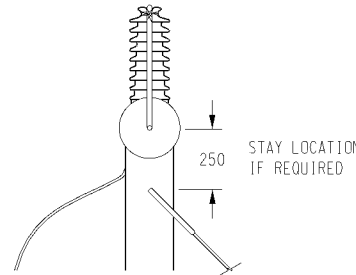
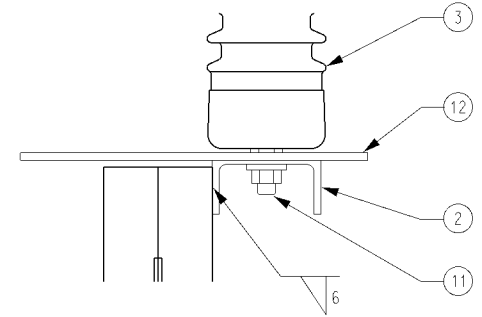


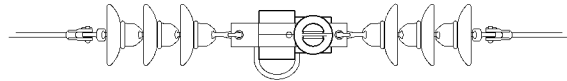
ELEVATION



END ELEVATION



DETAIL



PLAN

16	4	LUG, 35sq.mm		282277
15	-	Cu DROPPER CABLE, 35sq.mm PE/PVC, (19/1.53, 17mmDIA)	S2-1-1-5	9092
14	3	CLAMP LIVE LINE	S1-1-4-17	2139
13	3	CLAMP, ALUMINIUM BAIL (CHECK POSSIBLE MIN DIA OF CONDUCTOR)	S1-1-4-10	5603
12	1	SHACKLE STRAP	S1-1-4-5	9183
11	1	BOLT M24 50 LONG CW NUT		
10	2	BALL HOOK, LONG SHANK	S1-1-4-2	3111
9	6	SUSPENSION INSULATOR (including security clip)	S1-1-3-2	3012
8	2	SOCKET TONGUE	S1-1-4-3	3087
7	2	THIMBLE CLEVIS	S1-1-4-3	6767
6	2	PREFORMED DEADEND	S1-1-4-18	3335/3426
5	-	CONDUCTOR 3/2.75 SC/AC OR 3/4/2.50ACSR/GZ		8748/1610
4	1	TIE WIRE	S1-2-1-2	8839
3	1	POST INSULATOR		
2	1	INSULATOR MOUNTING BRACKET	S25-2-3-1	NEW
1	1	13.5C POLE	S1-1-1-2	11122
TAG NO	QTY	DESCRIPTION	DRG REF	STOCK CODE

MATERIALS

POWER STANDARD DRAWING

SINGLE WIRE EARTH RETURN
DISTRIBUTION TRANSFORMER POLE
TERMINATION ASSEMBLY

DES	M. BOCK
DRN	R. INNES
CKD	S. SAWYER
APPD	F. ROBSON
SCALE	1:20
ISSUED	23/10/97
ALL DIM.	IN mm

A3

DRAWING
NUMBER

S25-2-2-02

1

AMD T

1	APPROVED FOR CONSTRUCTION.	RG1	SEP'99	MWB	FRR
NO	DESCRIPTION	DRN	DATE	CKD	APPD
AMENDMENTS					



NORTHERN TERRITORY

DRAFTING STANDARD TO A.S.1100

CAD PRODUCT - DO NOT AMMEND MANUALLY