

PAGE : 1 OF 2  
DATE : 22/11/89  
REVISION : 1  
DISTRIBUTION : VOLUME 1 HOLDERS  
PREPARED BY : ALAN BUTLER  
AUTHORISED BY : BRIAN KENT

**STANDARDS BRANCH  
- Power Division**

---

**STANDARDS BULLETIN No. : S1-023**

---

SUBJECT: **STRIPLE FUSES**

---

Attached is a drawing showing two types of Striple fuses. One with insulated withdrawal lugs. There have been instances of the insulated lugs separating from the fuse during withdrawal.

Use of these fuses is to be discontinued, in favor of the non- insulated type shown on the right.

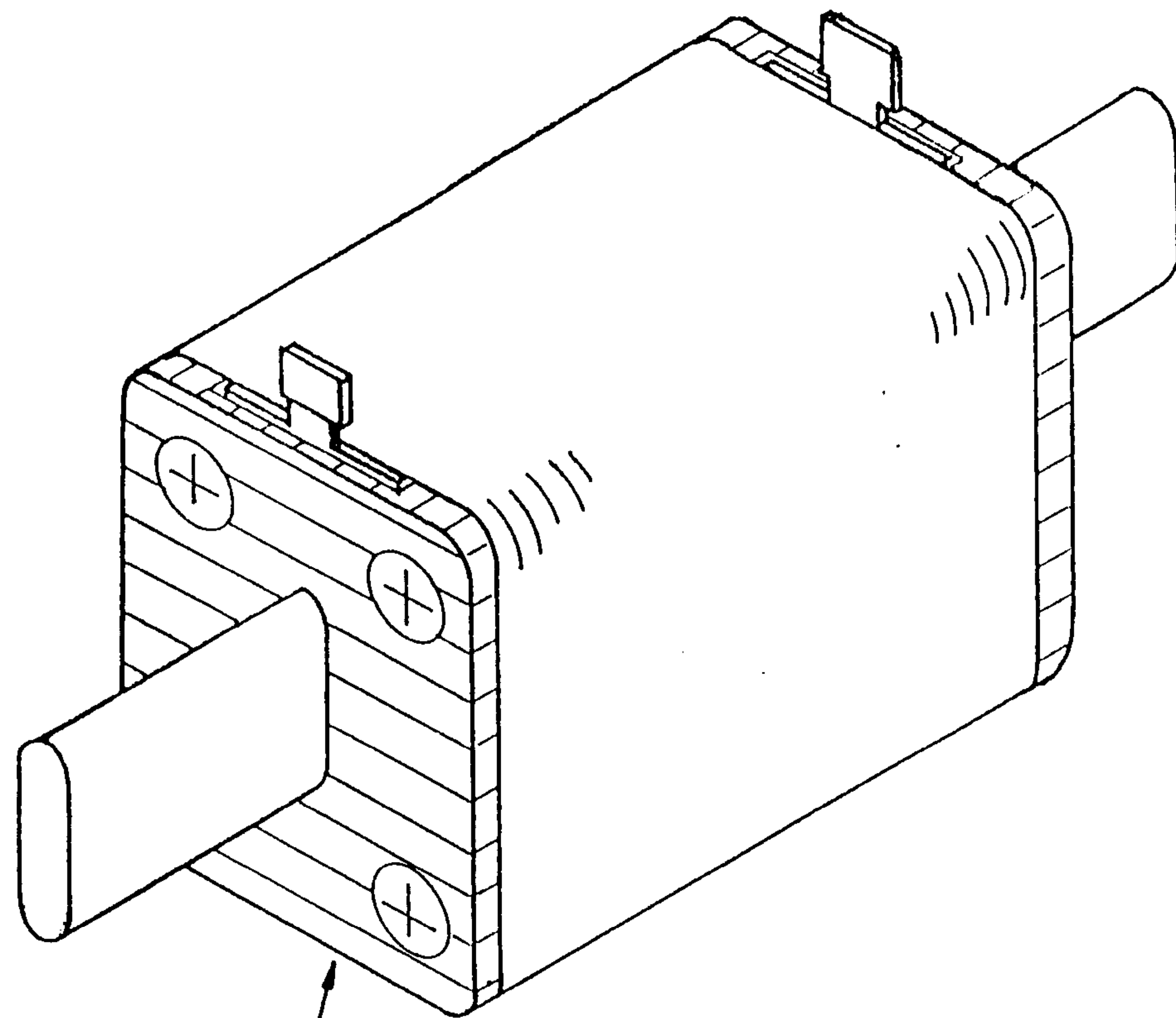
Care must be taken when removing fuses with insulation lugs.

A handwritten signature in black ink, appearing to read 'B. Kent'.

**BRIAN KENT  
STANDARDS MANAGER POWER**

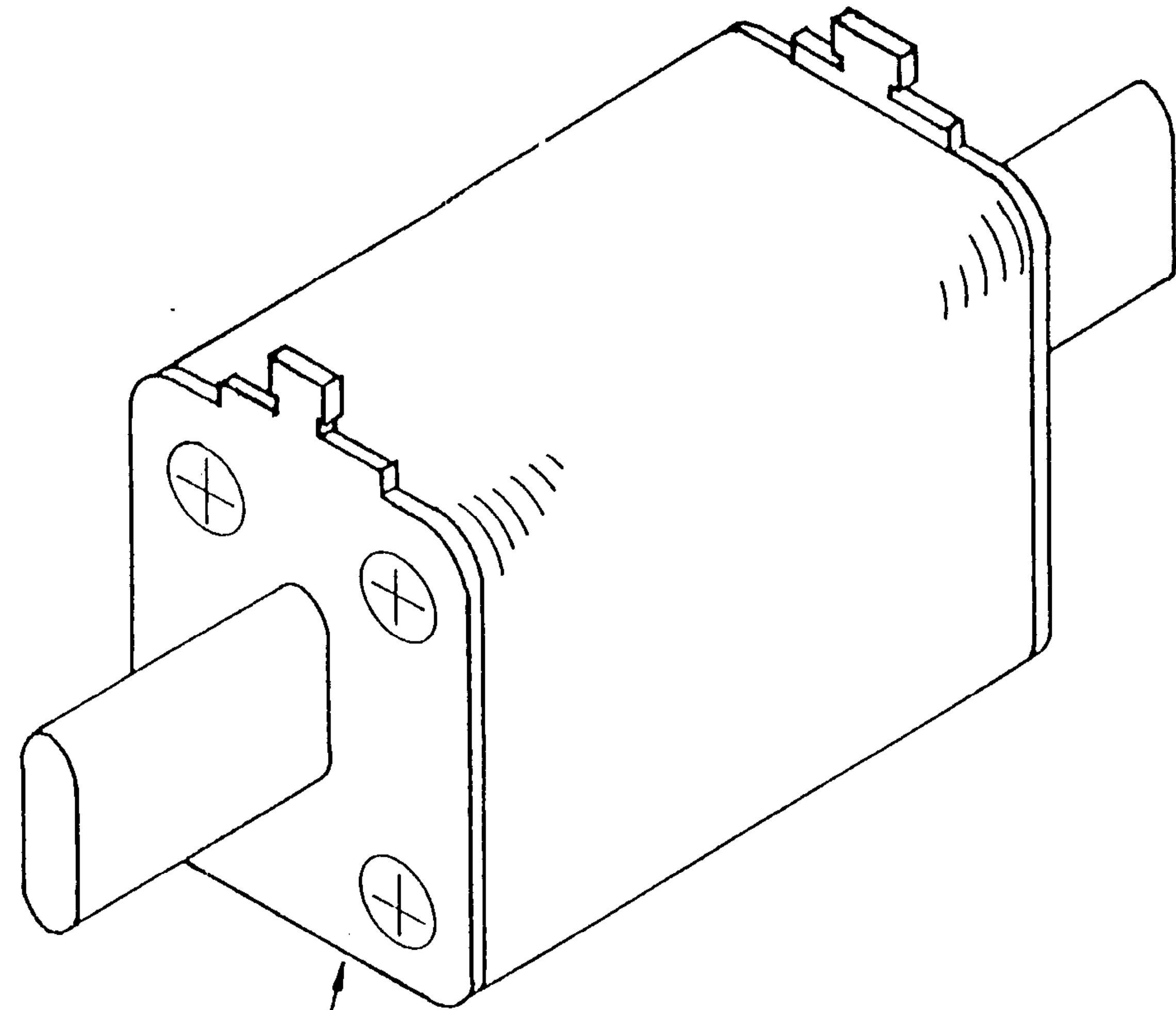
# STRIPLE FUSES

---



BLACK INSULATED  
PLATE

UNSAFE



METAL PLATE

SAFE