

PAGE : 1 of 2
DATE : 28/4/87
REVISION : 0
DISTRIBUTION : Volume 1 Holders
PREPARED BY : A Mitchell
AUTHORISED BY : Brian Kent

**STANDARDS BRANCH
- Power Division**

STANDARDS BULLETIN No. : S1-009

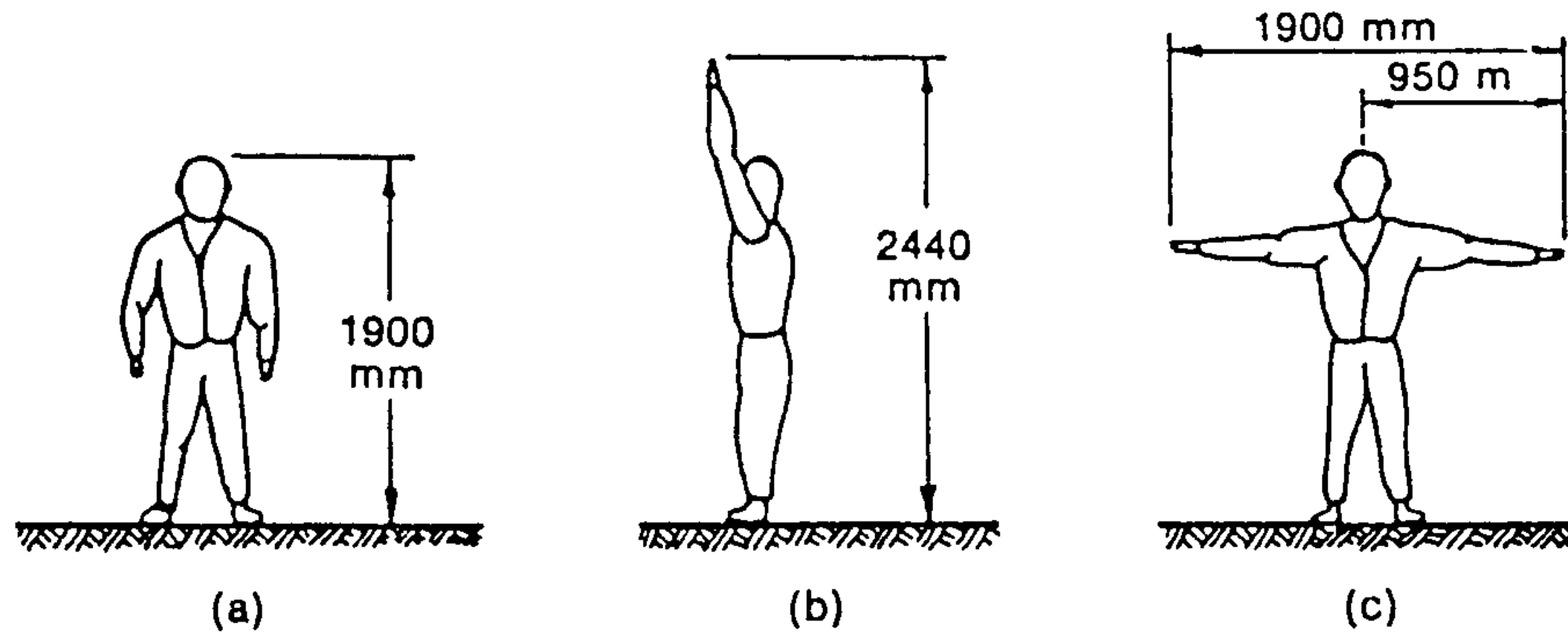
SUBJECT: SECTION SAFETY CLEARANCES

Designers of switchyards, switching stations and other electrical apparatus should be aware that the maintenance of the section safety clearance is mandatory.

Section safety clearance may be defined as the minimum distance required between unshielded live parts and the ground, operating platform or the floor of permanent walkway used for operational purposes, or the position to which access may be given to carry out maintenance work on equipment made dead for the purpose. This section safety clearance is the sum of the ground safety distance (2440mm) and the non-flashover distance (see attached).

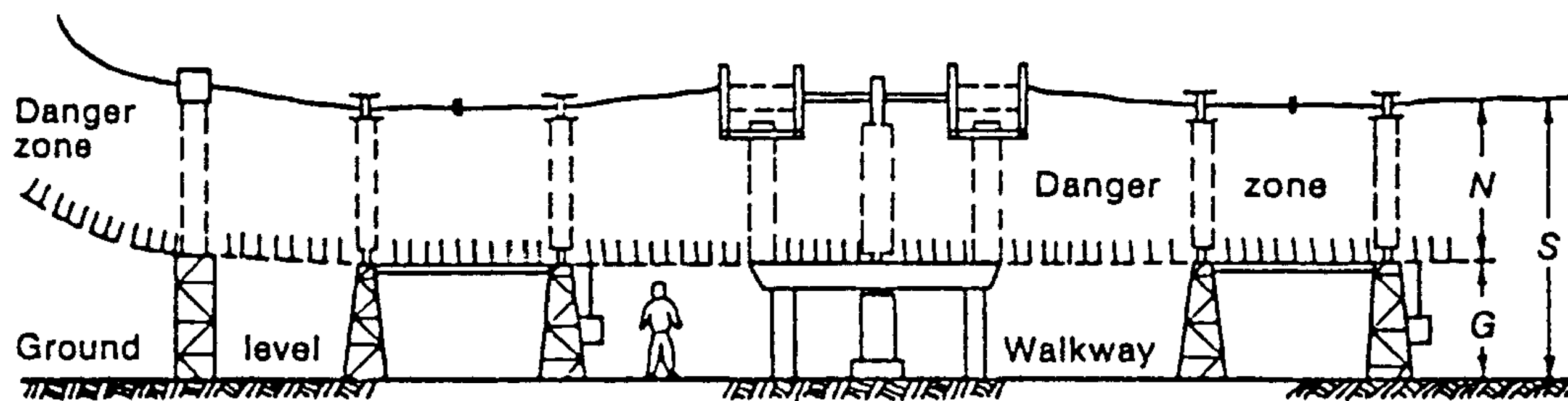
This information is contained in Australian Standard 2067-1984 "Switchgear Assemblies and Ancillary Equipment for Alternating Voltages Above 1KV".

BRIAN KENT
STANDARDS MANAGER POWER

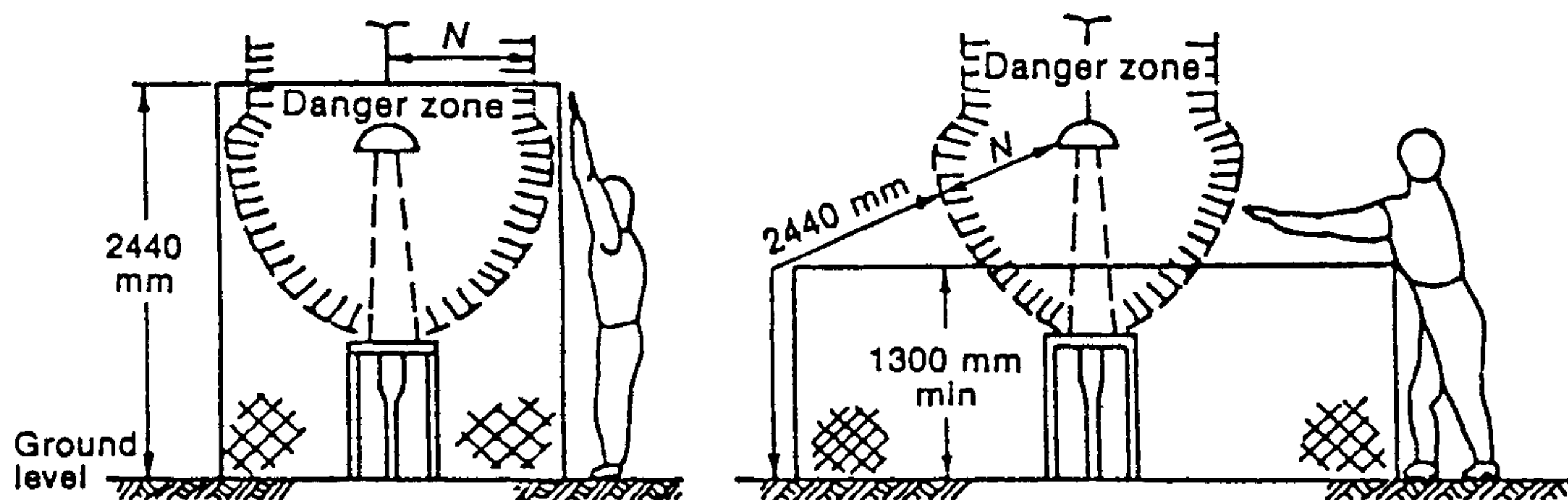


NOTE: Extreme dimensions include an allowance for small hand tools.

Fig. G1. DIMENSIONS OF TALL OPERATOR OR WORKMAN



(a) Dimensions for access at ground level



G = ground safety distance (2440 mm)
 N = non-flashover distance
 S = section safety clearance ($G + N$)

(b) Dimensions for fixed safety screens

Fig. G2. SAFETY CLEARANCES FOR OPERATIONAL PURPOSES

COPYRIGHT