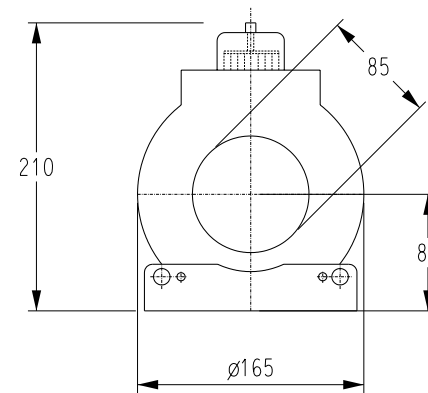
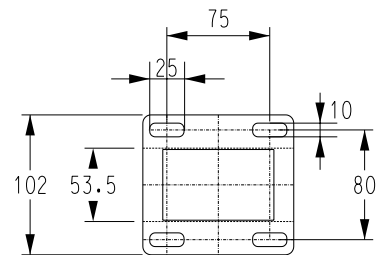


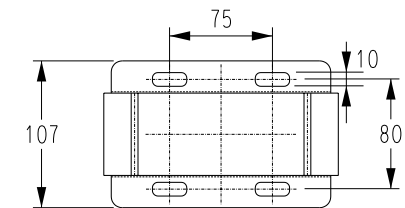
TYPE S - ITEM 1

STOCK CODE: 406901



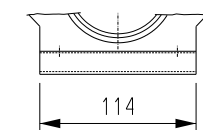
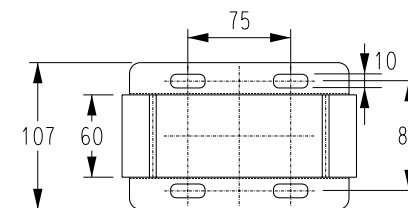
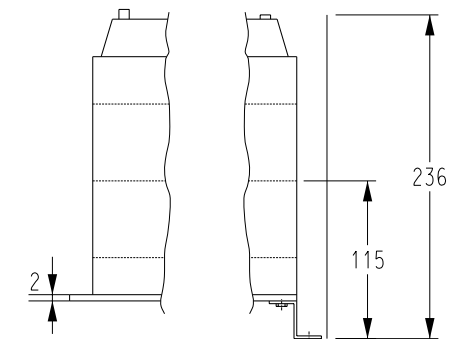
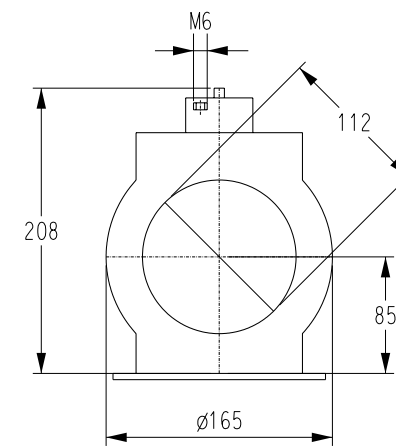
TYPE T - ITEM 2

STOCK CODE: 406902



MATERIAL & CONSTRUCTION

- ENCAPSULATION - EPOXY RESIN
- OUTER CASE - FIBREGLASS FILLED POLYESTER RESIN
- TERMINAL COVER - ROUND CLEAR POLYCARBONATE
- TERMINAL COVER SEALING SCREWS - BRASS, NICKEL PLATED
- TERMINALS - 6mm, BRASS, SILVER PLATED WITH SILVER
- PLATED NUTS. SPRING WASHERS - STAINLESS STEEL



TYPE W - ITEM 3

STOCK CODE: 406903

SPECIFICATIONS:	TYPE S	TYPE T	TYPE W
CURRENT RATIO (Ip/Is)	200/5A	800/5A	1500/5A
ACCURACY CLASS:	0.5S		
BURDEN/VA:	0.2 OHM/5 VA	0.6 OHM/15 VA	0.6 OHM/15 VA
EXTENDED PRIMARY CURRENT:	200%		
RANGE OF LOADING:	2A TO 400A	8A TO 1600A	15A TO 3000A
THERMAL LIMIT CURRENT:	200%		
SHORT TIME CURRENT:	40KA/0.5 sec		
FREQUENCY:	50HZ		
INSULATION LEVEL:	3KV		
SYSTEM VOLTAGE:	0.72KV		
BASE:			LOW
MOUNTING BRACKETS:	ANODISED ALUMINIUM	ZINC PLATED STEEL	ZINC PLATED STEEL

1	STOCK CODES ADDED	K.I.	15.03.07	R.S.	S.C.	PowerWater	DES R.S.	POWER STANDARD DRAWING		
	NO						DESCRIPTION	DRN	DATE	CKD
							ISSUED JAN'07	A3	DRAWING NUMBER S11-2-7-44	1 AMDT
							ALL DIM. IN mm		CAD PRODUCT - DO NOT AMEND MANUALLY	
							DRAFTING STANDARD TO A.S.1100			