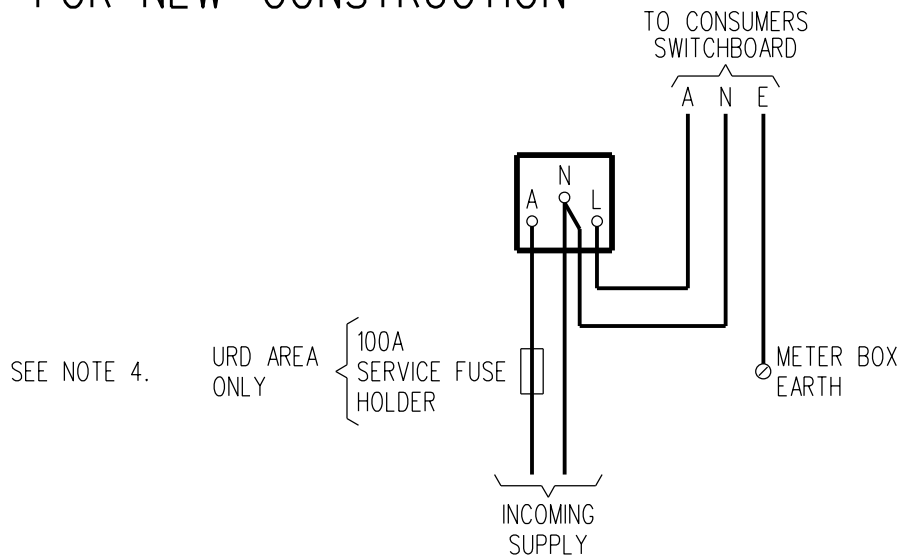


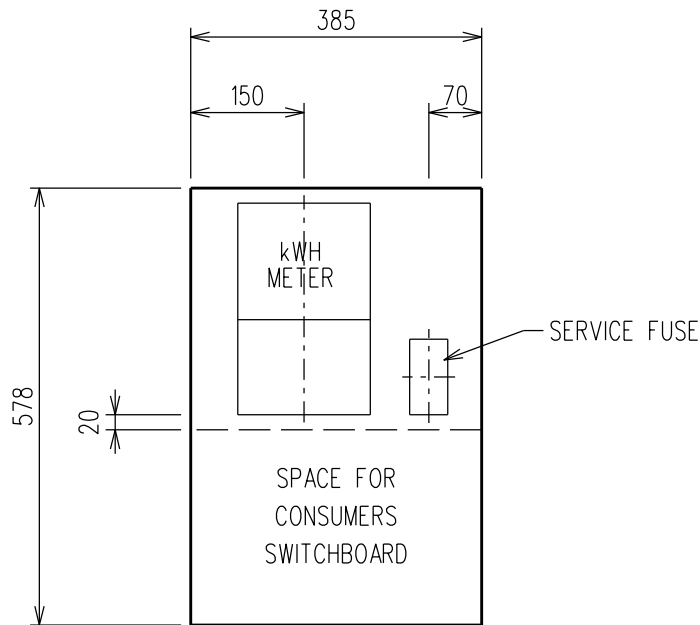
NOT FOR NEW CONSTRUCTION



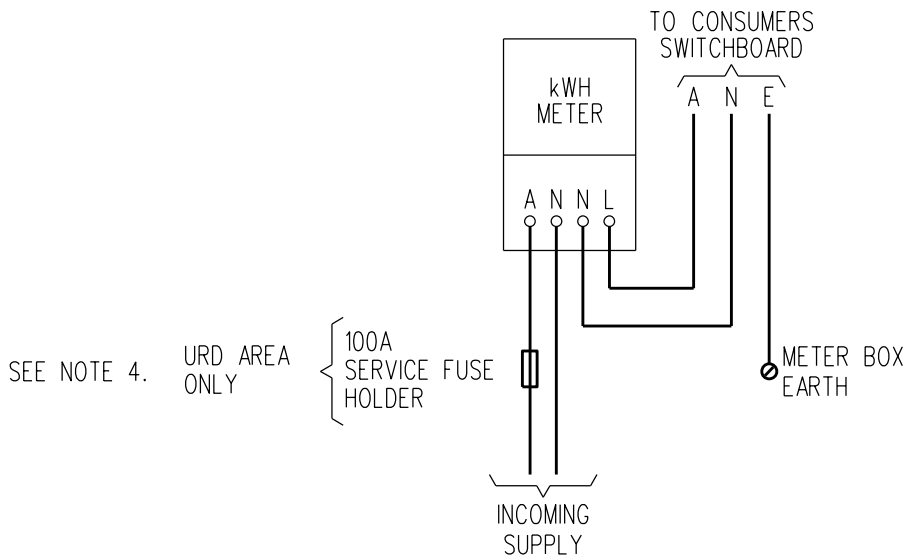
NOTES :

1. FOR COMPONENT DRILLING DETAILS SEE FIG. 22
2. TOP OF SERVICE FUSE (WHEN FITTED) SHALL BE LIVE.
3. METER BOX EARTH SHALL BE CONNECTED TO INSTALLATION MAIN EARTH.
4. UNDERGROUND RESIDENTIAL DISTRIBUTION.

PowerWater	1	CHANGED TO SHEET 1 OF 3	C.M.	01.13	B.N.	DES DRN A.SCHMID CKD APPD SCALE 1:10 ISSUED ALL DIM. IN mm	FIG.2 - METERING PANEL FOR 1 METER AND CONSUMER SWITCHBOARD SHEET 1 OF 3
	0	SHEET 2 ADDED	J.C.	09.09	A.T.		
	A	ISSUED FOR COMMENT	A.S.	15.10	2		
	ND	DESCRIPTION	DRN	DATE	APPD		
	AMENDMENTS						



NOT FOR NEW CONSTRUCTION

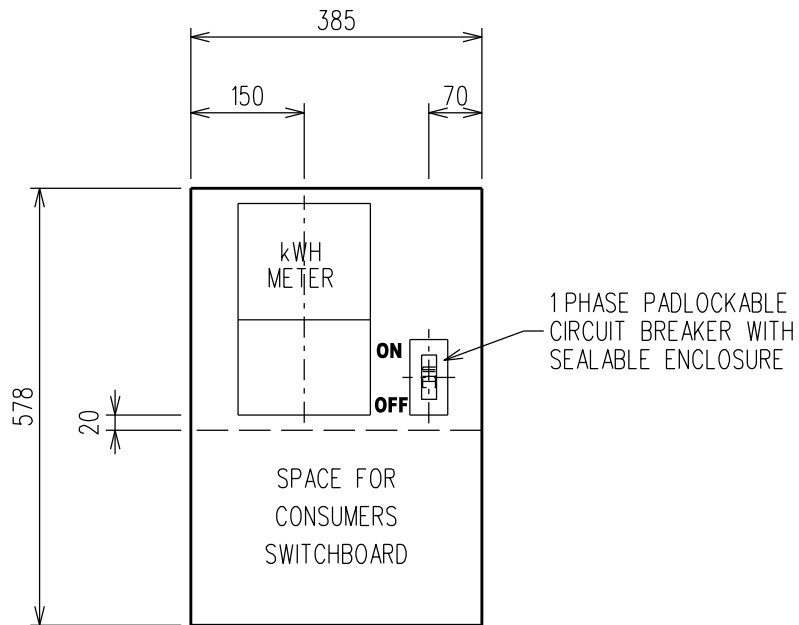


SEE NOTE 4. URD AREA ONLY

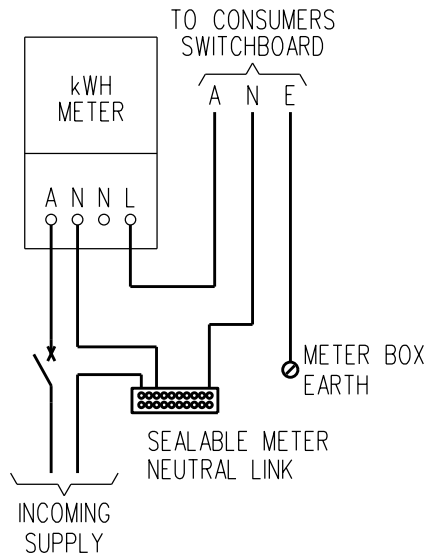
NOTES :

1. FOR METER DRILLING DETAILS SEE FIG 22 SHEET 2
2. TOP OF SERVICE FUSE (WHEN FITTED) SHALL BE LIVE.
3. METER BOX EARTH SHALL BE CONNECTED TO INSTALLATION MAIN EARTH.
4. UNDERGROUND RESIDENTIAL DISTRIBUTION

					DES N.COAD	FIG.2A - METERING PANEL FOR 1 METER AND CONSUMER SWITCHBOARD SHEET 2 OF 3	
					DRN R.WILLIAMS		
	2	CHANGED TO SHEET 2 OF 3	C.M.	01.13	B.N.		CKD N.COAD
	1	SHEET 2 ADDED	J.C.	9.9.09	A.T.		APPD B.KISON
	0	APPROVED FOR INSTALLATION	R.W.	4.9.09	N.C.		SCALE 1:10
	A	ISSUED FOR COMMENT	R.W.	4.9.09	N.C.	ISSUED 4.9.09	
	NO	DESCRIPTION	DRN	DATE	APPD	ALL DIM. IN mm	
AMENDMENTS						A4 DRAWING NUMBER S11-2-7-2_2	
						DRAFTING STANDARD TO A.S.1100	CAD PRODUCT — DO NOT AMEND MANUALLY AMDT



SEE NOTE 4. { 1 PHASE PADLOCKABLE CIRCUIT BREAKER WITH SEALABLE ENCLOSURE



NOTES :

1. FOR METER DRILLING DETAILS SEE METERING STD DWG S11-2-7-23 SHEET 2
2. SINGLE PHASE CIRCUIT BREAKER SHALL BE PADLOCKABLE IN THE OFF POSITION AND INSTALLED AS SHOWN ABOVE
3. METER BOX EARTH SHALL BE CONNECTED TO INSTALLATION MAIN EARTH.
4. THE MAIN SWITCH SHALL BE A CIRCUIT BREAKER WITH INTEGRAL PADLOCKING ARRANGEMENT. (RATED 63A, 10kA, C CURVE TYPE CIRCUIT BREAKER AND SEALABLE ENCLOSURE.)
5. FOR METER PANELS FITTED WITH PADLOCKABLE CIRCUIT BREAKERS A 100A FUSE SHALL BE INSTALLED IN THE URD PILLER OR OVERHEAD SERVICE FUSE HOLDER.

				DES B.NARAYANA	FIG.2B - METERING PANEL FOR 1 METER AND CONSUMER SWITCHBOARD SHEET 3 OF 3	
				DRN C.McLAREN		
				CKD B.NARAYANA		
				APPD B.NARAYANA		
				SCALE 1 : 10		
PowerWater	1	NOTE 5 ADDED	A.T.	MAR'14	B.C.	ISSUED 01.13
	0	APPROVED FOR INSTALLATION	CM	01.13	BN	
	NO	DESCRIPTION	DRN	DATE	APPD	ALL DIM. IN mm
AMENDMENTS						DRAFTING STANDARD TO A.S.1100
						CAD PRODUCT — DO NOT AMEND MANUALLY
						A4 DRAWING NUMBER S11-2-7-2_3
						AMD T