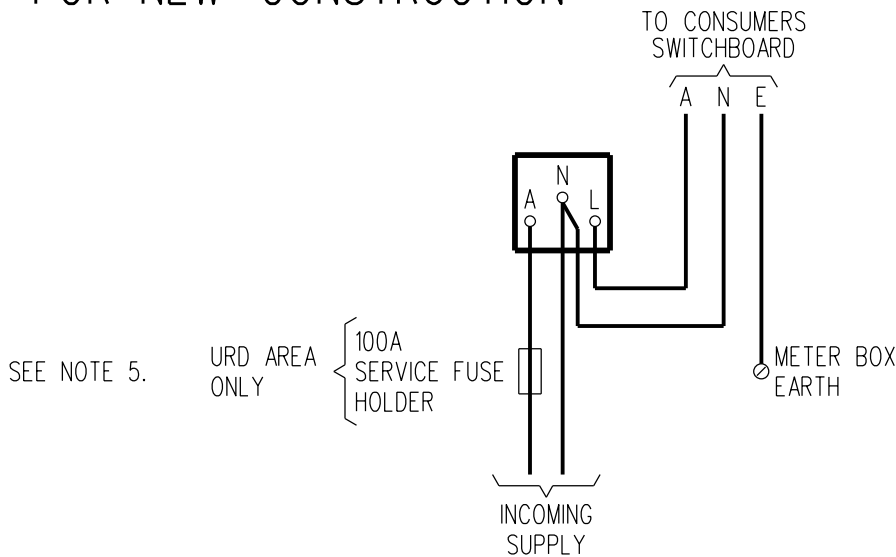


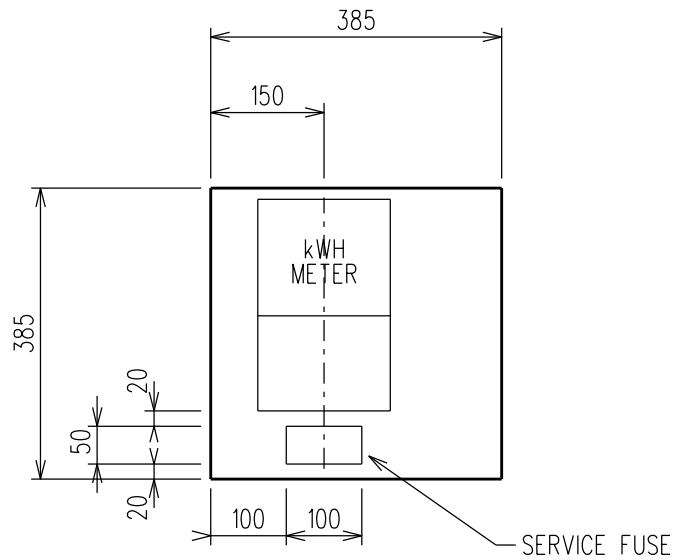
NOT FOR NEW CONSTRUCTION



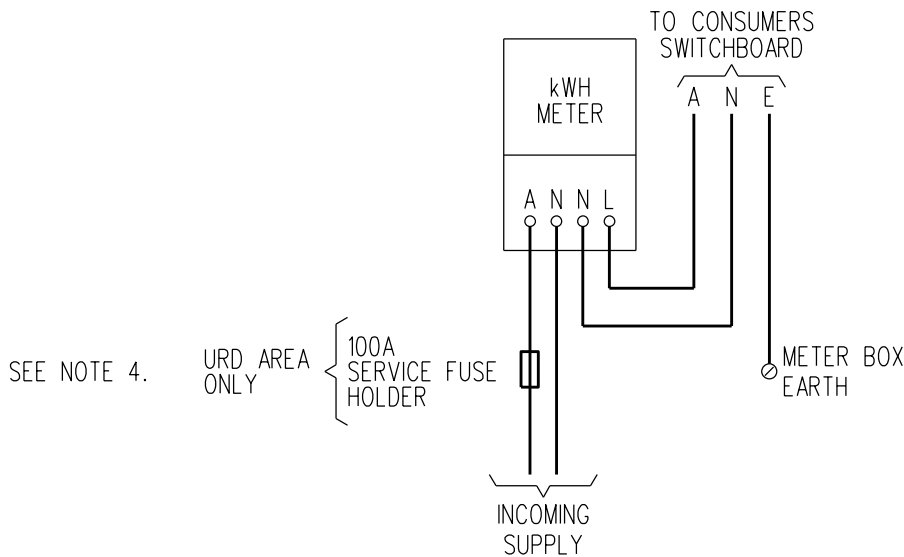
NOTES :

1. FOR COMPONENT DRILLING DETAILS SEE FIG. 22
2. TOP OF SERVICE FUSE (WHEN FITTED) SHALL BE LIVE.
3. COMPONENTS ARE ARRANGED ON PANEL TO ALLOW A SECOND METER TO BE ADDED IF REQUESTED. SEE FIG. 3.
4. METER BOX EARTH SHALL BE CONNECTED TO INSTALLATION MAIN EARTH.
5. UNDERGROUND RESIDENTIAL DISTRIBUTION.

PowerWater	2	CHANGED TO 1 OF 3	C.M.	22.1.13	B.N.	DES	FIG.1 - METERING PANEL FOR 1 METER
	1	SHEET 2 ADDED	J.C.	09/09	A.T.		DRN
	A	ISSUED FOR COMMENT	A.S.	14.1.02		CKD	
						APPD	
						SCALE	1 : 10
						ISSUED	
						ALL DIM. IN mm	
						A4	DRAWING NUMBER S11-2-7-1_1
							AMDT



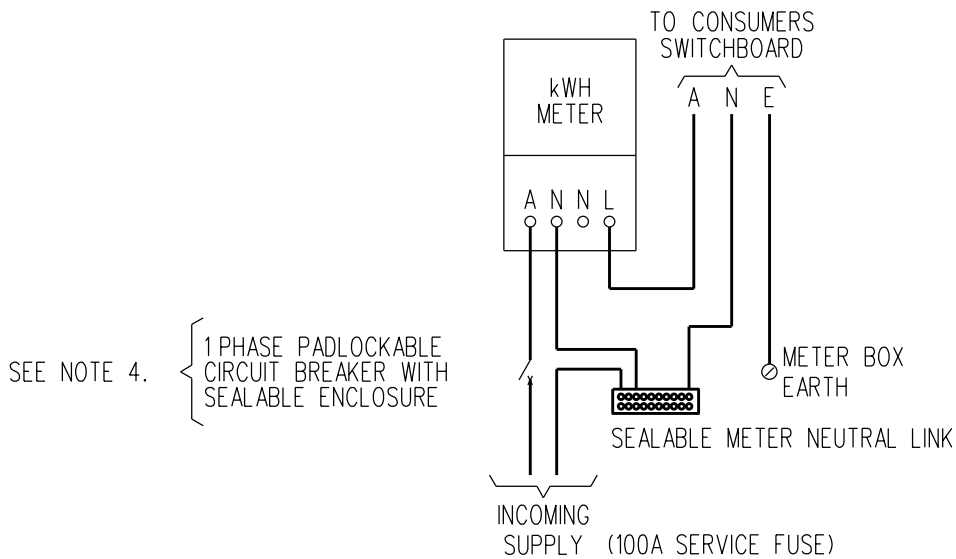
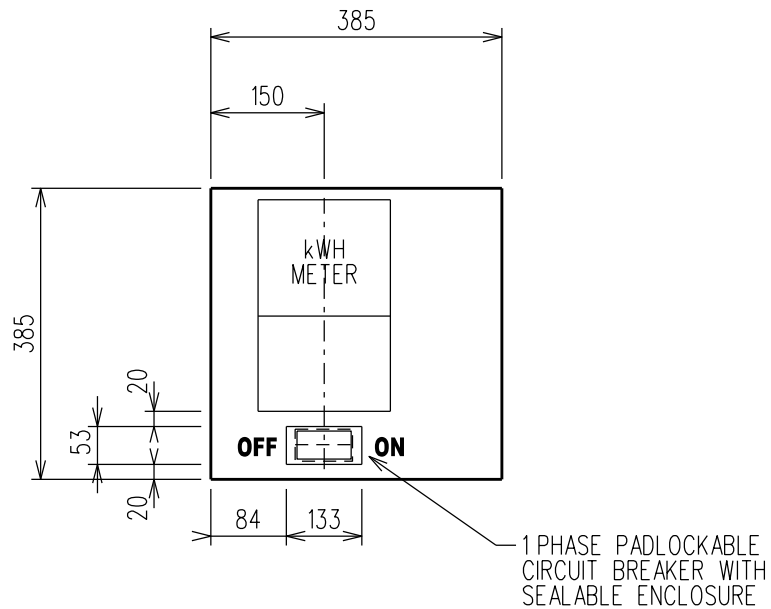
NOT FOR NEW CONSTRUCTION



NOTES :

1. FOR METER DRILLING DETAILS SEE FIG 22 SHEET 2
2. TOP OF SERVICE FUSE (WHEN FITTED) SHALL BE LIVE
3. METER BOX EARTH SHALL BE CONNECTED TO INSTALLATION MAIN EARTH.
4. UNDERGROUND RESIDENTIAL DISTRIBUTION

PowerWater					DES N.COAD	FIG.1A - METERING PANEL FOR 1 METER SHEET 2 OF 3	
					DRN R.WILLIAMS		
	2	CHANGED TO SHEET 2 OF 3 (NFNC)	C.M.	01.13	B.N.		CKD N.COAD
	1	SHEET 2 ADDED	J.C.	9.9.09	A.T		APPD B.KISON
	0	APPROVED FOR INSTALLATION	R.W.	4.9.09	N.C.		SCALE 1 : 10
A	ISSUED FOR COMMENT	R.W.	4.9.09	N.C.	ISSUED 4.9.09	A4 DRAWING NUMBER S11-2-7-1_2	
NO	DESCRIPTION	DRN	DATE	APPD	ALL DIM. IN mm		
AMENDMENTS					DRAFTING STANDARD TO A.S.1100	AMD T	



NOTES :

1. FOR METER DRILLING DETAILS SEE METERING STD DWG S11-2-7-23 SHEET 2
2. SINGLE PHASE CIRCUIT BREAKER SHALL BE PADLOCKABLE IN THE OFF POSITION AND INSTALLED IN THE HORIZONTAL POSITION AS SHOWN ABOVE.
3. METER BOX EARTH SHALL BE CONNECTED TO INSTALLATION MAIN EARTH.
4. THE MAIN SWITCH SHALL BE A CIRCUIT BREAKER WITH INTEGRAL PADLOCKING ARRANGEMENT WITH SEALABLE ENCLOSURE. (AND RATED 63A, 10kA, C CURVE TYPE CIRCUIT BREAKER.)
5. FOR METER PANELS FITTED WITH PADLOCKABLE CIRCUIT BREAKERS A 100A FUSE SHALL BE INSTALLED IN THE URD PILLER OR OVERHEAD SERVICE FUSE HOLDER.

PowerWater					DES N.COAD	FIG.1B - METERING PANEL FOR 1 METER SHEET 3 OF 3	
					DRN R.WILLIAMS		
	4	NOTE 5 ADDED	C.C.	01.14	B.C.		CKD N.COAD
	3	APPROVED FOR INSTALLATION	C.M.	06.12	B.N.		APPD B.KISON
	2	ISSUED FOR COMMENT	C.M.	8.10	S.C.		SCALE 1 : 10
	1	SHEET 2 ADDED	J.C.	9.9.09	A.T	ISSUED 4.9.09	
	NO	DESCRIPTION	DRN	DATE	APPD	ALL DIM. IN mm	
	AMENDMENTS					A4	DRAWING NUMBER S11-2-7-1_3
						DRAFTING STANDARD TO A.S.1100	CAD PRODUCT — DO NOT AMEND MANUALLY
						AMD T	4