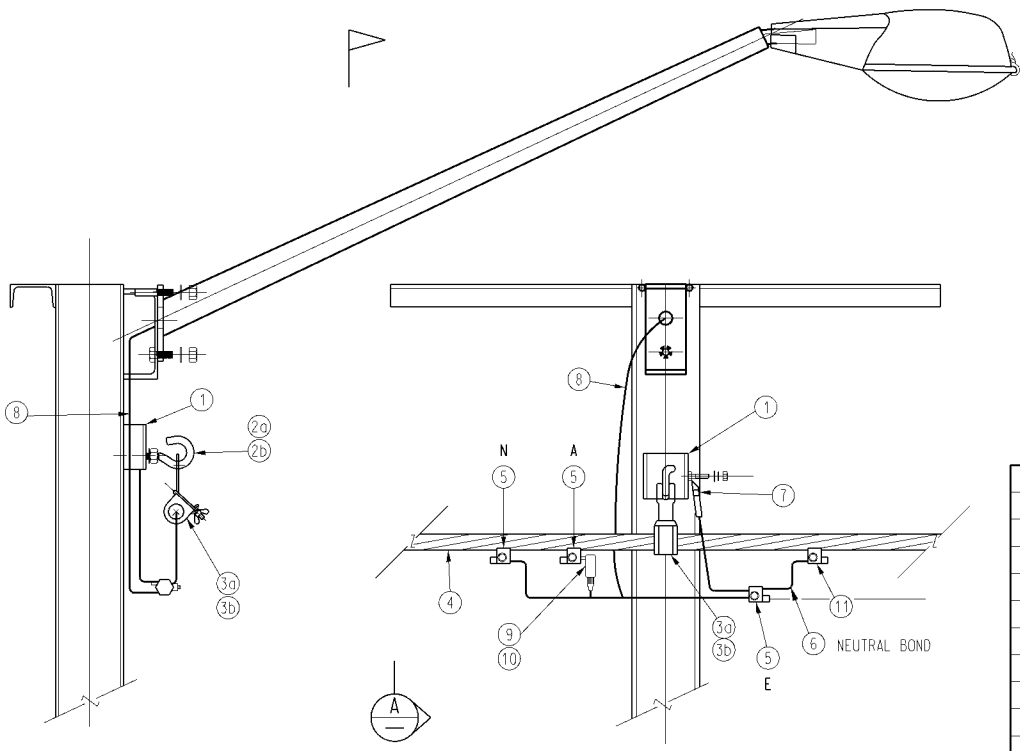


3RD ANGLE -DO NOT SCALE - REPORT ANY ERRORS, OMISSIONS TO DRAFTING OFFICE



NOTES

1. NEUTRAL TO BE BONDED ON EVERY POLE.
2. COPPER NEUTRAL BOND TO BE FITTED BELOW ALUMINIUM CONDUCTORS.
3. FOR CORRECT APPLICATION OF HOOK BOLTS REFER DRG. S4-2-2-2 FOR FULL DETAILS.
4. ALL LIGHT FITTINGS TO BE EARTHED VIA CONNECTION TO NEUTRAL BOND.

11	2	CONNECTOR, PIERCING 95/35	197723	S4-1-2-15
10	1	FUSE DIAZED 6Amp	197756	
9	1	FUSE ASSEMBLY STREET LIGHT	197749	
8	-	CABLE Cu TWIN + E 2.5sq.mm	2725	
7	1	LUG COMPRESSION 35sq.mm	156240	
6	-	CABLE Cu PVC 35sq.mm BLACK	1586	
5	1	CONNECTOR, PIERCING 95/16	198382	S4-1-2-15
4	-	CABLE LV ABC, 4x95sq.mm	197665	S4-1-1-1
3b	1	CLAMP SUSPENSION COMBINATION 4x95sq.mm	198408	S4-1-2-10
3a		CLAMP SUSPENSION 4x95sq.mm	197681	S4-1-2-10
2b	1	HOOK BOLT M16	197731	S4-1-2-7
2a		HOOK BOLT M16 NON-BREAKAWAY ASSEMBLY		S4-1-2-7
1	1	BRACKET HOOK MOUNTING	203679	S4-1-2-2
TAG No	QTY	DESCRIPTION	STOCK CODE	

VIEW **A**
SCALE 1:10

ELEVATION
SCALE 1:10

2	REDRAWN ON CAD	A.D	MAY'98	R. I.	F. R.
1	ITEM 5 STOCK CODE AND ITEM ALTERED, ELEVATION AMENDED	pmc	FEB'90	-	N. S.
NO	DESCRIPTION	DRN	DATE	CKD	APPD
AMENDMENTS					



DES	B.T.KENT	POWER STANDARD DRAWING			
DRN	A.DAVIS	ASSEMBLIES LV - ABC STREET LIGHT ONLY INTERMEDIATE SUSPENSION			
CKD	R.INNES				
APPD	F.ROBSON				
SCALE	AS SHOWN				
ISSUED	MAY'98	A3	DRAWING NUMBER	S4-2-1-17	2
ALL DIM. IN mm			DRAFTING STANDARD TO A.S.1100		