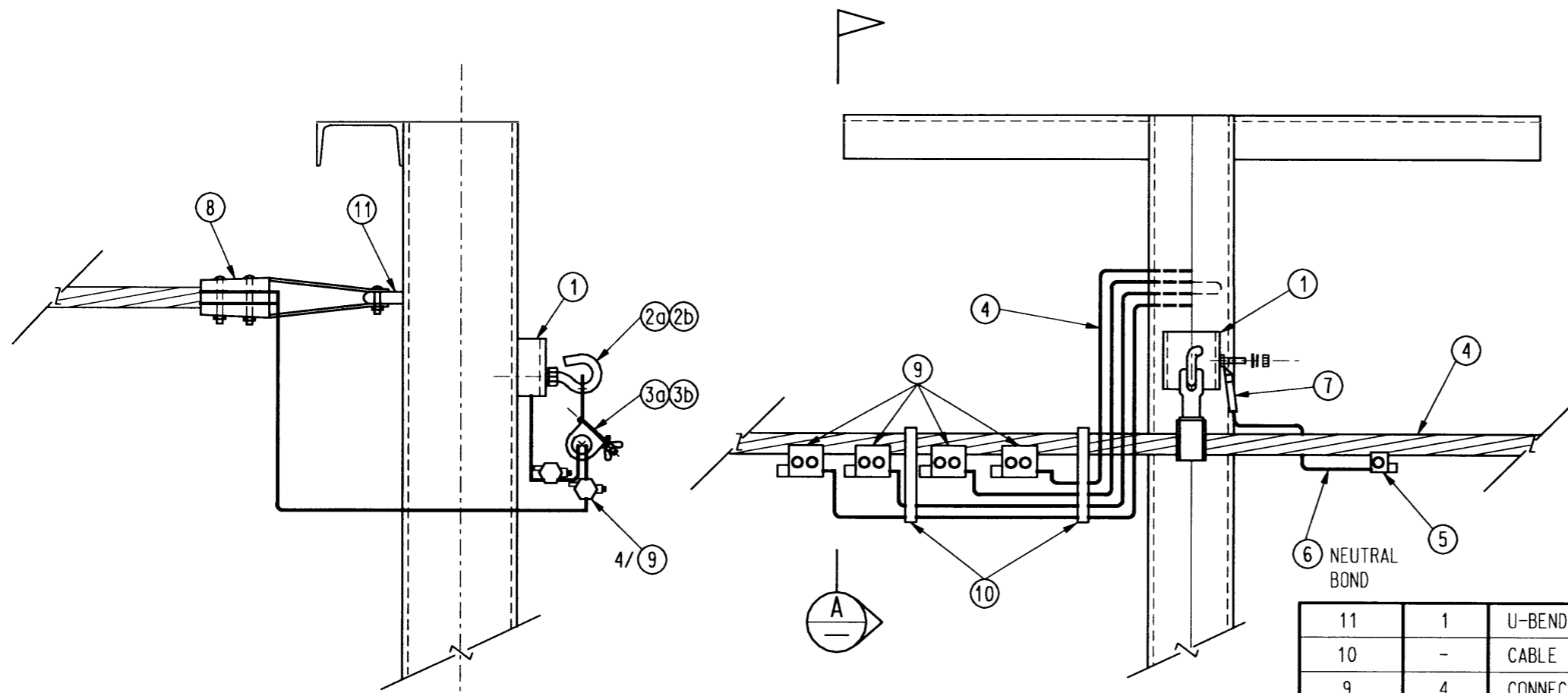


3RD ANGLE - DO NOT SCALE - REPORT ANY ERRORS, OMISSIONS TO DRAFTING OFFICE



NOTES

1. REFER SERVICING DRAWINGS FOR SERVICE ARRANGEMENTS.
2. CABLE TIES TO BE USED AS REQUIRED.

VIEW **A**
SCALE 1:10

ELEVATION
SCALE 1:10

TAG No	QTY	DESCRIPTION	STOCK CODE	DRG REF
11	1	U-BEND	9159	
10	-	CABLE TIE BLACK 8mm		
9	4	CONNECTOR PIERCING 95/95	197715	
8	1	CLAMP STRAIN 4x95mm	197707	
7	1	LUG COMPRESSION 35sq.mm	156240	
6	-	CABLE Cu PVC 35sq.mm	1586	-
5	1	CONNECTOR, PIERCING 95/35	197723	S4-1-2-15
4	-	CABLE LV ABC, 4x95sq.mm	197665	S4-1-1-1
3b	1	CLAMP SUSPENSION COMBINATION 4x95sq.mm	198408	S4-1-2-10
3a	1	CLAMP SUSPENSION 4x95sq.mm	197681	S4-1-2-10
2b	1	HOOK BOLT M16	197731	S4-1-2-7
2a	1	HOOK BOLT M16 NON-BREAKAWAY ASSEMBLY	-	S4-1-2-7
1	1	BRACKET HOOK MOUNTING	203679	S4-1-2-2

MATERIAL SCHEDULE

PRELIMINARY
ONLY

1.	REDRAWN ON CAD	A.D.	05/98	R.I.	F.R.
NO	DESCRIPTION	DRN	DATE	CKD	APPD
AMENDMENTS					



DES	B.T.KENT	POWER STANDARD DRAWING		
DRN	A.DAVIS	POLE TOP UNITS		
CKD	R.INNES	LV-ABC		
APPD	F.ROBSON	SUSPENSION ANGLE TEE-OFF		
SCALE	AS SHOWN	PROPERTY SIDE		
ISSUED	MAY'98	A3	DRAWING NUMBER	S4-2-1-12
ALL DIM.	IN mm			
DRAFTING STANDARD TO A.S.1100		CAD PRODUCT — DO NOT AMEND MANUALLY		AMDT