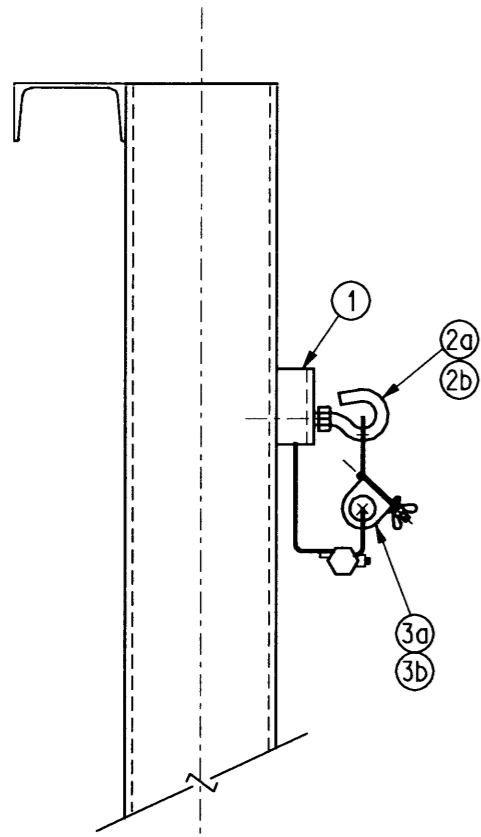
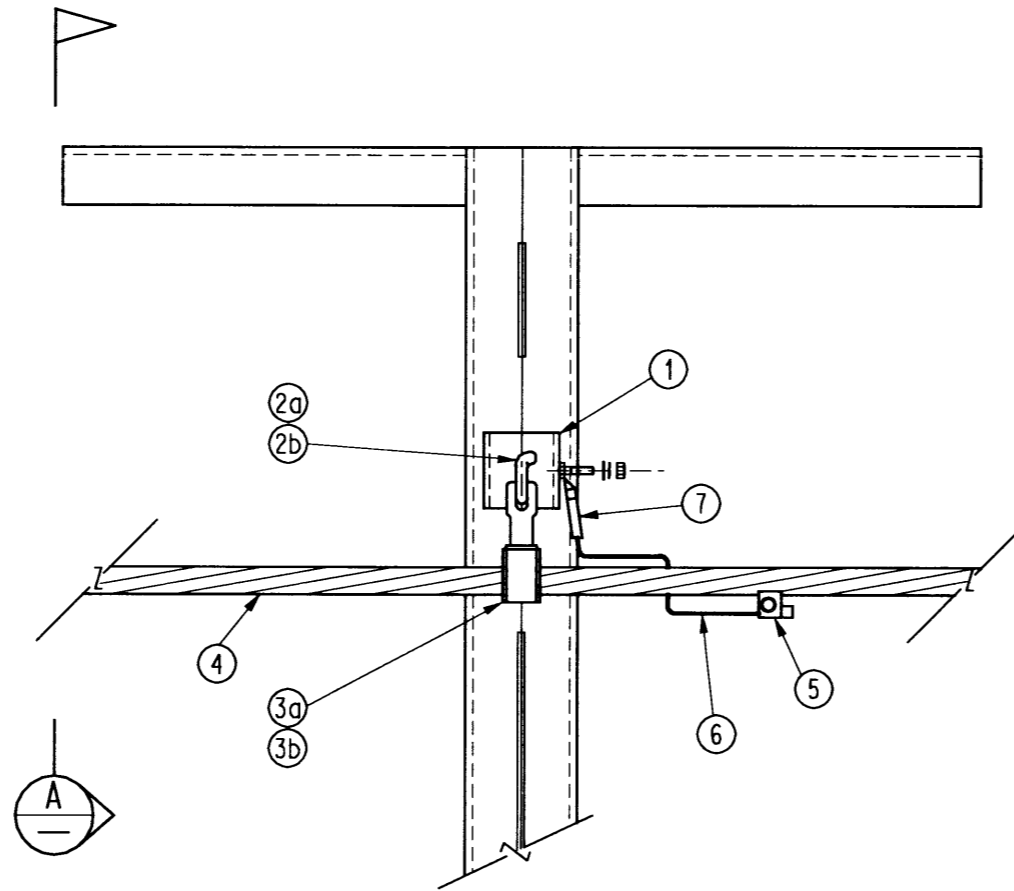


3RD ANGLE -DO NOT SCALE - REPORT ANY ERRORS, OMISSIONS TO DRAFTING OFFICE



VIEW **A**

SCALE 1:10



ELEVATION

SCALE 1:10

**NOTES**

1. NEUTRAL TO BE BONDED ON EVERY POLE.
2. COPPER NEUTRAL BOND TO BE FITTED BELOW ALUMINIUM CONDUCTORS.
3. FOR CORRECT APPLICATION OF HOOK BOLTS REFER DRG S4-2-2-2 & S4-2-2-4 FOR FULL DETAILS.

7	1	LUG COMPRESSION 35sq.mm	156240	
6	-	CABLE Cu PVC 35sq.mm BLACK	1586	-
5	1	CONNECTOR, PIERCING 95/35	197723	S4-1-2-15
4	-	CABLE LV ABC, 4x95sq.mm	197665	S4-1-1-1
3b	1	CLAMP SUSPENSION COMBINATION 4x95sq.mm	198408	S4-1-2-10
3a		CLAMP SUSPENSION 4x95sq.mm	197681	S4-1-2-10
2b	1	HOOK BOLT M16	197731	S4-1-2-7
2a		HOOK BOLT M16 NON-BREAKAWAY ASSEMBLY	-	S4-1-2-7
1	1	BRACKET HOOK MOUNTING	203679	S4-1-2-2
TAG No	QTY	DESCRIPTION	STOCK CODE	DRG REF

**MATERIAL SCHEDULE**

PRELIMINARY  
ONLY

1.	REDRAWN ON CAD	A.D.	05/98	R.I.	F.R.
NO	DESCRIPTION	DRN	DATE	CKD	APPD
AMENDMENTS					



DES	B.T.KENT	POWER STANDARD DRAWING		
DRN	A.DAVIS	ASSEMBLIES LV - ABC INTERMEDIATE SUSPENSION		
CKD	R.INNES			
APPD	F.ROBSON	A3	DRAWING NUMBER	S4-2-1-5
SCALE	AS SHOWN			
ISSUED	MAY'98			
ALL DIM.	IN mm			
DRAFTING STANDARD TO A.S.1100		CAD PRODUCT - DO NOT AMEND MANUALLY		AMD T