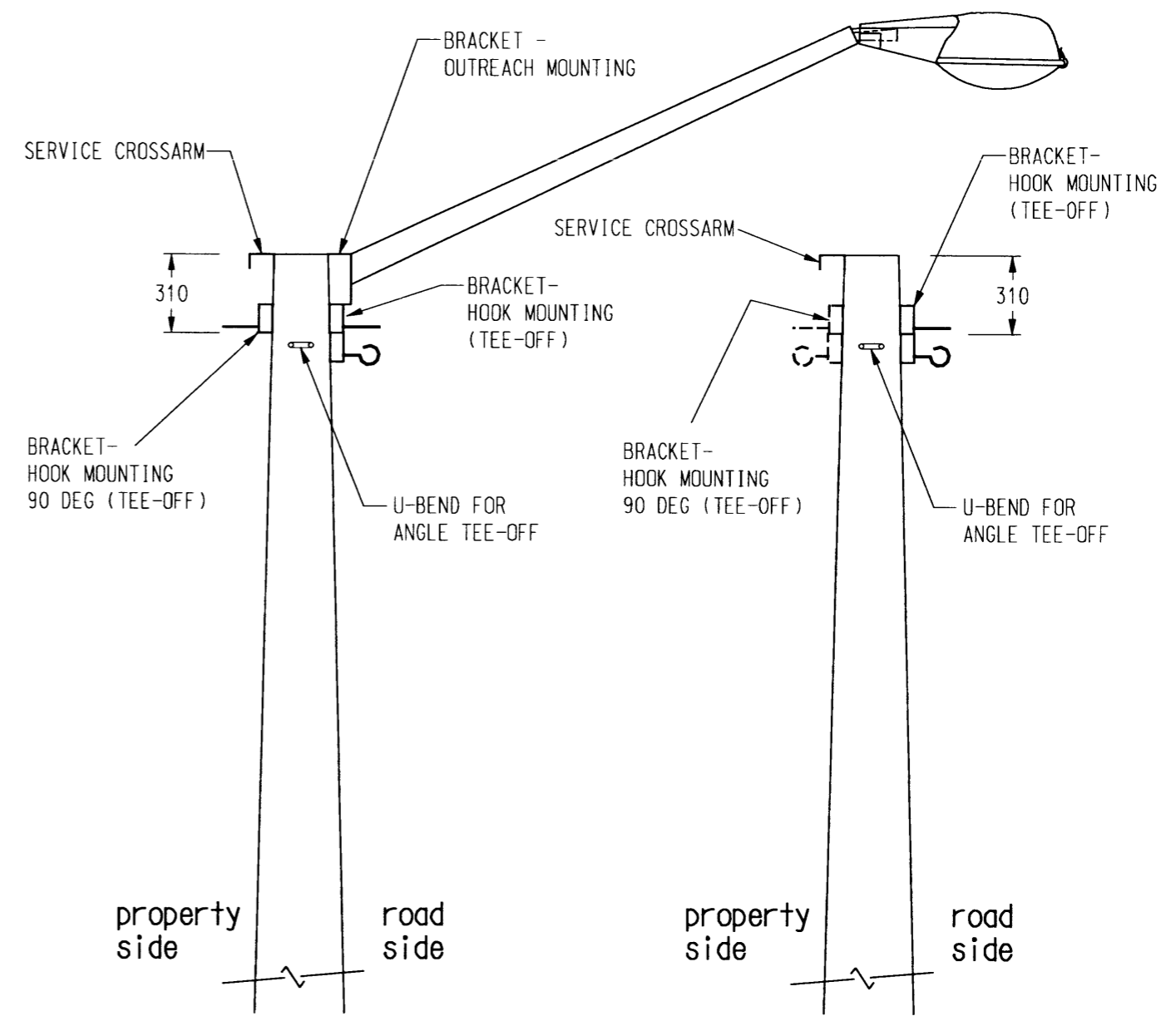
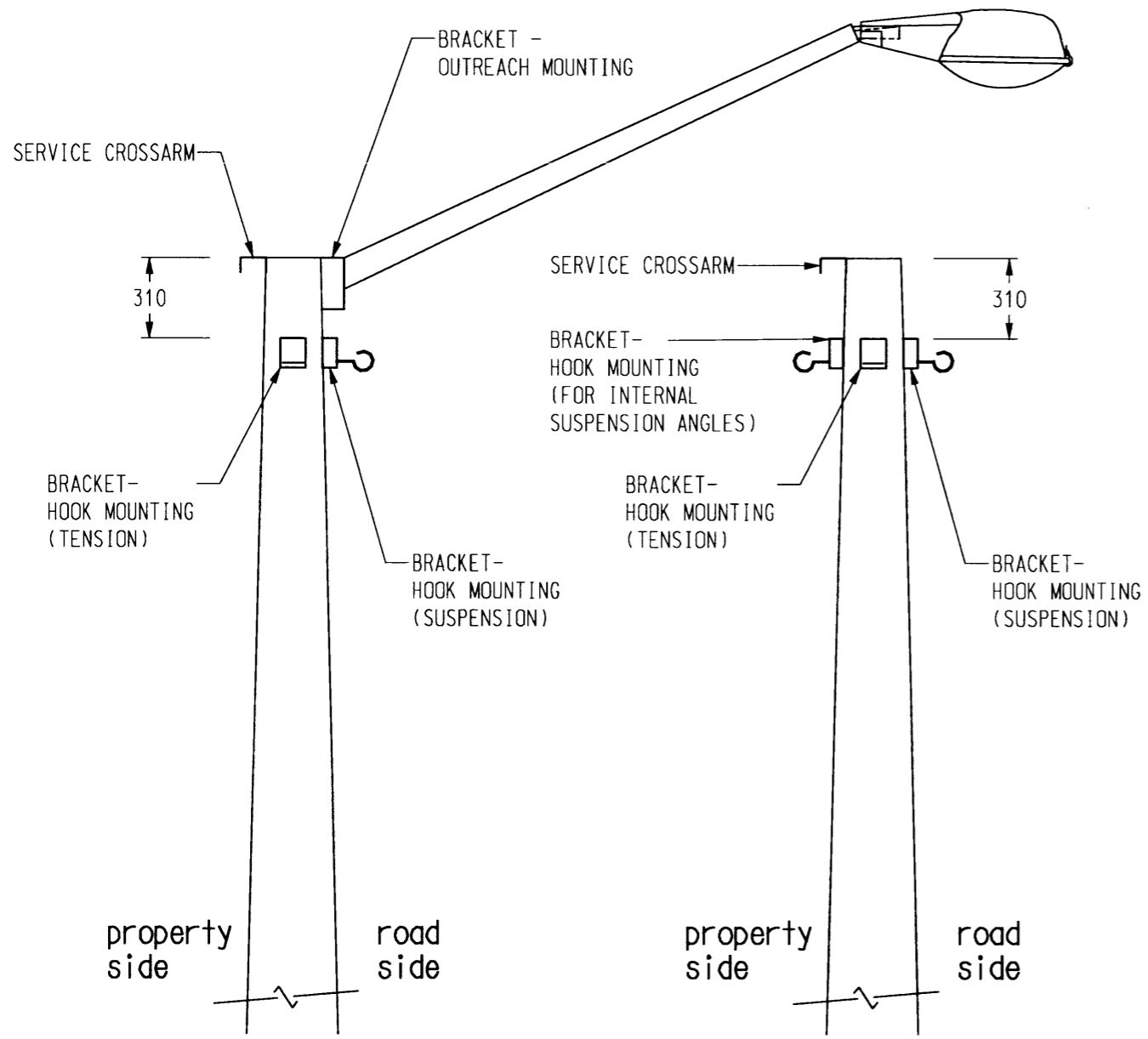


3RD ANGLE -DO NOT SCALE - REPORT ANY ERRORS, OMISSIONS TO DRAFTING OFFICE



NOTES :

1. USE HOOK MOUNTING BRACKET (STOCK CODE 203679) FOR SUSPENSION DEVIATION ANGLES UP TO 25 DEGREES, AND UP TO 50 DEGREES WITH ANGLE SPREADER.
2. TO CALCULATE POSITION OF BUNDLED CABLE ON POLE FOR SUSPENSION CONSTRUCTION ADD 200mm FROM TOP OF HOOK MOUNTING BRACKET.

PRELIMINARY ONLY

1	REDRAWN ON CAD	A.D	MAY'98	R. I.	F.R.
NO	DESCRIPTION	DRN	DATE	CKD	APPD
AMENDMENTS					



DES	B.T.KENT	POWER STANDARD DRAWING		
DRN	A.DAVIS	ASSEMBLIES		
CKD	R.INNES	LV - ABC		
APPD	F.ROBSON	LV POLE TOP ARRANGEMENT		
SCALE	N.T.S.	BRACKET - MOUNTING POSITION		
ISSUED	MAY'98	A3	DRAWING NUMBER	S4-2-1-4
ALL DIM.	IN mm			
DRAFTING STANDARD TO A.S.1100		CAD PRODUCT - DO NOT AMEND MANUALLY		AMDT