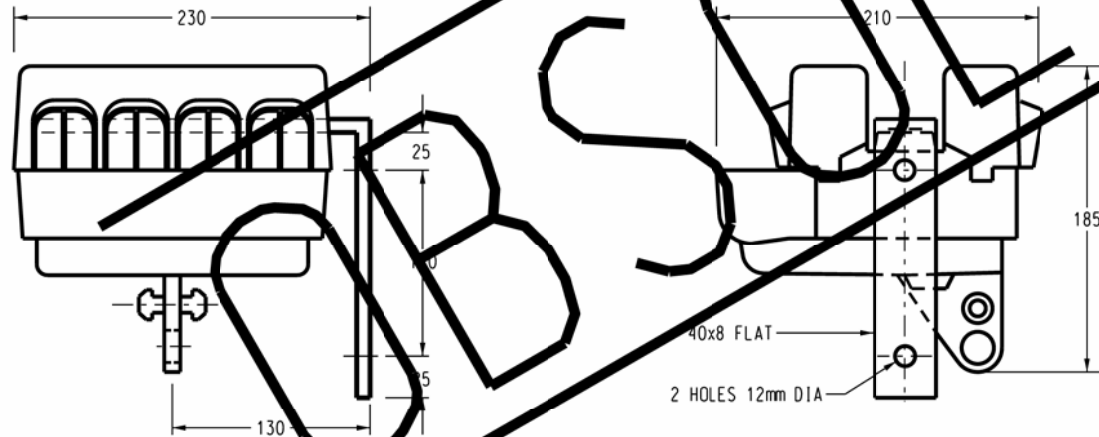
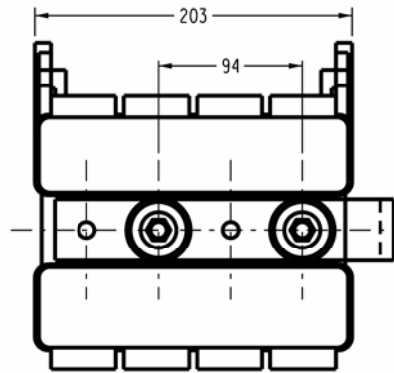


3RD ANGLE - DO NOT SCALE - REPORT ANY ERRORS, OMISSIONS TO DRAFTING OFFICE



NOTES :

1. UNIT TO BE SUPPLIED WITH GALVANIZED MOUNTING BRACKET.
2. ISOLATOR RATING = 250 AMP WITH LINK BLADES
= 160 AMP WITH FUSES

ITEM No.	DESCRIPTION	STOCK CODE
2	CARTRIDGE STRIPLE FUSE 160A FAST ACTING 500V AC SIZE 00 DIN 43-620	205088
3	LINK BLADE 160A 300V SIZE 00 DIN 43-620	205070

REFER TO S04-1-3-05 FOR 250A SWITCH ISOLATOR / FUSE

REFER TO S04-1-3-06 FOR 160A SWITCH ISOLATOR / FUSE

ITEM 1 - SWITCH LV COMBINATION ISOLATOR/FUSE 160A SIZE 00

STOCK CODE 205096

NO	DESCRIPTION	DRN	DATE	CKD	APPD
4	DRAWING REFERENCES ADDED	A.B.	JUL '09	A.T.	S.C.
3	REPLACED BY DRAWING No. S04-1-3-6	A.S.	SEPT '02	M.B.	M.B.
2	REDRAWN ON CAD.	A.D.	MAY '98	R.I.	F.R.
1	NOTE 2 AMENDED. FUSE CHANGED TO 160A.	gmck	JUNE '92	N.S.	BTK
AMENDMENTS					



DES	-	POWER STANDARD DRAWING	
DRN	A.DAVIS	SWITCHGEAR LV - ABC COMBINATION SWITCH ISOLATOR / FUSE	
CKD	R.INNES		
APPD	F.ROBSON		
SCALE	N.T.S.		
ISSUED	MAY '98	A3	DRAWING NUMBER S04-1-3-01
ALL DIM. IN mm			
DRAFTING STANDARD TO A.S.1100		CAD PRODUCT - DO NOT AMEND MANUALLY	

