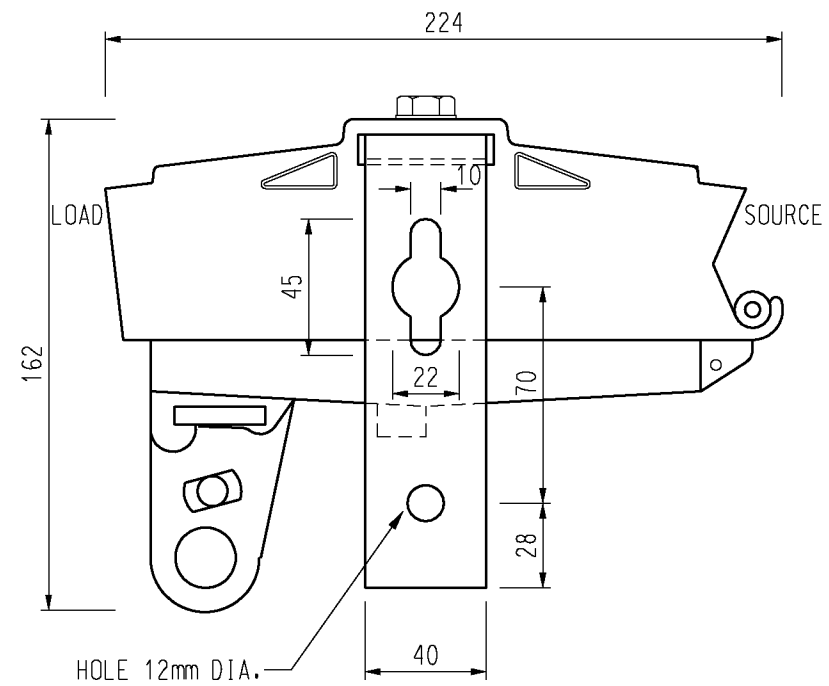
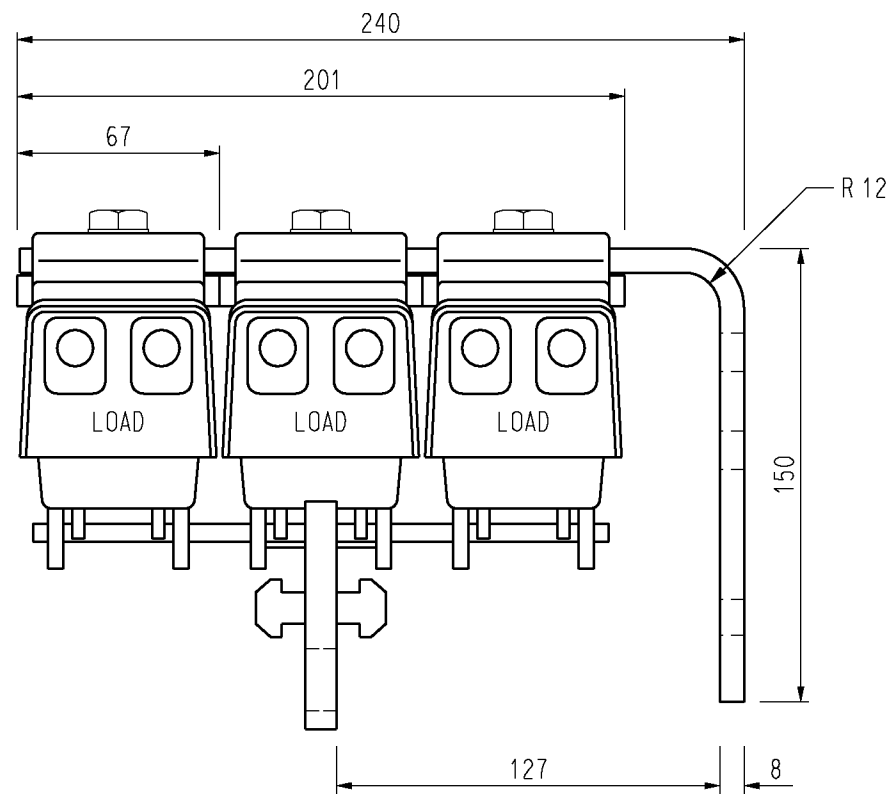


NOTES :

1. UNIT TO BE SUPPLIED WITH GALVANISED MOUNTING BRACKET.
2. ISOLATOR RATING - 160A WITH FUSES



NO	DESCRIPTION	DRN	DATE	CKD	APPD
0	ISSUED FOR CONSTRUCTION/REPLACES S4-1-3-1	A.S.	19.9.02	R.C.	M.B.
AMENDMENTS					



DES	M. BOCK	POWER STANDARD DRAWING		
DRN	A. SCHMID	SWITCHGEAR		
CKD	M. BOCK	LV - ABC/BOLTED CONNECTIONS		
APPD	M. BOCK	COMBINATION SWITCH, ISOLATOR/FUSE		
SCALE	1 : 2.5	A3	DRAWING NUMBER	S04-1-3-6
ISSUED	SEPT'02			
ALL DIM.	IN mm	CAD PRODUCT - DO NOT AMEND MANUALLY		
DRAFTING STANDARD TO A.S.1100		AMDT		