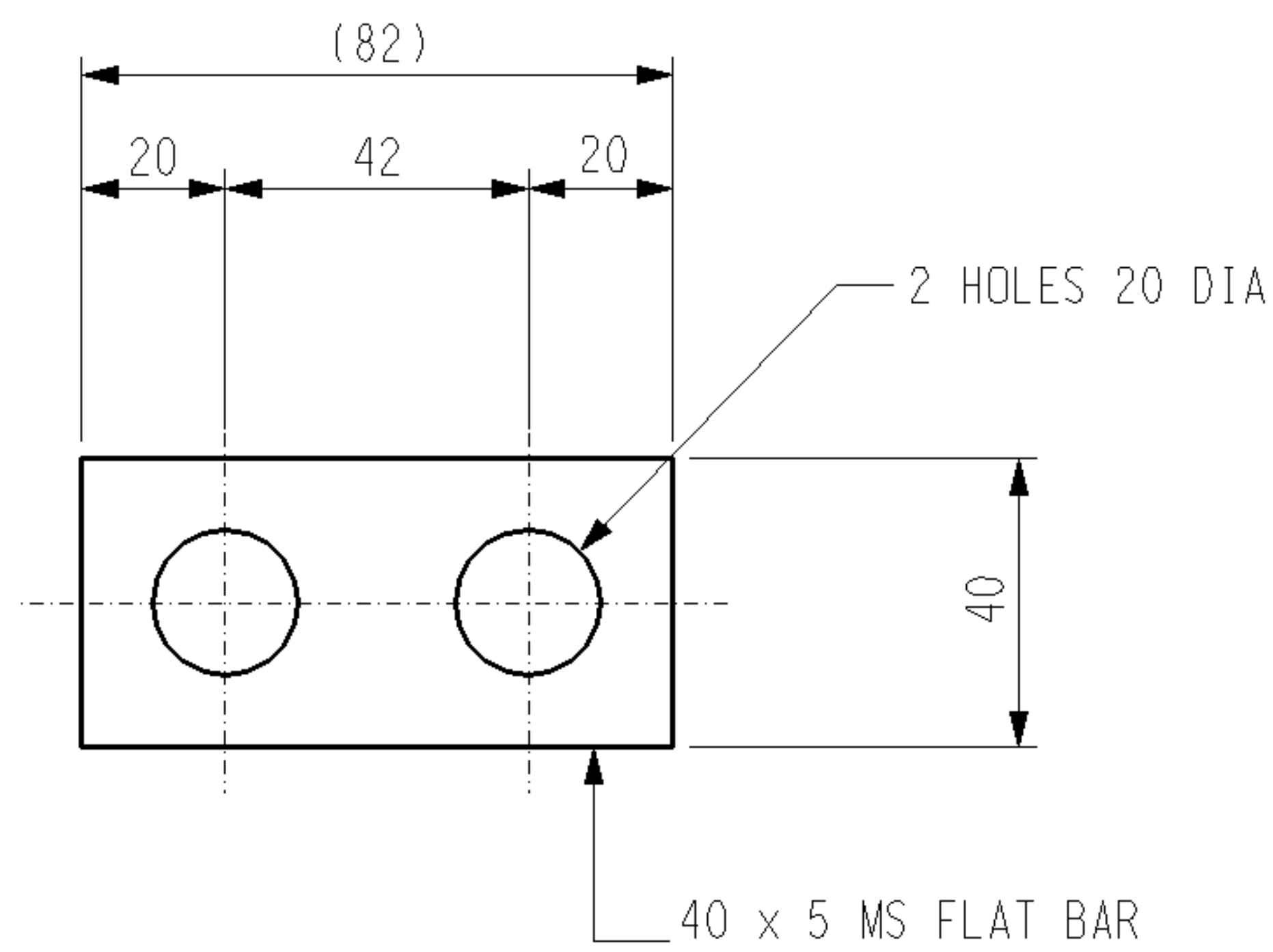
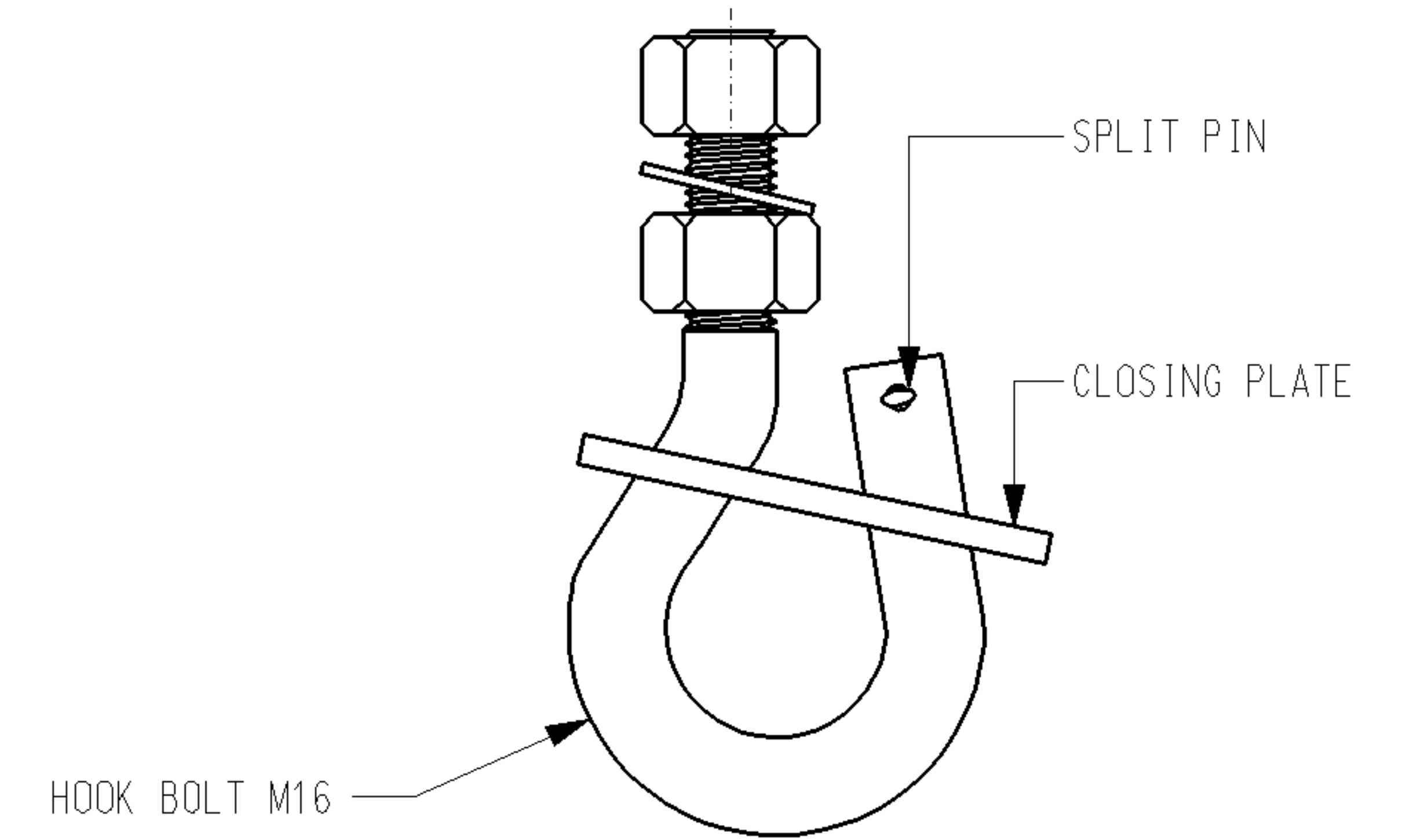


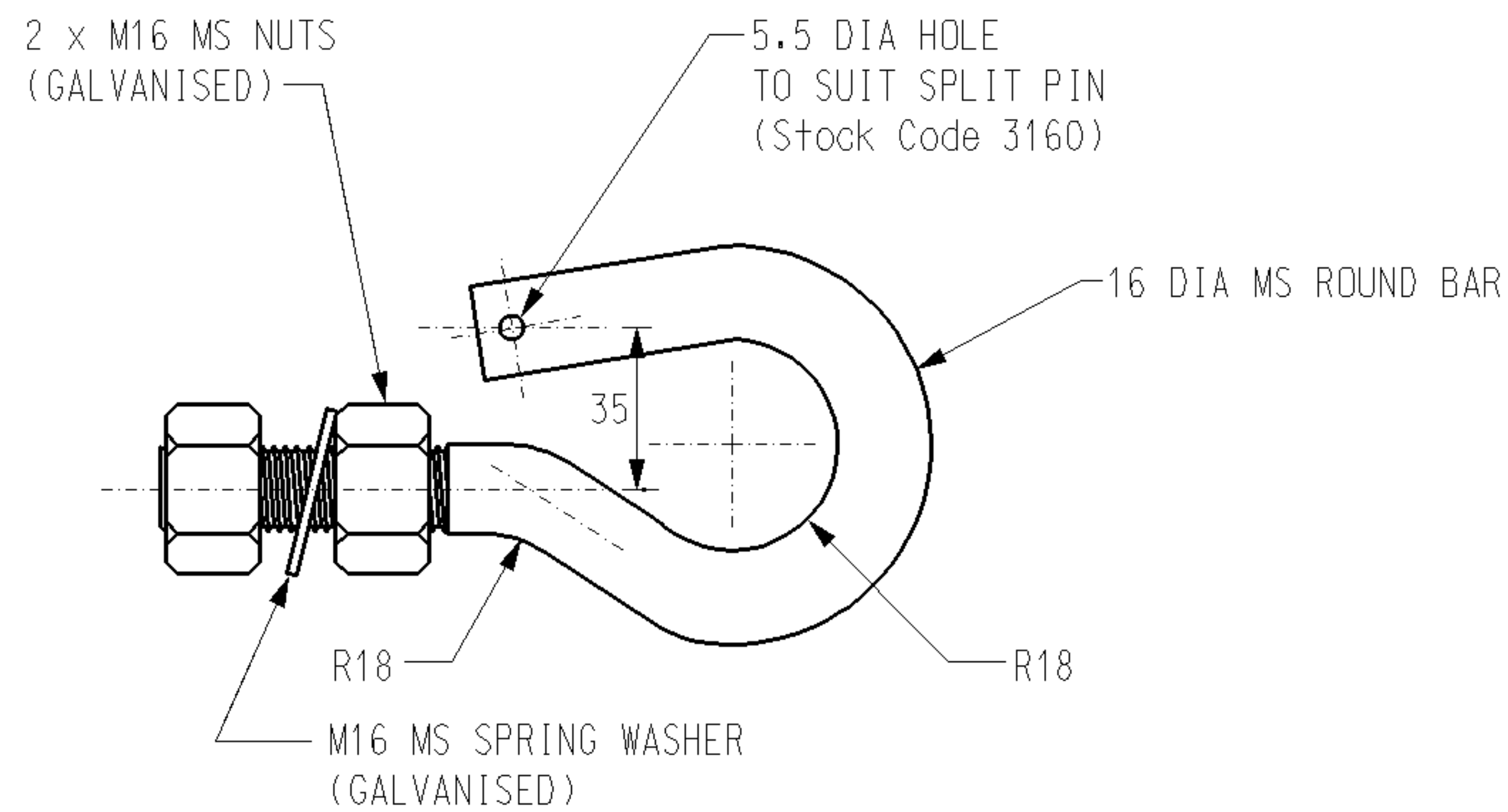
PLAN



ITEM 2 - CLOSING PLATE
(Stock Code - 213876)

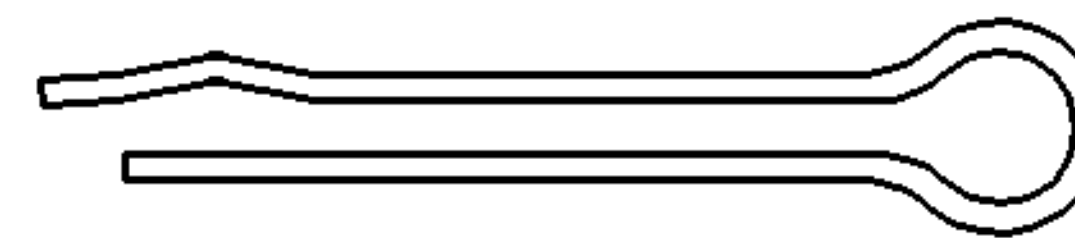


HOOK BOLT M16 NON-BREAKAWAY ASSEMBLY



ELEVATION

ITEM 1 - HOOK BOLT M16
(Stock Code - 197731)



ITEM 3 - SPLIT PIN
(Stock Code - 3160)

NOTES

1. ALL WORKMANSHIP AND MATERIALS SHALL BE IN ACCORDANCE WITH AS3678 & AS3679.
2. ALL ROUGH OR BURRED EDGES ARE TO BE DRESSED CLEAN.
3. BOLTS TO BE METRIC, PROPERTY CLASS 4.6 AND SHALL BE IN ACCORDANCE WITH AS1111.
4. CORROSION PROTECTION TO BE HOT DIPPED GALVANISING, WHEREBY COMPONENTS ARE TO BE EVEN AND FREE OF LUMPS AND BUILD-UP AND TRUE TO SHAPE AFTER GALVANISING. COMPONENTS WILL BE TESTED IN ACCORDANCE WITH AS1650.
5. FOR ITEM 3 - SPLIT PIN, REFER TO STD DRG S1-1-4-2

							DES - POWER STANDARD DRAWING	
							DRN g.mck/H.T.	LINE HARDWARE
						CKD G.Schubert	LV - ABC	
						APPD B.T.KENT	HOOK BOLT, CLOSING PLATE & SPLIT PIN	
						SCALE 1:2	A3	DRAWING NUMBER S4-1-2-7
						ISSUED SEPT'89		
						ALL DIM. IN mm	DRAFTING STANDARD TO A.S.1100	CAD PRODUCT - DO NOT AMEND MANUALLY
2	ITEM 1 : STOCK CODE CORRECTED	AS	JAN'06	-	C.C.			
1	REDRAWN ON CAD	BJH	JUN'98	-	F.R.R.			
NO	DESCRIPTION	DRN	DATE	CKD	APPD			
AMENDMENTS								