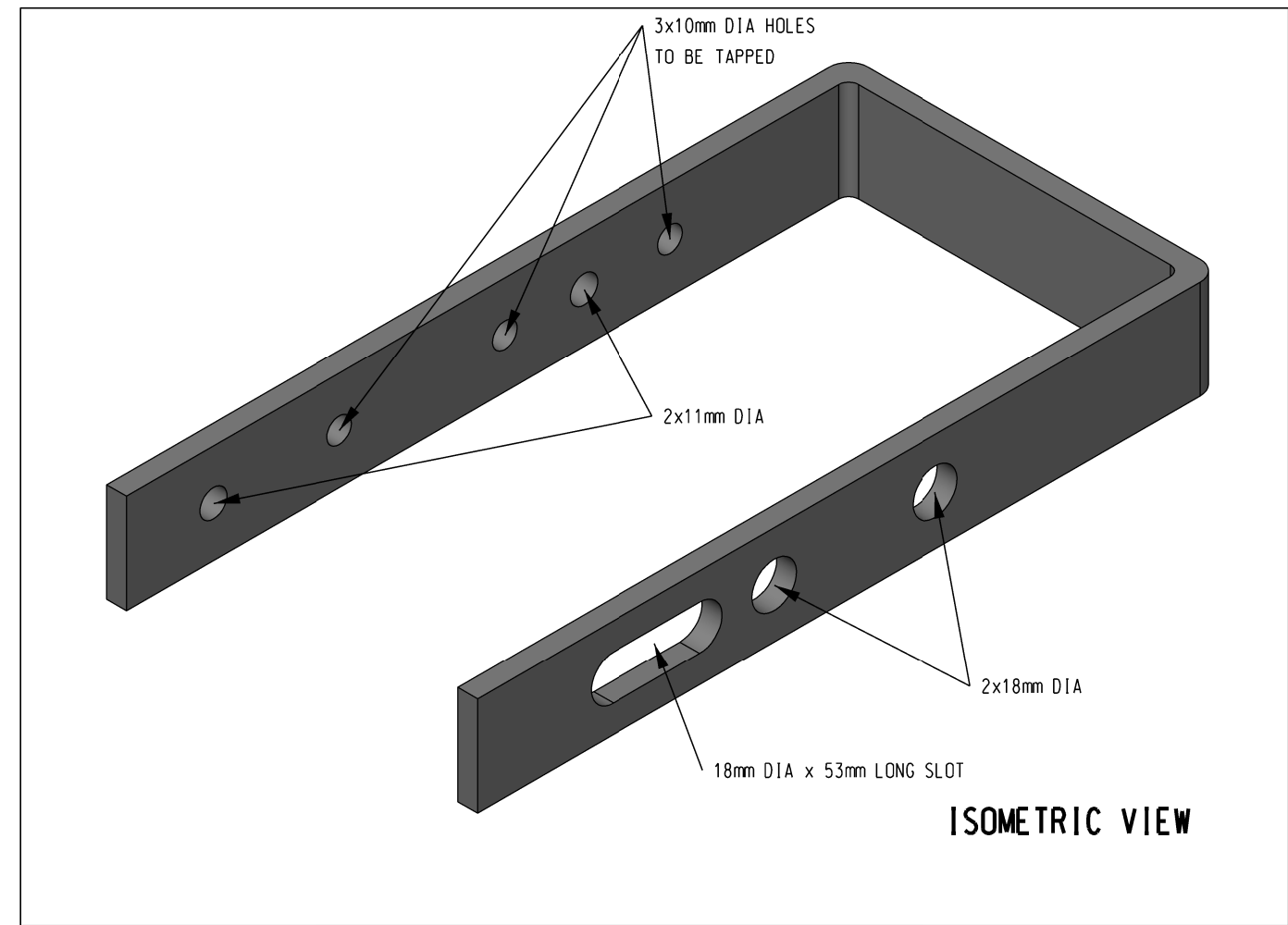
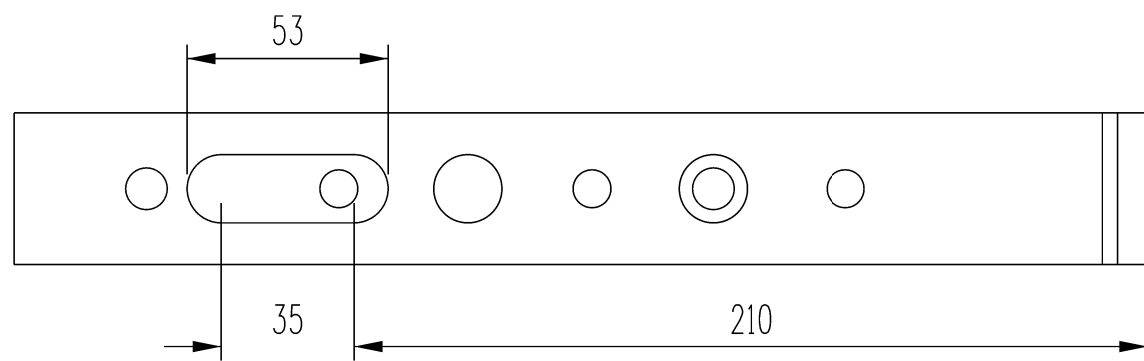


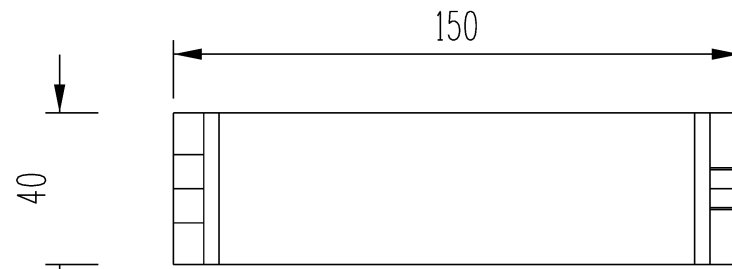
PLAN



ISOMETRIC VIEW



ELEVATION  
STOCK CODE 260174



END ELEVATION

**NOTES:**

1. FOR MOUNTING FUSED ISOLATOR REFER TO STD DRG S04-1-3-05, AND STD DRG S04-1-3-06.
2. BRACKET TO BE MOUNTED ON LV SERVICE ARM.
3. ALL ROUGH OR BURRED EDGES ARE TO BE DRESSED CLEAN.
4. BRACKET TO BE HOT DIP GALVANIZED IN ACCORDANCE WITH AS 4680 AFTER APPROPRIATE PREPARATION AND PRE TREATMENT IN ACCORDANCE WITH RELEVANT PART(S) OF AS 1627.

NO	DESCRIPTION	DRN	DATE	CKD	APPD
3	SLOT ADDED, 160A REMOVED FROM TITLE 400A ADDED TO TITLE	A.T.	JUN'13	B.C.	B.C.
2	DESIGN CHANGED TO OPEN TYPE	K.I.	DEC'05	C.C.	PJD
1	FMS CHANGED FROM 8 TO 6 AND OTHER MINOR ALTERATIONS MADE	RGI	SEP'96	AGB	PJD
AMENDMENTS					



DES	...	POWER STANDARD DRAWING		
DRN	JAL	<b>LINE HARDWARE</b> <b>LV-ABC. BRACKET</b> <b>LV FUSED ISOLATOR - 250A &amp; 400A</b>		
CKD	SCM			
APPD	PJD			
SCALE	1:3			
ISSUED	JUL'95	A3	DRAWING NUMBER	S04-1-2-03
ALL DIM. IN	mm			
DRAFTING STANDARD TO A.S.1100		CAD PRODUCT - DO NOT AMEND MANUALLY		