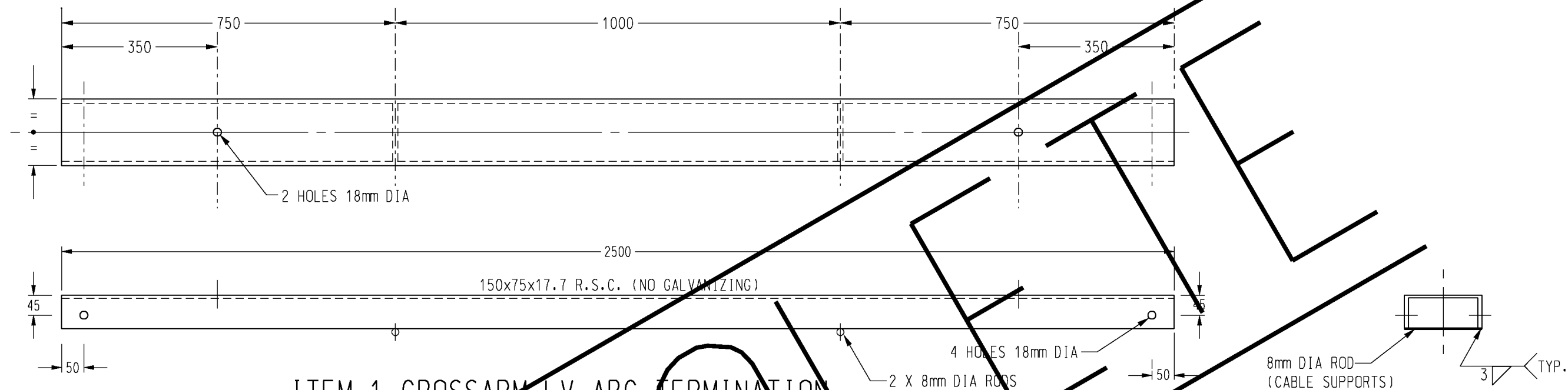
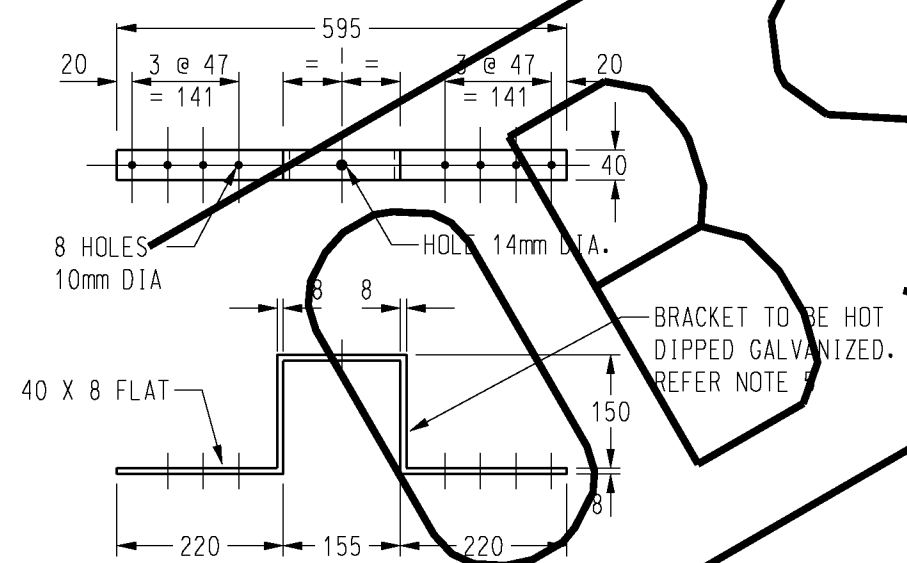


3RD ANGLE -DO NOT SCALE - REPORT ANY ERRORS, OMISSIONS TO DRAFTING OFFICE



ITEM 1 CROSSARM LV ABC TERMINATION

STOCK CODE 207175



ITEM 2 BRACKET FUSE SWITCH

STOCK CODE 207183

NOTES :

1. ALL WORKMANSHIP AND MATERIALS SHALL BE IN ACCORDANCE WITH AS 3678.
2. ALL WELDING AND WELD PREPARATION SHALL BE IN ACCORDANCE WITH AS 1554. FILLET WELDS TO BE 6mm UNLESS NOTED OTHERWISE.
3. ALL ROUGH OR BURRED EDGES ARE TO BE DRESSED CLEAN.
4. BOLTS TO BE METRIC PROPERTY CLASS 4.6 AND SHALL BE IN ACCORDANCE WITH AS 1111.
5. ITEM 2 - TO BE HOT DIPPED GALVANIZED, WHEREBY COMPONENTS ARE TO BE EVEN AND FREE OF LUMPS AND BUILD-UP AND TRUE TO SHAPE AFTER GALVANIZING. COMPONENTS WILL BE TESTED IN ACCORDANCE WITH AS 1650.

PRELIMINARY ONLY

NO	DESCRIPTION	DRN	DATE	CKD	APPD
2	REPLACED BY DRAWING No. S04-1-2-4	A.S.	SEPT'02	M.B.	M.B.
1	REDRAWN ON CAD	A.D.	MAY'98	R.I.	F.R.
AMENDMENTS					



DES	B.T.K.	POWER STANDARD DRAWING		
DRN	A.DAVIS	LINE HARDWARE		
CKD	R.INNES	LV-ABC		
APPD	F.ROBSON	TERMINATION		
SCALE	1:10	CROSSARM & FUSE SWITCH TERMINATION		
ISSUED	MAY'98	A3	DRAWING NUMBER	S4-1-2-1
ALL DIM. IN mm				
DRAFTING STANDARD TO A.S.1100		CAD PRODUCT — DO NOT AMEND MANUALLY		AMDT