

ITEM 1 - RAG BOLT REINFORCEMENT ASSEMBLY - TYPE 5
(Stock Code - 11809)

NOTES

1. ALL WORKMANSHIP AND MATERIALS SHALL BE IN ACCORDANCE WITH AS 3679 Pt1 AND AS/NZS4671.
2. ALL WELDING AND WELD PREPARATION TO BE TO AS1554. FILLET WELDS TO BE 6mm UNLESS NOTED OTHERWISE.
3. 50x6 FLAT BAR TO BE WELDED TO RAG BOLTS ONLY.
4. RAG BOLTS SHALL BE GRADE 500N DEFORMED BARS. MINIMUM 175mm THREAD (TO AS1275) SHALL BE CUT IN THE BARS
5. PITCH CIRCLE DIAMETER (P.C.D.) OF RAG BOLTS IS CRITICAL.
6. THE 175mm THREADED SECTION OF THE RAG BOLTS TOGETHER WITH THE ASSOCIATED NUTS AND WASHERS SHALL BE HOT DIP GALVANIZED IN ACCORDANCE WITH AS 2312. NUTS AND WASHERS SHALL BE GRADE 8.8 AND AFTER GALVANISING BE FIRM FITTING ON THE THREADED SECTION OF THE RAG BOLTS - IN ACCORDANCE WITH AS 1112, AS 1237 AND AS 1252, AS APPROPRIATE
7. DESIGN OF RAG BOLT REINFORCEMENT FOUNDATION IS BASED ON SOIL WHICH HAS A SHEAR STRENGTH OF NOT LESS THAN 200kPa i.e., COMPACT MEDIUM CLAY, WELL BONDED SANDY LOAM, BONDED SAND AND GRAVEL WITH REASONABLE SURFACE WATER DRAINAGE (OR BETTER CONDITIONS THAN DESCRIBED). ANY SOIL CONDITIONS HAVING A SHEAR STRENGTH OF LESS THAN 200kPa i.e., SOFT CLAY, POOR COMPACTED SAND AND SOILS THAT TEND TO ABSORB LARGE AMOUNTS OF WATER, WILL REQUIRE SPECIAL FOUNDATION DESIGN OF LARGER DIMENSION.

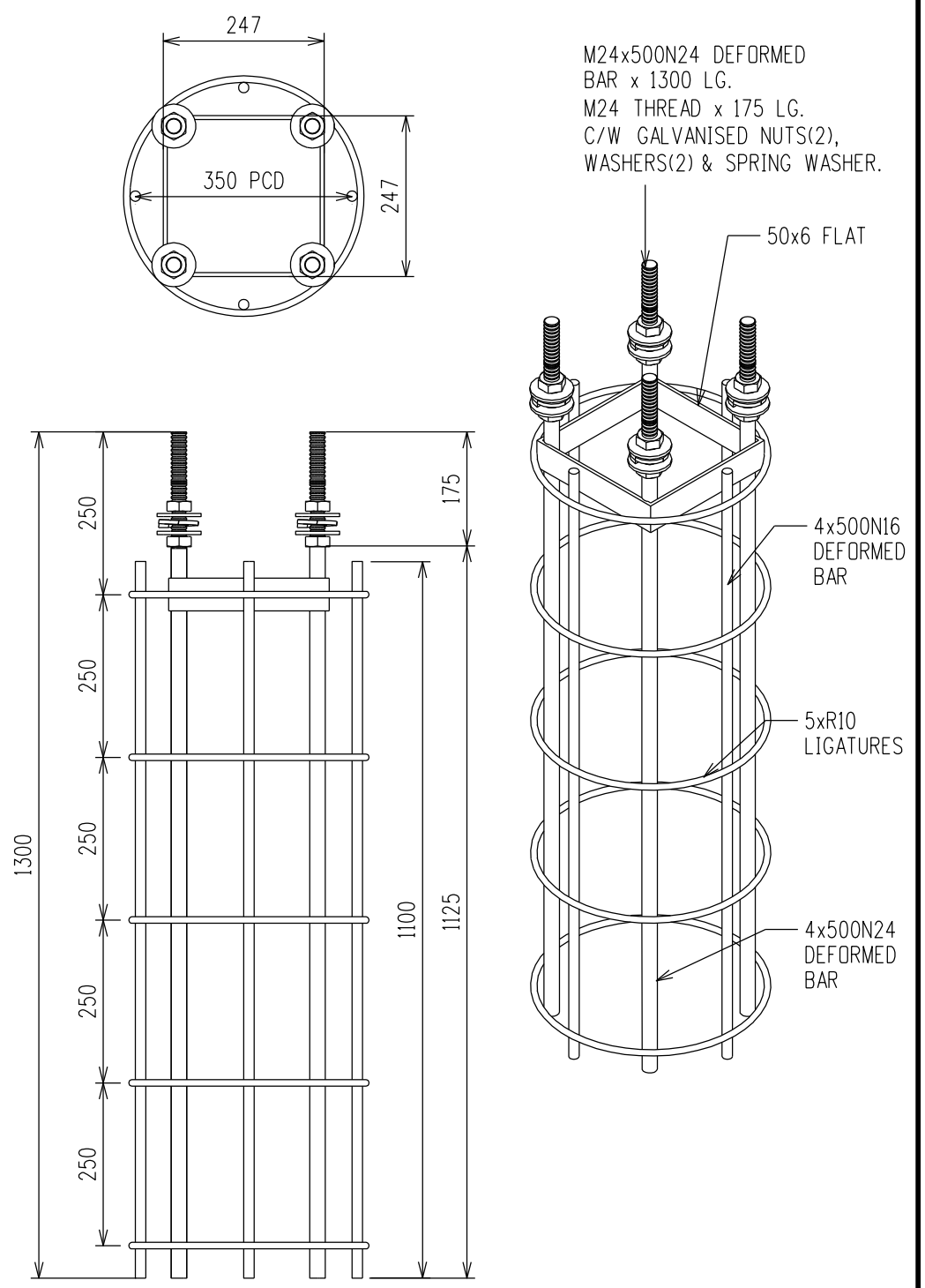
TYPE APPLICATION

ITEM 1: TYPE 5 - FOR USE WITH 4.5 AND 5.5 METRE POST TOP TAPERED STEEL COLUMNS.

ITEM 2: TYPE 9 - FOR USE WITH 6.5 METRE, 9.0 METRE AND 12.0 METRE TAPERED STEEL COLUMN AND OUTREACH.

REFERENCE DRAWINGS

S03-1-2-02 - RAG BOLT REINFORCEMENT TYPE 12 & TYPE 18
 S03-1-2-03 - RAG BOLT REINFORCEMENT, FOUNDATION ARRANGEMENTS
 S03-1-2-06 - RAG BOLT REINFORCEMENT, BAR - DEFORMED



ITEM 2 - RAG BOLT REINFORCEMENT ASSEMBLY - TYPE 9
(Stock Code - 6668)

NO	DESCRIPTION	DRN	DATE	CKD	APPD
13	INCLUDE 6.5m OUTREACH WITH TYPE 9	P.H.	OCT'17	B.V.	I.B.
12	THREAD SIZES CORRECTED	A.T.	JUL'11	B.N.	S.C.
11	REFERENCE TO "ROD" REMOVED.	A.B.	APR'10	A.T.	S.C.
10	REDRAWN ON 3D. UPDATED TO AS/NZS4671	J.C.	AUG'09	A.T.	S.C.
AMENDMENTS					

DES	A. TAYLOR	POWER STANDARD DRAWING	
DRN	J. COPPINS	RAG BOLT REINFORCEMENT TYPE 5 AND TYPE 9 FABRICATION DETAILS	
CKD	A. TAYLOR		
APPD	S. C.	A3	DRAWING NUMBER S03-1-2-01
SCALE	1:10		
ISSUED	AUG'09	AMDT	
ALL DIM. IN mm			
DRAFTING STANDARD TO A.S.1100		CAD PRODUCT - DO NOT AMEND MANUALLY	