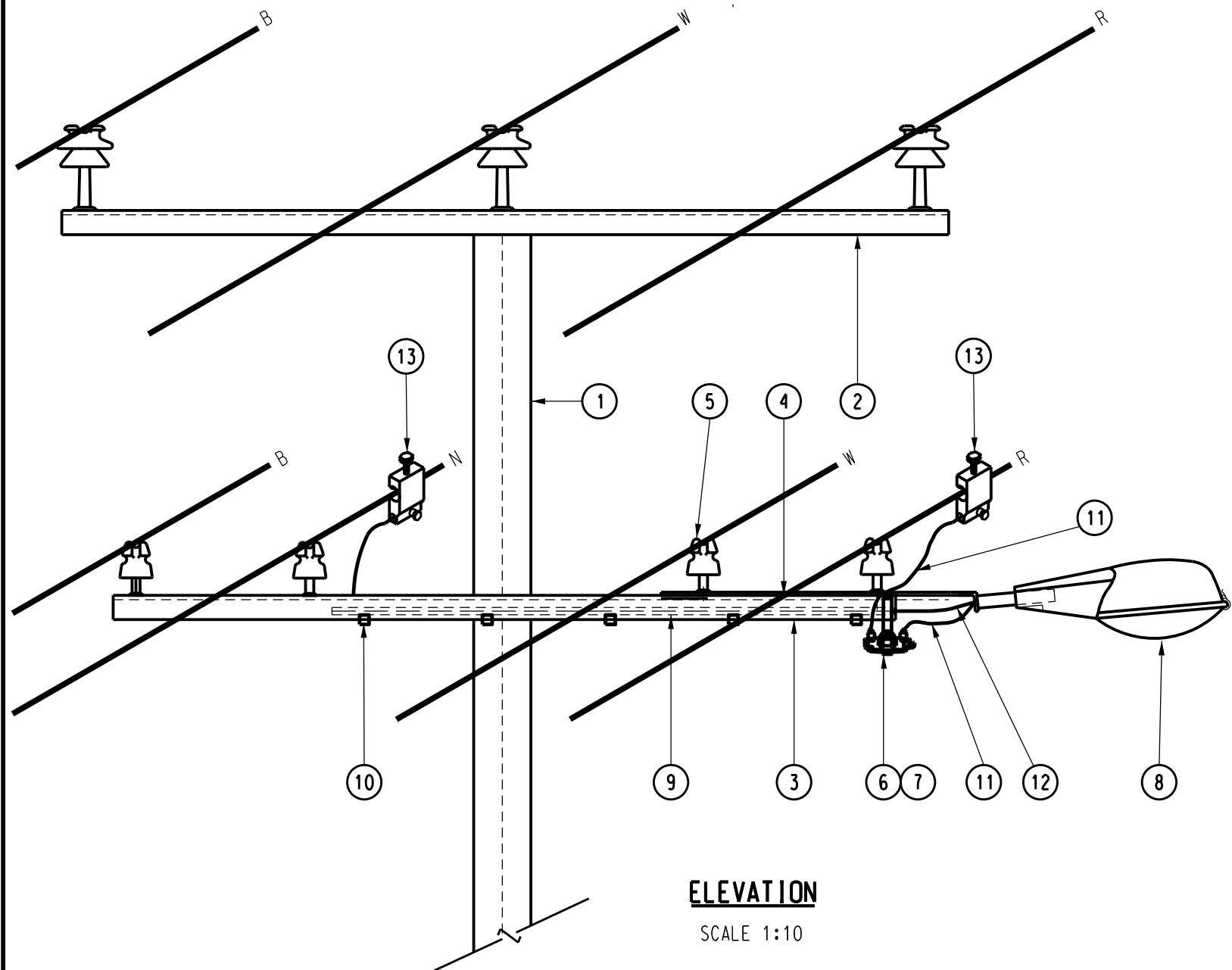


3RD ANGLE -DO NOT SCALE - REPORT ANY ERRORS, OMISSIONS TO DRAFTING OFFICE



NOTES

1. THIS ARRANGEMENT IS TO BE USED ON 9m HV AND LV POLES WHICH PROVIDES A MOUNTED HEIGHT OF 6.1m. OTHER POLE AND CROSSARM CONFIGURATIONS MAY BE USED SUBJECT TO ACCEPTABLE MOUNTING HEIGHTS BEING OBTAINED.
2. FOUR WIRE LV CONFIGURATION SHOWN. FOR FIVE WIRE APPLICATION INSTALL ADDITIONAL CONDUIT BETWEEN STREET LIGHTING AND NEUTRAL MAINS.
3. FOR MINOR ROADS ONLY. MAXIMUM 125W LAMPS SHALL BE USED.

TAG No	QTY	DESCRIPTION	STOCK CODE	DRG REF
13	2	CLAMP - SERVICE	2212	S1-1-4-48
12	2m	CABLE - 4sq.mm COPPER - BLACK	1693	S2-1-1-23
11	1m	CABLE - 4sq.mm COPPER - RED	20016	S2-1-1-24
10	5	RAMSET DYNACLIP - DK20	NSI	-
9	1	CONDUIT - PVC - Ø20x1470 LONG	4036	-
8	1	LANTERN	-	S3-1-4-1
7	1	SERVICE FUSE - 10A (Ø14x51)	9860	S1-1-4-49
6	1	SERVICE FUSE - BASE AND CARRIER ASSEMBLY	3970	S1-1-4-49
5	1	PIN - INSULATOR	3251	S1-1-4-1
4	1	BRACKET - LANTERN OUTREACH	115105	S3-1-3-2
3	1	LV CROSSARM ASSEMBLY	-	-
2	1	HV CROSSARM ASSEMBLY	-	-
1	1	LINE POLE	-	S1-1-1-2

MATERIAL SCHEDULE

3 NOTE 3 ADDED, ITEM 6 & 7 DRG REF UPDATE 2 UPDATE ITEM 13 1. REDRAWN ON CAD	P.H. OCT'17 I.B. B.C. K.I. SEP'05 C.C. C.C. A.D. MAY'98 R.I. F.R.	DRN DATE CKD APPD		DES A.B.	POWER STANDARD DRAWING	
				DRN A.DAVIS	LANTERN AND LAMPS	
				CKD R.INNES	MINOR ROADS	
				APPD F.ROBSON	LANTERN OUTREACH BRACKET	
				SCALE 1:10	ASSEMBLY DETAILS	
				ISSUED MAY'98	A3	DRAWING NUMBER S3-1-4-10
				ALL DIM. IN mm		
AMENDMENTS				DRAFTING STANDARD TO A.S.1100		