

TO FIT 76 O.D. SPIGOT

**INTERNAL VIEW**

**NOTES**

1. FITTING TO HAVE INTEGRAL CONTROL EQUIPMENT.
2. THE LANTERN BODY SHALL BE CAST AND /OR PRESSED ALUMINIUM AND BE WATER AND INSECT PROOFED.
3. VISORS TO BE HIGH IMPACT U.V. STABILISED ACRYLIC MATERIAL.
4. BALLASTS TO BE LOW LOSS.
5. LANTERN TO COMPLY WITH AS 1158.6 FOR CATEGORY 'P' ROAD LUMINAIRES.

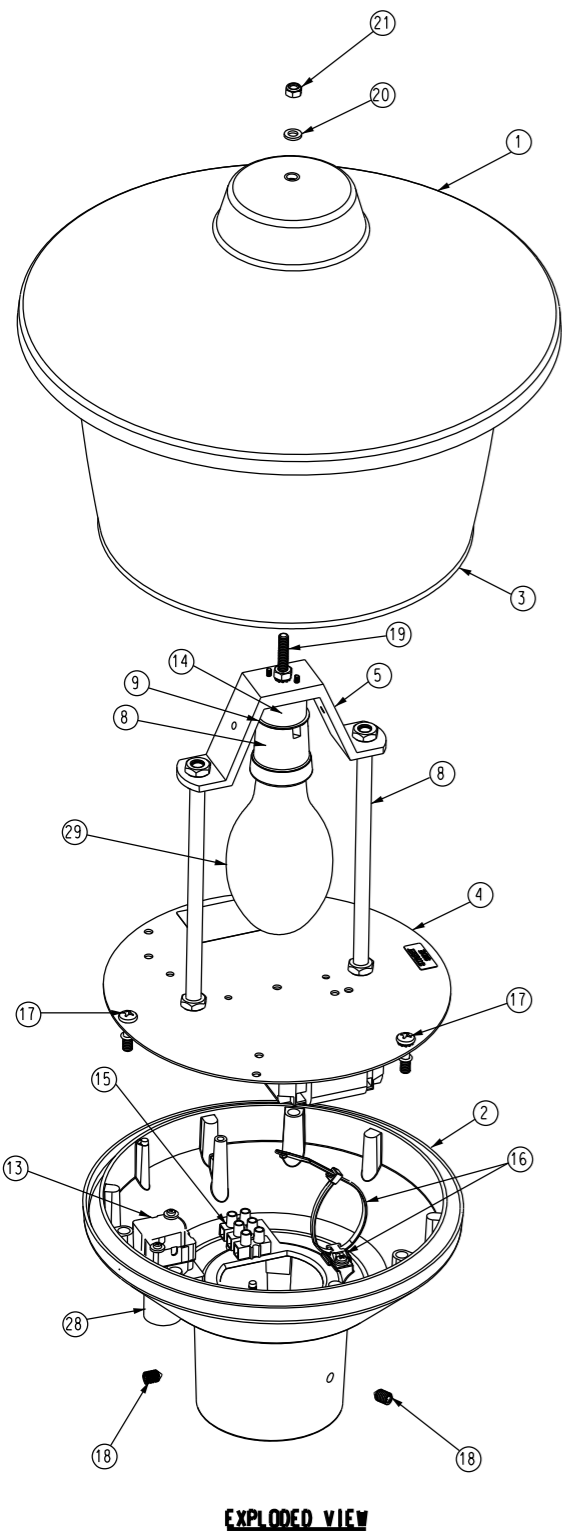
ITEM No	DESCRIPTION	STOCK CODE
5	CAP SCREW	7203
4	CANOPY 508mm DIA.	7187
3	ACRYLIC VISOR	7161
2	125WMV LANTERN COMPLETE	11726
1	80WMV LANTERN COMPLETE	11684

NO	DESCRIPTION	DRN	DATE	CKD	APPD
3	SYLVANIA 80MV ADDED SHEET 2 OF 2	K.T.	APR'16	I.B.	B.C.
2	REDRAWN ON CAD, NOTE 5 AMENDED AND NOTE 6 ADDED	A.S.	FEB'02	F.R.	-
1	NOTE 5 AMENDED	R.T.F.	FEB'91	N.S.	-
AMENDMENTS					

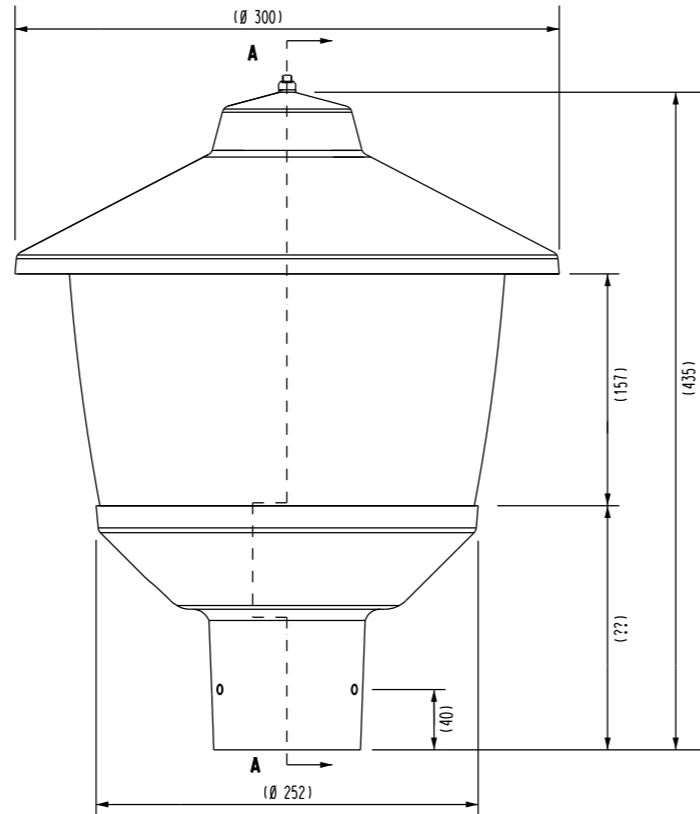


DES	POWER STANDARD DRAWING		
DRN	G.L.	<b>LANTERN &amp; LAMPS 80W AND 125W POST TOP SHEET 1 OF 2</b>	
CKD	B.M.W		
APPD	B.T.K		
SCALE	1:5		
ISSUED	MAR'90		
ALL DIM. IN mm	A3	DRAWING NUMBER	S3-1-4-8_1
DRAFTING STANDARD TO A.S.1100		CAD PRODUCT - DO NOT AMEND MANUALLY	

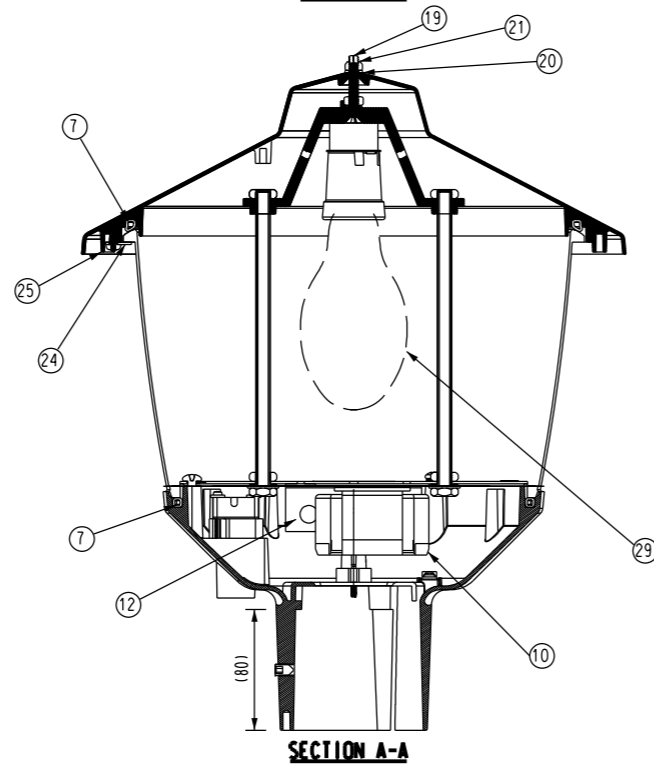




**EXPLODED VIEW**



**FRONT VIEW**



**SECTION A-A**

**NOTES:**

1. LUMINAIRE INTENDED FOR MOUNTING ON 076x100mm VERTICAL SPIGOT, REFER AS1798.
2. SUITABILITY OF MOUNTING STRUCTURE THE RESPONSIBILITY OF THE INSTALLER/END USER.
3. EXPERT ADVISE MUST BE SORT BEFORE MOUNTING LUMINAIRE IN WIND REGION C OR D, AS DEFINED AS1170.
4. ONLY THOSE FASTENERS WHERE USER INTERFACE MAYBE REQUIRED CALLED UP IN PARTS LIST.
5. WIRES & LANYARDS OMITTED DRAWING FOR CLARITY.
6. LAMPHOLDER WIRES ARE PAST THROUGH CENTRE OF TIERODS & SEALED WITH SILICONE (RTV732 OR EQUIVALENT).
7. LAMP SHOWN FOR REFERENCE PURPOSES, NOT SUPPLIED WITH PRODUCT.

ITEM No	DESCRIPTION	STOCK CODE
1	BASE CASTING	-
2	COVER CASTING	503706
3	REFRACTOR	503707
4	GEARTRAY	-
5	LAMPHOLDER MOUNTING	-
6	TIEROD	-
7	REFRACTOR GASKET TOP & BOTTOM	-
8	LAMPHOLDER E27	503708
9	LAMPHOLDER INSULATOR	-
10	BALLAST 80W MERCURY VAPOUR	-
11	CAPACITOR	-
12	BRACKET CAPACITOR MOUNT	-
13	D2 PE BASE	-
14	LAMPHOLDER SPACER	-
15	TERMINAL BLOCK 3 WAY	-
16	CABLE TIE/ANCHOR	-
17	SCREW PAN HEAD 1/4"	-
18	SCREW GRUB POINT M8x12mm	-
19	SCREW COUNTERSUNK 1/4"	-
20	WASHER 1/4"	-
21	NYLOC NUT	-
22	GEARTRAY LANYARD	-
23	COVER LANYARD	-
24	BRACKET REFRACTOR RETENSION	-
25	SCREW PAN HEAD TAPTITE M5x10mm	-
26	LAMPHOLDER WIRES	-
27	EARTH WIRE	-
28	D2 PE CELL	-
29	LAMP HSL-BW-80	-

**SYLVANIA B2001 SERIES POST TOP LAMP 80W**

TYPE	MODEL	STOCK CODE
WITH PE CELL	D11T01	503704
WITHOUT PE CELL	D11T02	503705

NO	DESCRIPTION	DRN	DATE	CKD	APPD
0	NEW SHEET 2 ADDED	K.T.	APR'16	I.B.	B.C.
AMENDMENTS					



DES	-	POWER STANDARD DRAWING		
DRN	K.T.	<b>LANTERN &amp; LAMPS 80W AND 125W POST TOP SHEET 2 OF 2</b>		
CKD	I.B.			
APPD	B.C.			
SCALE	N.T.S.			
ISSUED	APR'16			
ALL DIM. IN mm	A3	DRAWING NUMBER	S3-1-4-8_2	
DRAFTING STANDARD TO A.S.1100		CAD PRODUCT - DO NOT AMEND MANUALLY		