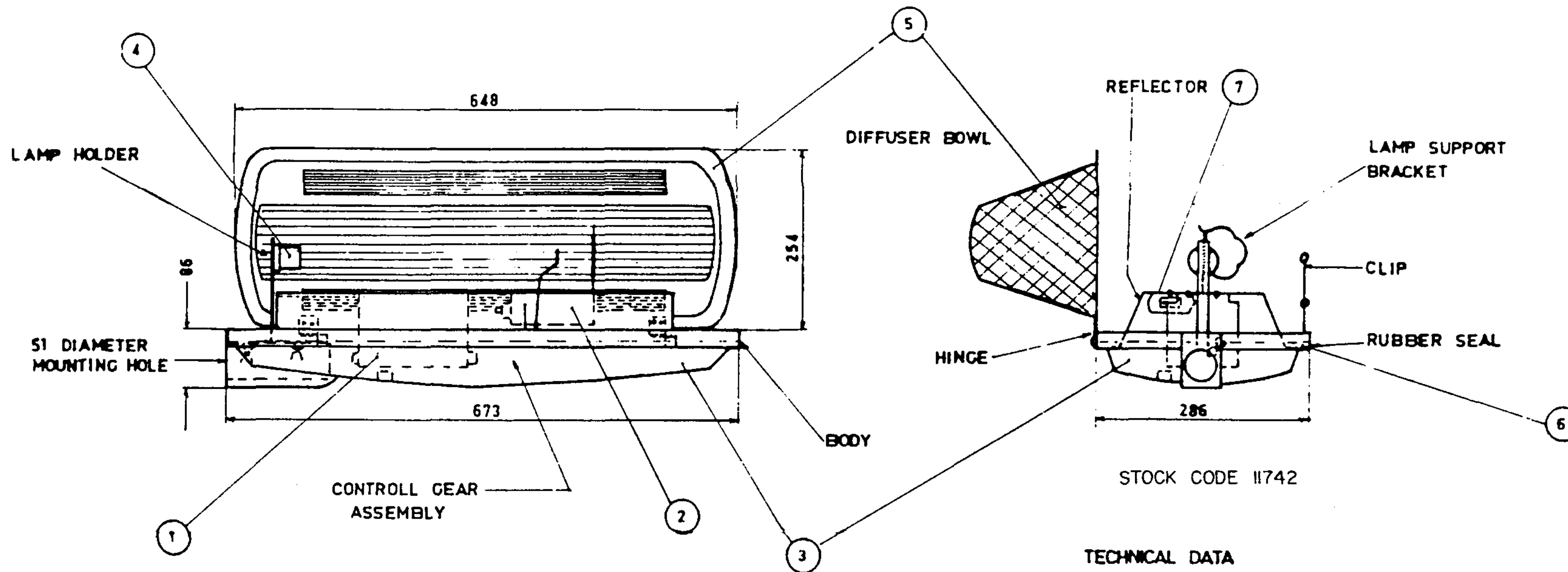


3RD ANGLE — DO NOT SCALE — REPORT ANY ERRORS, OMISSIONS TO DRAFTING OFFICE



NOTE

1 CONTROL GEAR ASSEMBLY SHALL INCLUDE —  
 LEAKAGE TRANSFORMER SIMILAR TO FERGUSON TYPE SA 140SB  
 PAPER CAPACITOR 20MFD  $\pm$  10% SIMILAR TO DUCON TYPE APS 2200

TECHNICAL DATA

FOR OUTDOOR USE UNDER EXTREME TROPICAL CONDITIONS.  
 AS 1158

SPECIAL CRITERIA FOR N.T. PUBLIC LIGHTING LANTERNS.

- 1..DELETION OF BUILT IN FUSE WITHIN LANTERN.
- 2..PROVISION OF REMOVABLE CONTROL GEAR TRAY.
- 3..PROVISION OF QUICK DISCONNECT PLUG BETWEEN PORCELAIN BLOCK AND REMOVABLE TRAY.(SIMILAR TO UTILUX M/VN 1545-2)
- 4..EARTH ATTACHMENT TO BODY OF LANTERN.
- 5..LANTERN TO COMPLY WITH AS3771 FOR CATEGORY 'B' ROAD LUMINAIRE.

Nº	QTY	DESCRIPTION
7	1	REFLECTOR - IRON SHEET
6	1	SEAL - RUBBER
5	1	BOWL - PERSPEX
4	1	LAMP HOLDER - PORCELAIN
3	1	BODY - CAST ALLOY
2	1	CAPACITOR 20 MFD FOR 90W
1	1	LANTERN SV 90W INTRGRAL
MATERIALS SCHEDULE		

No.	AMENDMENT	DATE	INIT
4	NOTES AMENDED	FEB91	R.T.F.
3	NOTE N°6. ADDED	6/89	Q
2	TITLE & DRAWING NUMBER CHANGED	12/87	6/11
1	STOCK CODE AMENDED	01.87	w.T.



DES & M.S.  
 DRN *2/1/86*  
 CKD *G. Wilkerson*  
 APPD *W.T.*  
 ISSUED 20.2.86  
 DRAFTING STANDARD TO A.S. 1100  
 ALL DIM IN m.m.

STANDARD DRAWING	
TITLE LANTERNS & LAMPS MINOR ROADS SODIUM VAPOUR 90W (SOX)	
A3	DRAWING NUMBER S3-1-4-2
SCALE	SHEET
4 AMDT	