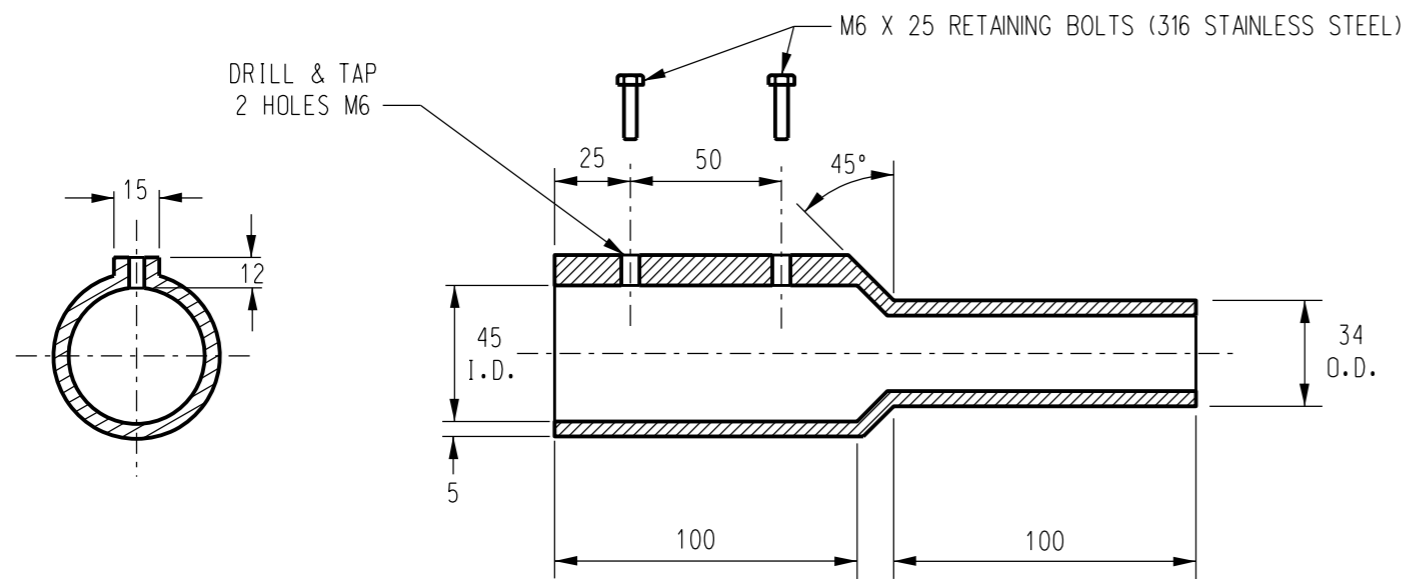


ITEMS - 1, 2, 5, 6, 9 & 12

LUMINAIRE SHOWN IS ILLUSTRATIVE ONLY

SCALE: 1:5



ITEM 17 - SPIGOT ADAPTOR ALUMINIUM OR HDG STEEL 45-34mm

SCALE: 1:2.5

NOTES

1. LUMINAIRES ARE TO BE SUPPLIED WITHOUT P.E. CELLS.
2. ANODISED ALUMINIUM BODY THICKNESS TO BE 1.2mm.
3. PHOTO ELECTRIC CELL CAVITY TO BE ORIENTED AS SHOWN.
4. STAINLESS STEEL BRACKET SECURING SCREWS TO BE SUPPLIED FOR BOTH LUMINAIRE AND SPIGOT ADAPTOR.
5. LUMINAIRE TO COMPLY WITH AS 3771 FOR CATEGORY 'B' ROAD LUMINAIRES.
6. LUMINAIRES ARE TO BE SUPPLIED WITHOUT IGNITERS.
7. INTERNAL SURFACES OF THE SPIGOT ADAPTOR ARE TO BE SMOOTH AND WITHOUT SHARP EDGES TO PERMIT THE PULLING OF CABLES WITHOUT DAMAGE TO THE INSULATION.
8. ITEM 17 HOT DIPPED GALVANIZING SHALL BE TO AS 4680, 450g/SQ.M

17	ADAPTOR, SPIGOT ALUMINIUM OR HDG STEEL 45-34mm.	6544
16	BOWL, ACRYLIC.	3764
15	SWITCH, PHOTO-ELECTRIC CONTROL (I.E. 'P.E. CELL').	7351
14	BALLAST, H.P.S.V. 70W.	3624
13	LAMP, H.P.S.V. 70W INTERNAL IGNITER.	108993
12	LUMINAIRE, H.P.S.V. 70W WITH P.E. CELL SOCKET.	11759
11	BALLAST, H.P.S.V. 50W.	9019
10	LAMP, H.P.S.V. 50W INTERNAL IGNITER.	6882
9	LUMINAIRE, H.P.S.V. 50W WITH P.E. CELL SOCKET.	11775
8	BALLAST, M.V. 125W.	9035
7	LAMP, M.V. 125W.	6791
6	LUMINAIRE, M.V. 125W WITH P.E. CELL SOCKET.	11783
5	LUMINAIRE, M.V. 125W.	11700
4	BALLAST, M.V. 80W.	8987
3	LAMP, M.V.80W.	10389
2	LUMINAIRE, M.V. 80W WITH P.E. CELL SOCKET.	11791
1	LUMINAIRE, M.V.80W.	11767
ITEM	DESCRIPTION	STOCK CODE

11	ITEM 17 UPDATED, NOTE 8 ADDED, NEW DRAWING FRAME	A.T.	AUG'16	I.B.	B.C.
10	REMOVE SPIGOT ANGLE, OUTREACH HAD 5°UPLIFT	R.G.I.	JAN'97	A.G.B.	F.R.R.
9	NOTES 4,7, MATERIALS LIST, LUMINAIRE & SPIGOT DETAILS AMENDED	J.A.L.	NOV'95	M.W.B.	P.J.D.
8	NOTES AMENDED, ITEMS, 2, 6, 9, 10, 12, 13 AMENDED	GMCK	MAY'93	N.S.	B.T.K.
7	MANUFACTURERS PART NUMBERS DELETED, SYLVANIA REFERANCE REMOVED	GMCK	JUN'92	N.S.	B.T.K.
6	NOTE 6 AMENDED	R.T.F.	FEB'91	N.S.	-
NO	DESCRIPTION	DRN	DATE	CKD	APPD
AMENDMENTS					



DES	-	POWER STANDARD DRAWING		
DRN	HT	LUMINAIRE AND LAMPS MINOR ROADS 50, 70, 80 AND 125W MERCURY VAPOUR - HPSV		
CKD	G.S.			
APPD	B.KENT			
SCALE	AS SHOWN			
ISSUED	NOV'88	A3	DRAWING NUMBER	S03-1-4-01
ALL DIM.	IN mm			
DRAFTING STANDARD TO A.S.1100		CAD PRODUCT - DO NOT AMEND MANUALLY		AMDT