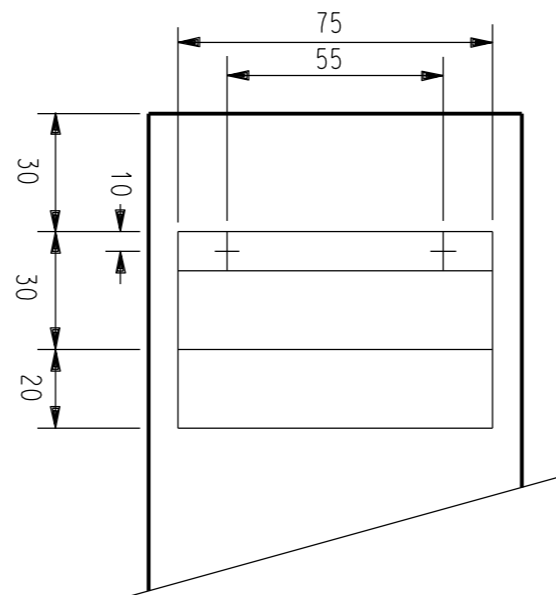
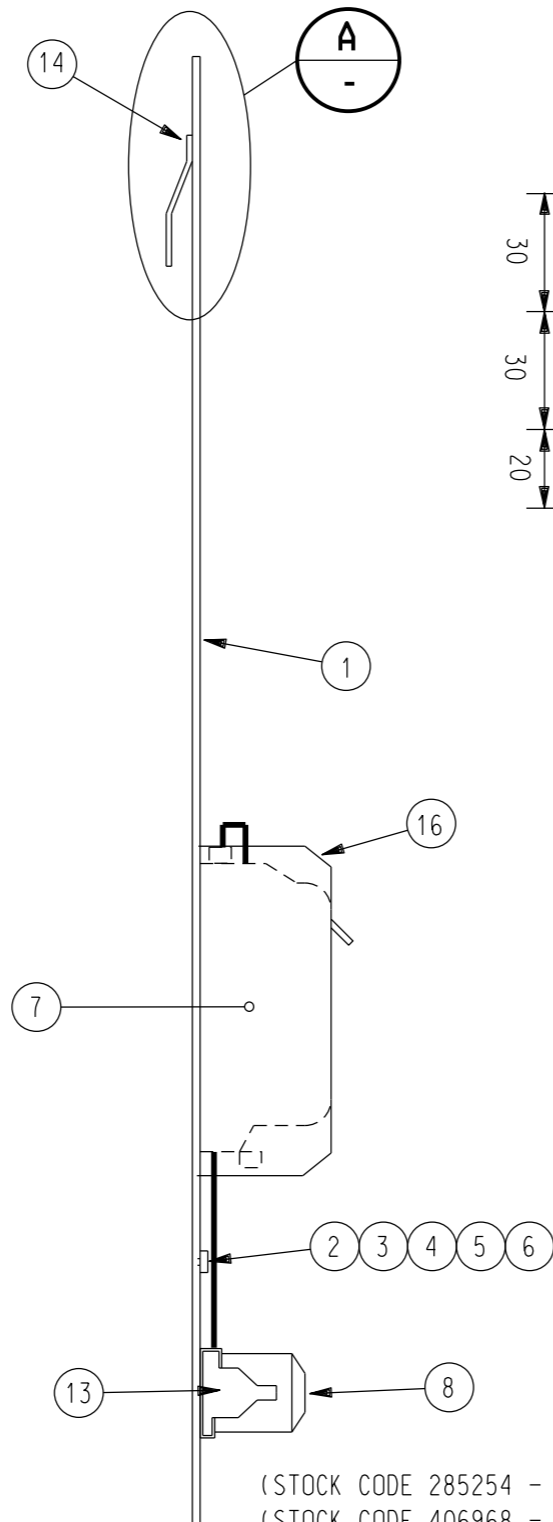
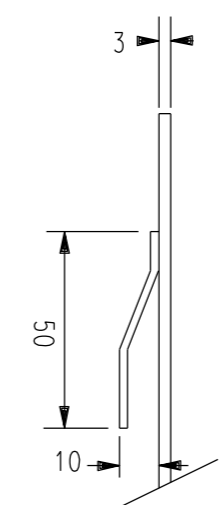


**ITEM 1 - SWITCH PACK LIGHTING COLUMN**



**MOUNTING DETAIL**



**NOTES :**

1. ALL MOUNTING HOLES TO BE 4 mm DIA
2. SECURE RAIL AND CIRCUIT BREAKER/S WITH SELF-TAPPING SCREWS (COUNTERSUNK FOR RAILS).
3. MOUNTING BRACKET TO BE RIVETED TO BASEPLATE.
4. WHEN USED WITH DOUBLE OR TRIPLE OUTREACH COLUMNS USE AN ADDITIONAL BREAKER IN POSITION SHOWN.
5. DOUBLE INSULATED IS REQUIRED IN AREAS WITH EARTHING PROBLEMS. UNNECESSARY WITH MAIN 35sq mm EARTH.

**TO BE READ IN CONJUNCTION WITH S03-1-5-07 WIRING DIAGRAM**

(STOCK CODE 285254 - SINGLE BREAKER STANDARD)  
 (STOCK CODE 406968 - SINGLE BREAKER DOUBLE INSULATED)  
 (STOCK CODE 415500 - DOUBLE BREAKER STANDARD)  
 (STOCK CODE 415505 - TRIPLE BREAKER STANDARD)

TAG No	QTY	DESCRIPTION	STOCK CODE	DRG REF
16	1	SURFACE MOUNTNG ENCLOSURE C/W DIN RAIL	251819	-
15	1m	CABLE Cu 4 sq.mm PVC RED SDI	.....	-
14	1	MOUNTING BRACKET	-	-
13	1	TERMINAL 'C' RAIL	6536	-
12	2	END CLAMP	7278	-
11	2	BRIDGE BAR - C/W SUPPORTS	-	-
10	1	PHASE BARRIER UP TO	7393	-
9	4	TERMINAL BLOCK 35 sq.mm	7229	-
8	1	END PLATE	7252	-
7	1	CIRCUIT BREAKER- 9 kA - 10 A DIN	251827	-
6	2	STAINLESS STEEL 5 mm NUTS	-	-
5	1	STAINLESS STEEL 5 mm BOLT	-	-
4	1	STAINLESS STEEL 5 mm SPLIT WASHER	-	-
3	1	STAINLESS STEEL 5 mm WASHER	-	-
2	1	STAINLESS STEEL 5 mm 'STANKO' LUG	-	-
1	1	ALUMINIUM BASE PLATE 560mm X 85mm X 3mm	-	-

**MATERIAL SCHEDULE**

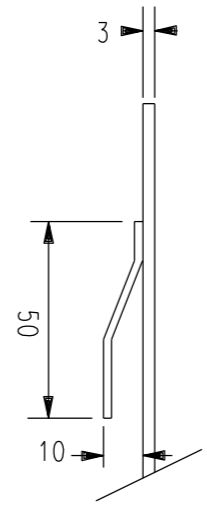
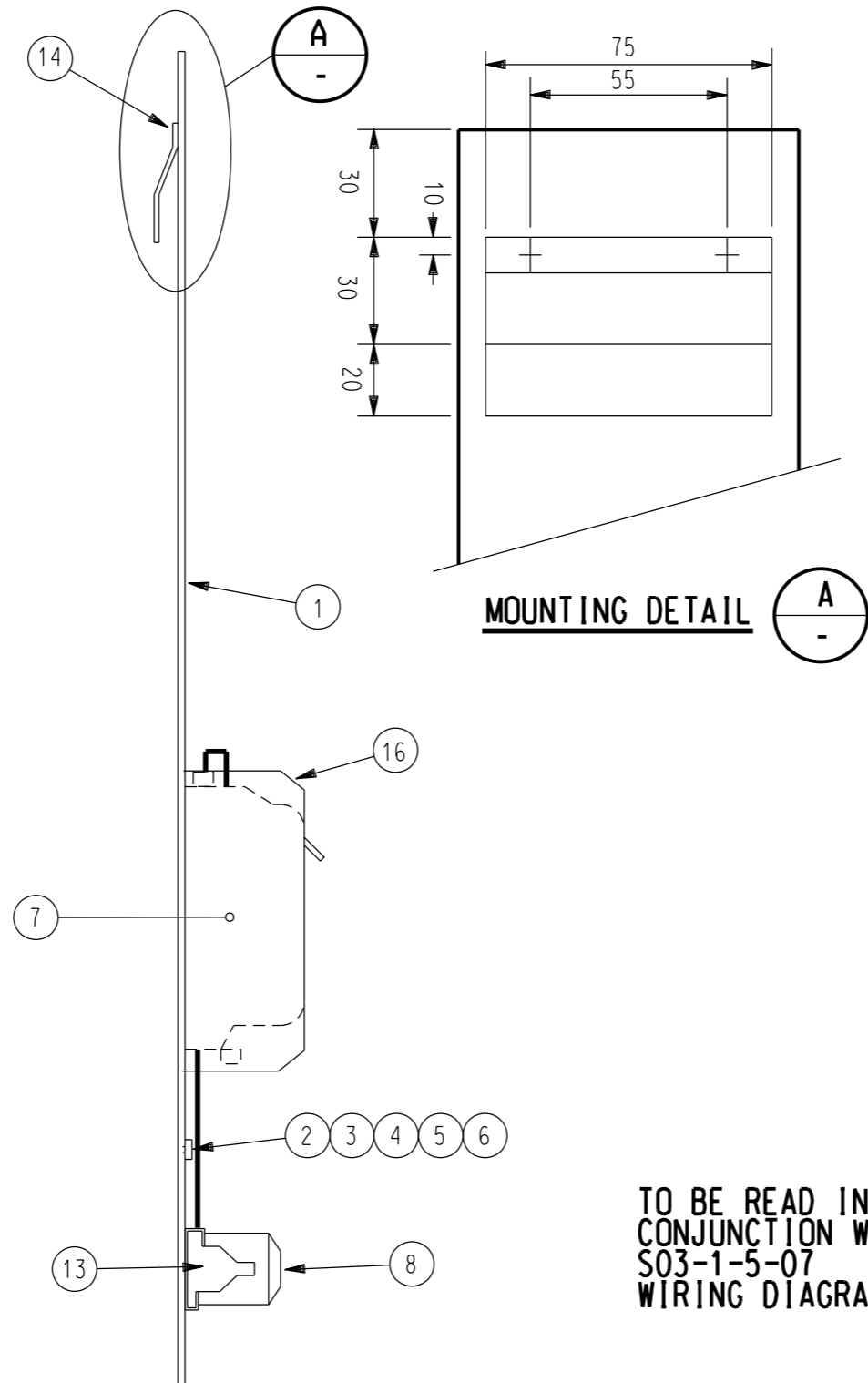
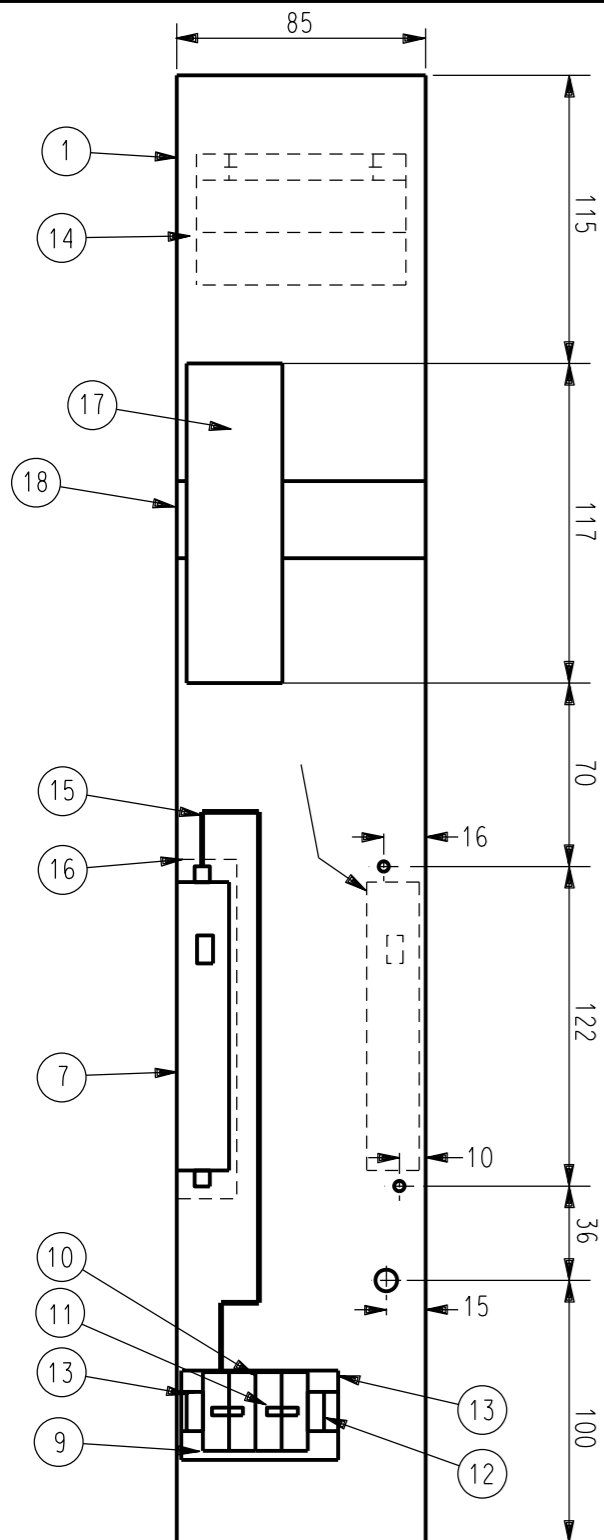
- 7 SHEET 2 ADDED
- 6 S/C FOR DOUBLE AND TRIPLE CB PANEL ADDED
- 5 ADDED TERMINAL BLOCK S126
- 4 DOUBLE INSULATED CONTROL ADDED
- 3 ITEM 15 CHANGED
- 2 S3-1-5-13 REFERENCE CHANGED TO S3-1-5-7
- 1 REDRAWN ON C.A.D. DIMENSIONS AND PARTS LIST AMENDED.

A.T.	I.B.	B.C.	SEP'16
A.T.	B.C.	S.C.	FEB,12
J.C.	B.C.	S.C.	FEB,08
A.S.	B.C.	S.C.	JULY'07
K.I.	R.S.	S.C.	MAR'07
K.I.	C.C.	C.C.	MAR'05
J.A.L.	S.C.M.	P.J.D.	MAY'95



DES	A.T.	N.T. STANDARD DRAWING		
DRN	gmck	CONTROL DATA SWITCH PACK LIGHTING COLUMNS INTEGRAL - SINGLE PHASE		
CKD	N.F.S.			
APPD	B.KENT			
SCALE	N.T.S.			
ISSUED	NOV'92	<b>A3</b>	<b>DRAWING NUMBER</b>	<b>S03-1-5-12_1</b>
ALL DIM. IN	mm			
DRAFTING STANDARD TO AS 1100		CAD PRODUCT — DO NOT AMEND MANUALLY		AMD

No.	AMENDMENT	DRN	CKD	APPD	DATE
-----	-----------	-----	-----	------	------



**NOTES :**

1. ALL MOUNTING HOLES TO BE 4 mm DIA
2. SECURE RAIL AND CIRCUIT BREAKER/S WITH SELF-TAPPING SCREWS (COUNTERSUNK FOR RAILS).
3. MOUNTING BRACKET TO BE RIVETED TO BASEPLATE.
4. WHEN USED WITH DOUBLE OR TRIPLE OUTREACH COLUMNS USE AN ADDITIONAL BREAKER IN POSITION SHOWN.
5. DOUBLE INSULATED IS REQUIRED IN AREAS WITH EARTHING PROBLEMS.UNNECESSARY WITH MAIN 35sq mm EARTH.

TAG No	QTY	DESCRIPTION	STOCK CODE
18	AR	DIN RAIL	....
17	AR	SERIES SURGE PROTECTOR 15kA	503737
16	1	SURFACE MOUNTNG ENCLOSURE C/W DIN RAIL	251819
15	1m	CABLE Cu 4 sq.mm PVC RED SDI	.....
14	1	MOUNTING BRACKET	-
13	1	TERMINAL 'C' RAIL	6536
12	2	END CLAMP	7278
11	2	BRIDGE BAR - C/W SUPPORTS	-
10	1	PHASE BARRIER UP TO	7393
9	4	TERMINAL BLOCK 35 sq.mm	7229
8	1	END PLATE	7252
7	1	CIRCUIT BREAKER- 9 kA - 10 A DIN	251827
6	2	STAINLESS STEEL 5 mm NUTS	-
5	1	STAINLESS STEEL 5 mm BOLT	-
4	1	STAINLESS STEEL 5 mm SPLIT WASHER	-
3	1	STAINLESS STEEL 5 mm WASHER	-
2	1	STAINLESS STEEL 5 mm 'STANKO' LUG	-
1	1	ALUMINIUM BASE PLATE 560mm X 85mm X 3mm	-

**MATERIAL SCHEDULE**

**ITEM 1 - SWITCH PACK LIGHTING COLUMN WITH SURGE PROTECTOR**

No.	AMENDMENT	DRN	CKD	APPD	DATE
7	PAGE 2 ADDED LED ARRANGMENT	K.T.	A.T.	B.C.	JUN'16
6	S/C FOR DOUBLE AND TRIPLE CB PANEL ADDED	A.T.	B.C.	S.C.	FEB,12
5	ADDED TERMINAL BLOCK SI26	J.C	B.C.	S.C	FEB,08
4	DOUBLE INSULATED CONTROL ADDED	A.S.	B.C.	S.C	JULY'07
3	ITEM 15 CHANGED	K.I.	R.S.	S.C	MAR'07
2	S3-1-5-13 REFERENCE CHANGED TO S3-1-5-7	K.I.	C.C.	C.C.	MAR'05
1	REDRAWN ON C.A.D.DIMENSIONS AND PARTS LIST AMENDED.	J.A.L.	S.C.M.	P.J.D.	MAY'95



DES	A.T.	N.T. STANDARD DRAWING		
DRN	gmck	CONTROL DATA SWITCH PACK LIGHTING COLUMNS INTEGRAL - SINGLE PHASE		
CKD	N.F.S.			
APPD	B.KENT			
SCALE	N.T.S.			
ISSUED	NOV'92	A3	DRAWING NUMBER	S03-1-5-12_2
ALL DIM. IN mm				
DRAFTING STANDARD TO AS 1100		CAD PRODUCT — DO NOT AMEND MANUALLY		AMD T