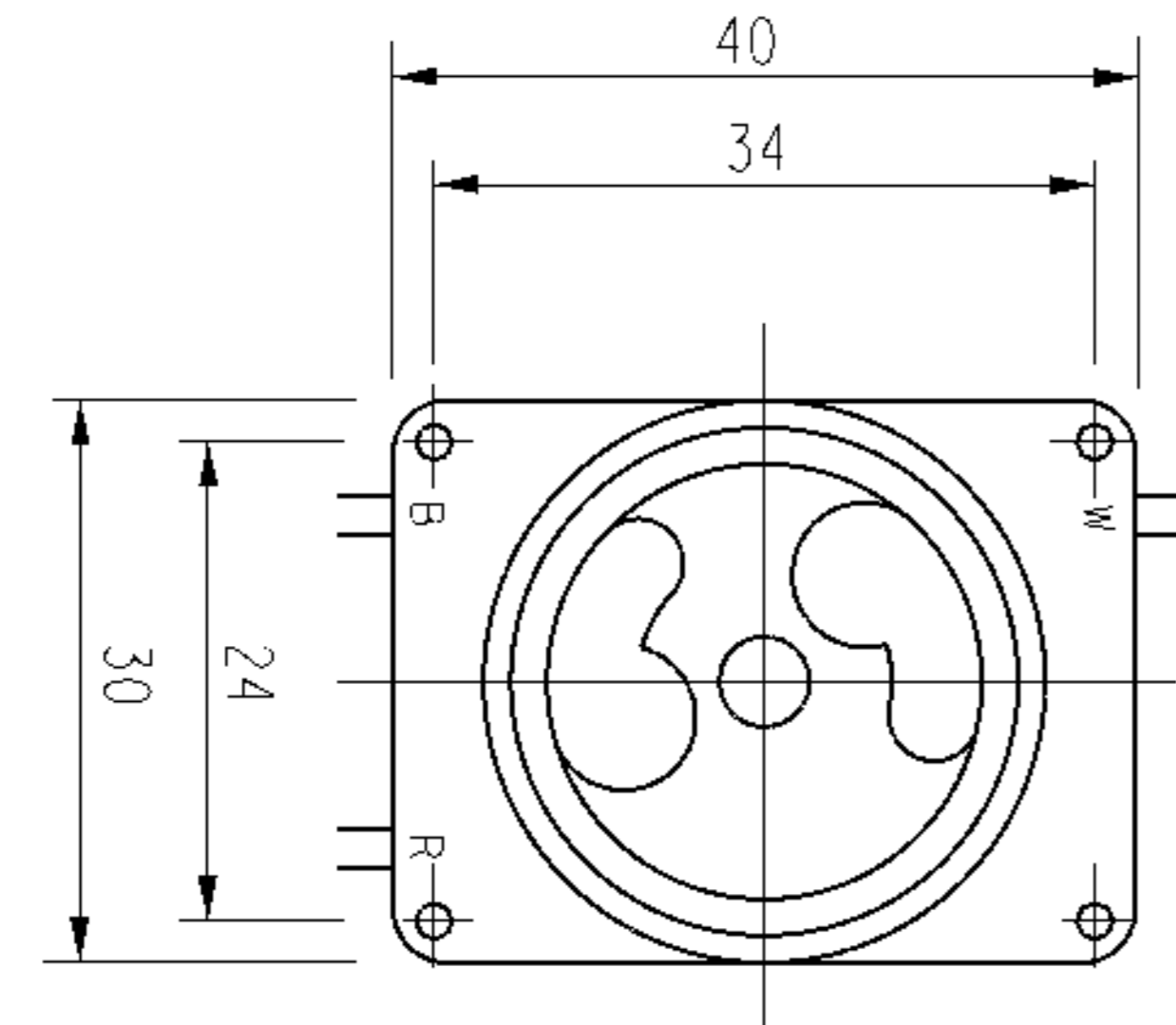


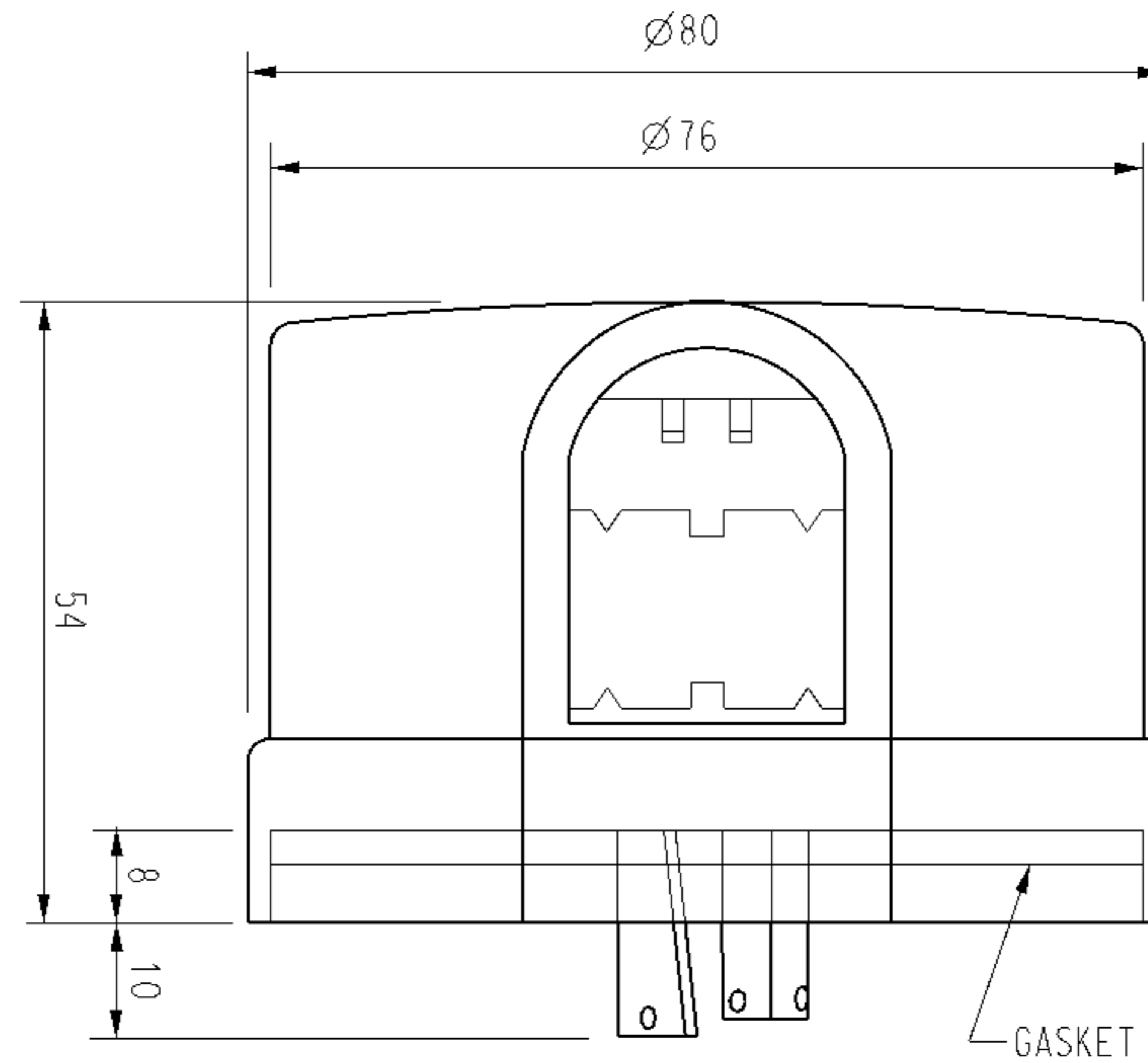
ITEM 1

STOCK CODE 7351
 PHOTOELECTRIC LIGHTING CONTROL - 240V, 3A
 VOLTAGE - 240V
 CURRENT RATING - 3A
 BASE TYPE - D2
 SHROUD - BLACK POLYOLEFIN
 OPERATION - THERMAL
 TESTS - TO JIS C8369
 SURGE PROTECTION - MOV
 P.A.W.A. SPECIFICATION - STS 027



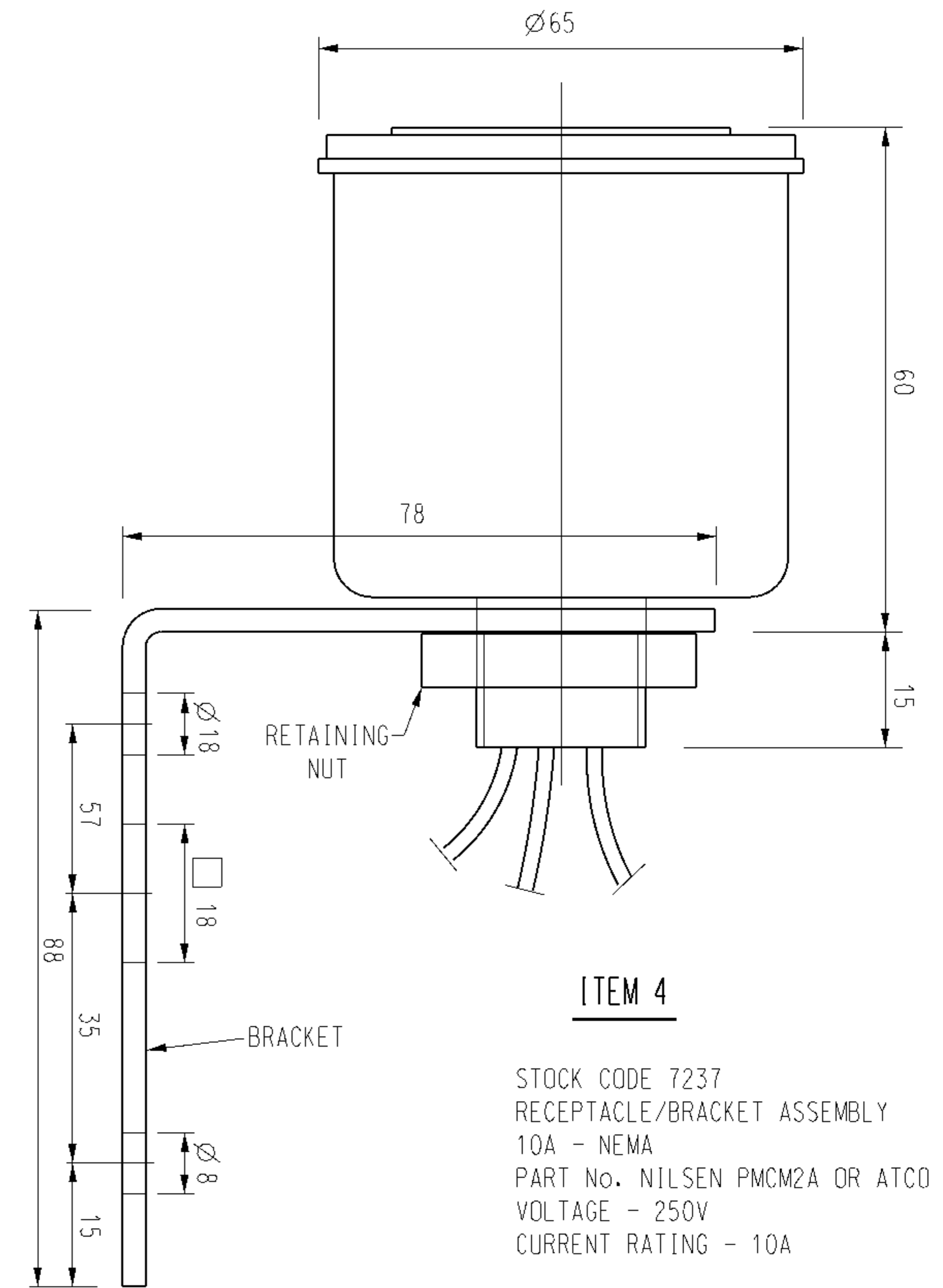
ITEM 2

STOCK CODE 7443
 RECEPTACLE 3A - D2
 PART No. SELCON J TYPE
 VOLTAGE - 250V
 CURRENT RATING - 3A




ITEM 3

STOCK CODE 6908
 PHOTOELECTRIC LIGHTING CONTROL - 240V, 10A
 VOLTAGE - 240V
 CURRENT RATING - 10A
 BASE TYPE - NEMA
 OPERATION - THERMAL
 SURGE PROTECTION - ENCLOSED TYPE EXPULSION DESIGN
 > 2.0 kV SPARK OVER
 > 10.0 KA FOLLOW THROUGH
 TESTS - TO BS5972
 P.A.W.A. SPECIFICATION - STS 027



ITEM 4

STOCK CODE 7237
 RECEPTACLE/BACKET ASSEMBLY
 10A - NEMA
 PART No. NILSEN PMCM2A OR ATCO 421071
 VOLTAGE - 250V
 CURRENT RATING - 10A

2 1	REDRAWN ON MICROSTATION, ITEM INFO FOR ITEMS 1, 2, 3 & 4 AMENDED, TITLE AMENDED. PART No's ADDED.	J.A.L. B.G.	-	F.R.R. N.S.	APR'01 MAR'90	 POWER AND WATER AUTHORITY NORTHERN TERRITORY	DES -	N.T. STANDARD DRAWING		
							DRN g.l.	CONTROL DATA SWITCHES AND RECEPTACLES PHOTOELECTRIC		
No.	AMENDMENT	DRN	CKD	APPD	DATE	DRAFTING STANDARD TO AS 1100	CKD B.M.W.	A3	DRAWING NUMBER	S3-1-5-10
							APPD B.T.K.			
							SCALE N.T.S.			
							ISSUED JUN'89			
							ALL DIM. IN mm U.N.O.			
							CAD PRODUCT — DO NOT AMEND MANUALLY		AMDT	