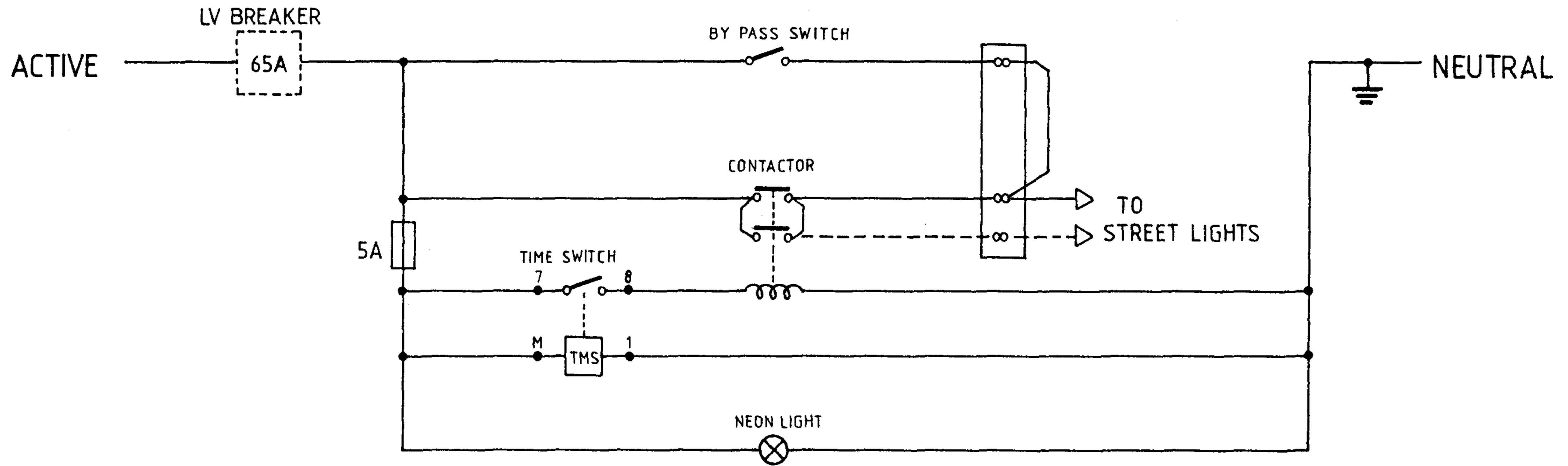


3RD ANGLE - NOT SCALE - REPORT ANY ERRORS, OMISSIONS TO DRAFTING OFFICE



Nº	AMENDMENT DESCRIPTION	DATE	INIT.	APPD
2	DRAWING NUMBER CHANGED FROM S-2/1/2/6 TO VOLUME 3 S3-1-5-5	7/88	HT	
1	GENERAL REVISION	1.85	TR	



DES J. Hassanen	NT STANDARD DRAWING	
DRN TOM LO ^{DMB}	TITLE	CONTROL DATA
CKD J. HASSANEN		LV BOX
APPD <i>T. Hassanen</i> 10/6		50 kVA - 11 kV
ISSUED		SCHEMATIC DIAGRAM (2)
DRAFTING STANDARD TO A.S. 1100	A3	DRAWING NUMBER S3-1-5-5
ALL DIM. IN mm	SCALE	SHEET 2

