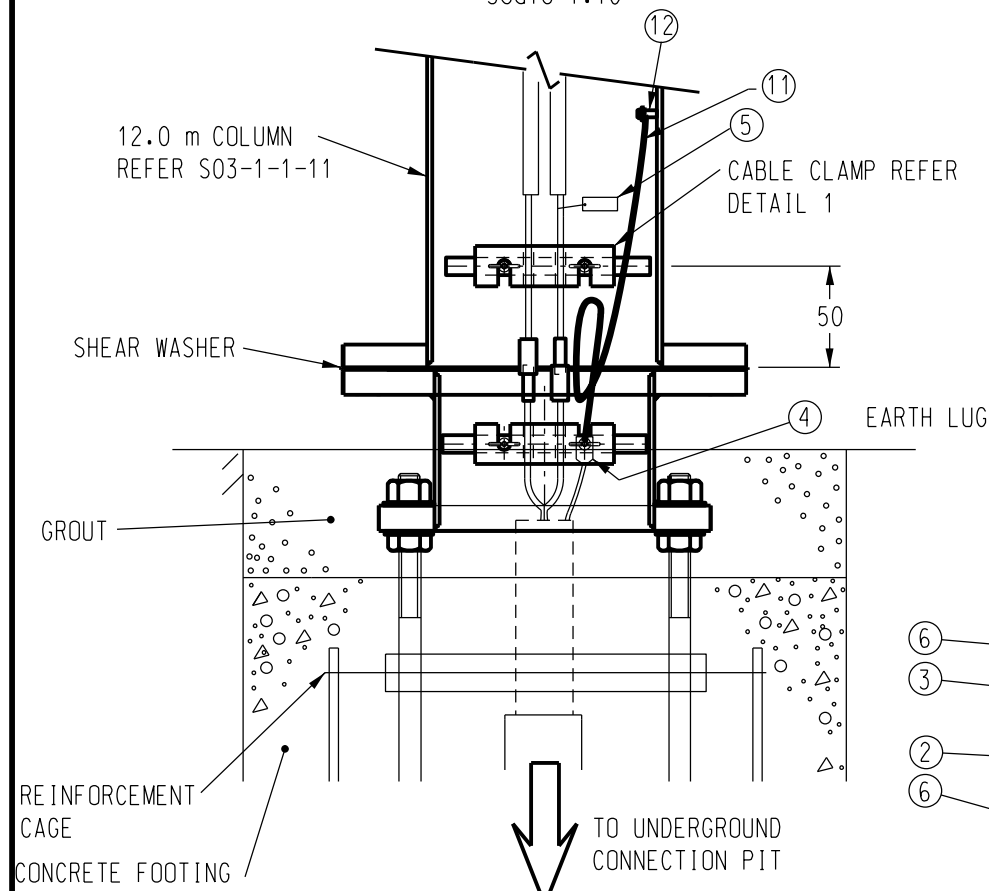
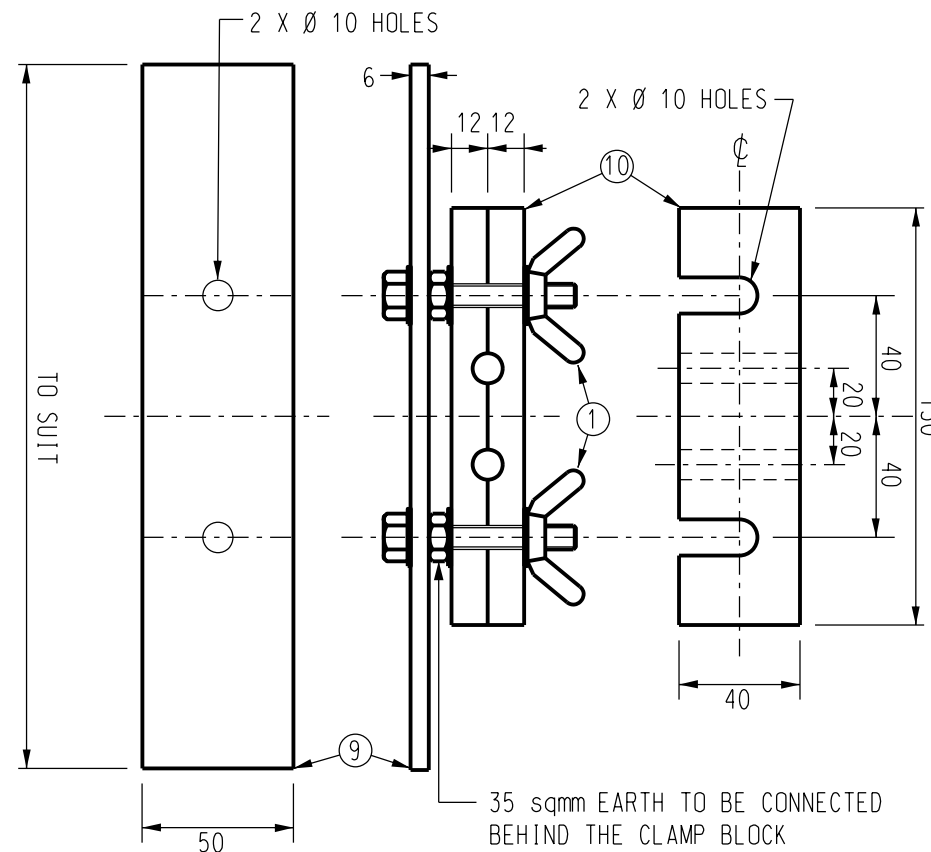


ELECTRICAL DISCONNECTION

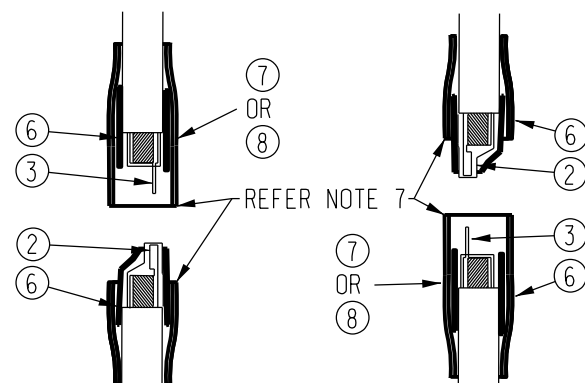
Scale 1:10



SECTION THROUGH SLIP BASE
N.T.S.



DETAIL 1 CABLE CLAMP & MOUNTING BRACKET DETAIL
N.T.S.



ACTIVE DETAIL 2 NEUTRAL PLUG AND SOCKET
N.T.S.

NOTES :

1. NEUTRAL AND ACTIVE CONDUCTORS ARE TO BE EFFECTIVELY COVERED WITH HEAT-SHRINKABLE TUBING.
2. SLIP BASE CONNECTORS TO BE ORIENTATED SO THAT SHROUDED MALE PLUG IS ON TOP.
3. END OF FEMALE SOCKET TO BE LOCATED FLUSH WITH SLIP PLANE.
4. NO SLACK TO BE LEFT IN ACTIVE AND NEUTRAL CABLES. EARTH CABLE SHALL HAVE 0.5M OF SLACK
5. FOR FOUNDATION DETAILS SEE DRAWING S03-1-2-04.
6. WHERE DOUBLE LUMINARIES ARE USED, THE TWO CABLES ARE CONNECTED AT THE SWITCH PACK.
7. PLUG AND SOCKET CONNECTIONS REVERSED TO PREVENT CROSS CONNECTION OF PHASES.

REFERENCED DRAWINGS :

- S03-1-1-11 : COLUMN STREET LIGHTING, SLIP BASE, TAPERED STEEL 12.0 m OUTREACH TYPE.
- S03-1-1-12 : SLIP BASE, 12.0 m COLUMN, OUTREACH TYPE.
- S03-1-2-02 : RAG BOLT REINFORCEMENT, TYPE 12 & TYPE 18 FABRICATION DETAILS.
- S03-1-2-04 : RAG BOLT REINFORCEMENT, SLIP BASE, 12.0 m COLUMN FOUNDATION ARRANGEMENT.
- S03-1-2-05 : INSTALLATION DETAILS, MECHANICAL AND ELECTRICAL.
- S03-1-6-03 : MISCELLANEOUS SLIP BASE POLE & PIT CONNECTION DETAILS.

TAG No	QTY.	DESCRIPTION	S/C	DRG REF
12	2	LUGS TO SUIT ITEM 11	N.S.I.	-
11	.5M	Y/GR INSULATED 6SQMM COPPER EARTH CABLE	2774	S02-1-1-23
10	2	CABLE CLAMP	N.S.I.	-
9	2	CABLE CLAMP MOUNTING BRACKET	N.S.I.	-
8	2	TUBING, POLYOLEFIN 13/6, WHITE	N.S.I.	-
7	1	TUBING, POLYOLEFIN 13/6, BLACK	N.S.I.	-
6	4	SLEEVE, CABLE POLYOLEFIN WITH INNER MASTIC	N.S.I.	-
5	2	TAG POLYTHENE BLACK NEUTRAL IDENTIFICATION	N.S.I.	-
4	1	LUG, COPPER, COMPRESSION, 35 sq.mm	282277	-
3	2	UTILUX CONNECTOR H2846	N.S.I.	-
2	2	UTILUX CONNECTION H3562	N.S.I.	-
1	4	M8 X 50 S/S SET SCREWS, WINGNUTS, HALF NUTS	N.S.I.	-

MATERIAL SCHEDULE

NO	DESCRIPTION	DRN	DATE	CKD	APPD
3	EARTHING DETAIL ADDED	C.C.	AUG'17	I.B.	B.C.
2	EARTH CABLE ADDED	C.C.	FEB'13	A.T.	B.C.
1	NOTE 6 AMENDED. ITEM 4 CHANGED.	RG1	DEC'00

AMENDMENTS



DES	M. BOCK	POWER STANDARD DRAWING		
DRN	J. LIVESLY	COLUMN, TAPERED STEEL, 12.0m, OUTREACH TYPE		
CKD	M. BOCK	SLIP-BASE MOUNTED		
APPD	F. ROBSON	ELECTRICAL CONNECTION DETAILS		
SCALE	AS SHOWN	A3	DRAWING NUMBER	S03-1-5-14
ISSUED	FEB'97			
ALL DIM.	IN mm	DRAFTING STANDARD TO A.S.1100		
CAD PRODUCT - DO NOT AMEND MANUALLY				AMDT