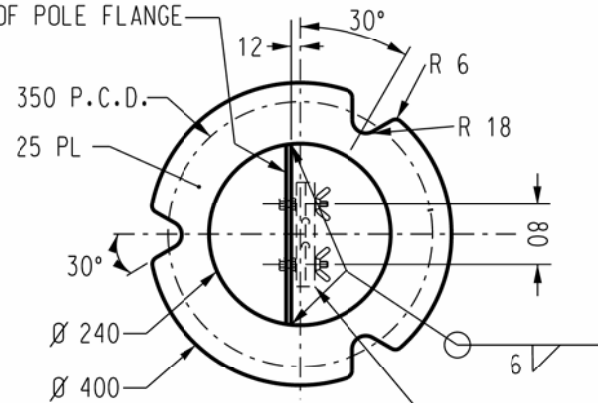


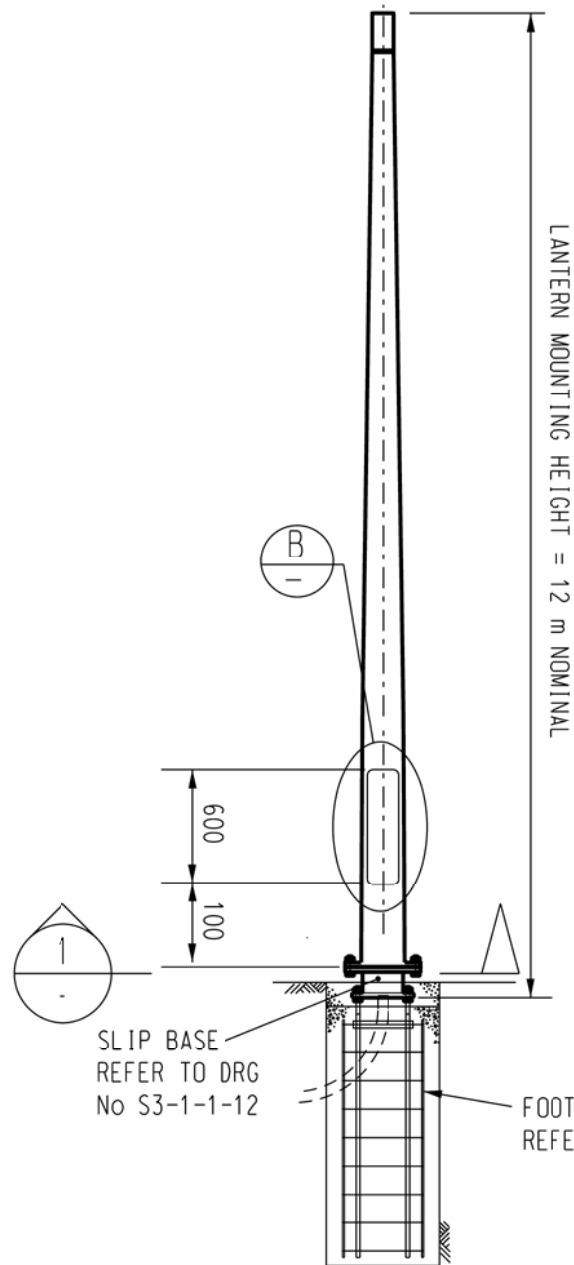
BRACKET INSET 75 mm
FROM FACE OF POLE FLANGE



REFER DRAWING S3-1-5-14
FOR CABLE CLAMP DETAIL

**BASE PLATE DETAIL
SECTION 1**

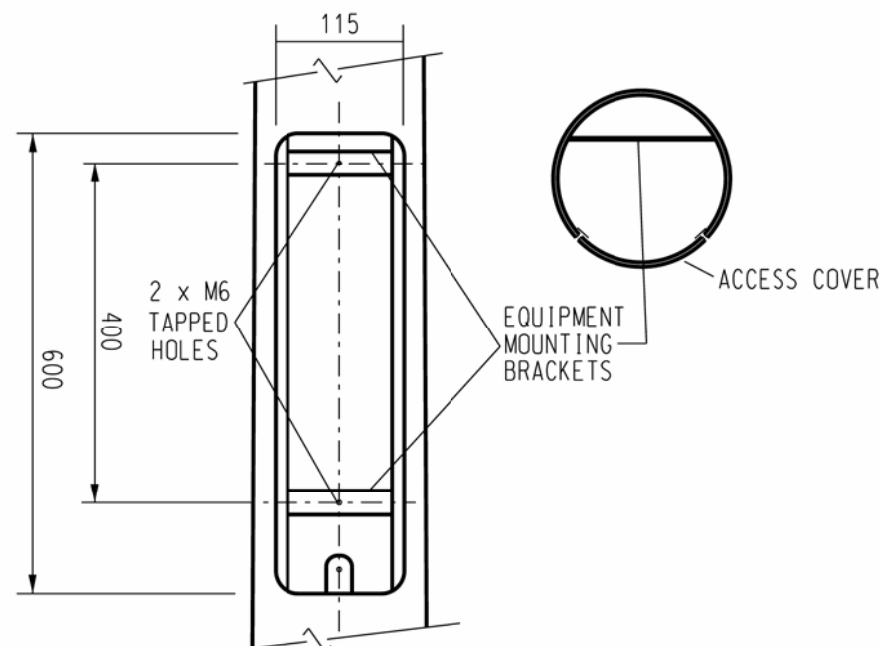
Scale 1:10



SLIP BASE
REFER TO DRG
No S3-1-1-12

FOOTING DETAIL
REFER S3-1-2-4

LANTERN MOUNTING HEIGHT = 12 m NOMINAL



EQUIPMENT ACCESS - DETAIL

Scale 1:10
(COVER REMOVED FOR CLARITY)



ITEM 1 - 12.0 m SPIGOT TYPE

STOCK CODE 297564
N.T.S.

NOTES :

1. ALL WELDING AND WELD PREPARATION TO BE IN ACCORDANCE WITH AS1554.
2. CIRCUMFERENTIAL WELDS TO BE JOGGLED BUTT TYPE. LONGITUDINAL WELDS TO BE SINGLE BUTT TYPE. ALL WELDS TO BE MADE BY CONTINUOUS AUTOMATIC PROCESS AND ARE NOT TO BE DRESSED SMOOTH.
3. AFTER FABRICATION ALL COMPONENTS TO BE ACID DE-SCALED AND HOT DIPPED GALVANIZED MINIMUM 450 g/sq.m TO AS4680.
4. WIND LOADINGS TO COMPLY WITH THE REQUIREMENTS OF AS1170.2 - SECTION 4 DESIGNS ARE TO BE BASED ON -
 - MAXIMUM WIND SPEED OF $V_u = 66$ m/sec DERIVED FROM A DESIGN LIFE OF 25 YEARS WITH A 5% PROBABILITY FACTOR OF V_u BEING EXCEEDED IN THAT PERIOD
 - MAXIMUM WIND SPEED OF $V_s = 47$ m/sec DERIVED FROM A DESIGN LIFE OF 25 YEARS WITH A 63% PROBABILITY FACTOR OF V_s BEING EXCEEDED IN THAT PERIOD WITH A MAXIMUM DEFLECTION LIMIT OF 4% OF NOMINAL LENGTH
 - REGION 'C' AND TERRAIN CATEGORY '3'
 - 4.5 m OUTREACH ARMS AS SHOWN ON DRAWING S3-1-1-10
 - LUMINAIRES WITH A WIND AREA OF 0.13 sq.m, A MASS OF 12 kg EACH AND A DRAG CO-EFFICIENT OF 0.5
5. COLUMNS ARE TO CONFORM TO THE REQUIREMENTS OF AS4100 AND AS1798.
6. COLUMNS ARE TO HAVE CONTINUOUS TAPER OVER THEIR ENTIRE LENGTH AND A STEEL THICKNESS OF NOT LESS THAN 3 mm.
7. TWO (OR MORE) PIECE COLUMNS MUST BE ASSEMBLED PRIOR TO DELIVERY.
8. ACCESS DOORS ARE NOT INTERCHANGEABLE. ENSURE THAT INDIVIDUAL COLUMNS AND DOORS ARE SUITABLY MATCHED AND MARKED.
9. EQUIPMENT ACCESS DOOR TO BE PROVIDED (DETAIL C) HAVING 'TAMPER PROOF' LOCKING DEVICE. DOOR ACCESS SCREW TO BE M10 STAINLESS STEEL I.S.O. METRIC BUTTON HEAD SOCKET TYPE.
10. ALL COLUMNS TO BE MANUFACTURED TO ACCEPT THE MOUNTING OF OUTREACHES AS SHOWN ON DRAWING S3-1-1-13.

REFERENCE DRAWINGS :

- S3-1-1-12 : SLIP BASE 12.0 m COLUMN OUTREACH TYPE.
- S3-1-2-2 : RAG BOLT REINFORCEMENT, TYPE 12 & 18 FABRICATION DETAILS.
- S3-1-2-4 : RAG BOLT REINFORCEMENT, SLIP BASE, 12.0 m COLUMN FOUNDATION ARRANGEMENT.
- S3-1-2-5 : INSTALLATION DETAILS, MECHANICAL AND ELECTRICAL
- S3-1-6-3 : MISCELLANEOUS SLIP BASE POLE & PIT CONNECTION DETAILS.
- S3-1-5-14 : ELECTRICAL CONNECTION DETAILS, SLIP BASE 12.0 m COLUMN.

						DES F. ROBSON		POWER STANDARD DRAWING	
						DRN R. INNES		COLUMN, TAPERED STEEL, 12.0m OUTREACH TYPE SLIP-BASE MOUNTED, SPIGOT TYPE SPECIFICATION AND FABRICATION DETAILS	
						CKD -			
						APPD F. ROBSON			
						SCALE AS SHOWN			
						ISSUED APR' 2001			
						ALL DIM. IN mm		A3	
						DRAWING NUMBER		S3-1-1-14	
						DRAFTING STANDARD TO A.S.1100		CAD PRODUCT - DO NOT AMMEND MANUALLY	
						AMDT			

NO	DESCRIPTION	DRN	DATE	CKD	APPD
1	ITEM 1 CHANGED FROM DOUBLE O/R TO SPIGOT TYPE	C.W.M.	MAY'10	A.T.	S.C.
AMENDMENTS					