

**NOTES**

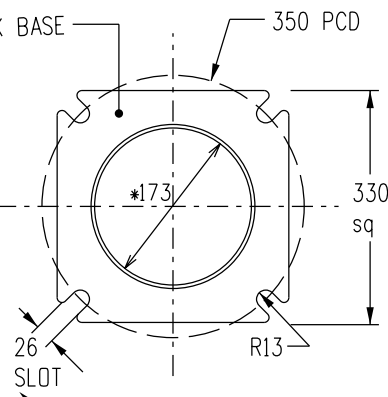
1. ALL WELDING AND WELD PREPARATION SHALL BE IN ACCORDANCE WITH AS1554.
2. CIRCUMFERENTIAL WELDS TO BE JOGGLED BUTT TYPE. LONGITUDINAL WELDS TO BE SINGLE BUTT TYPE. ALL WELDS TO BE MADE BY CONTINUOUS AUTOMATIC PROCESS AND ARE NOT TO BE DRESSED SMOOTH.
3. AFTER FABRICATION ALL COMPONENTS TO BE ACID DE-SCALED AND HOT DIPPED GALVANIZED MINIMUM 450g/sq.m TO AS1650.
4. WIND LOADINGS TO COMPLY WITH THE REQUIREMENTS OF AS1170.2 : 2002 DESIGNS ARE TO BE BASED ON -
  - REGIONAL WIND SPEED (V 500) = 70m/sec (66 + 5%)
  - WIND DIRECTION MULTIPLIER (Md) = 1.0
  - DESIGN LIFE = 25 YEARS
  - REGION 'C' AND TERRAIN CATEGORY '3'
  - 4.5m OUTREACH ARMS AS SHOWN ON DRAWING S3-1-1-10
  - LUMINAIRES WITH A WIND AREA OF 0.13sq.m, A MASS OF 12kg EACH AND A DRAG CO-EFFICIENT OF 0.5
5. COLUMNS ARE TO CONFORM TO THE REQUIREMENTS OF AS4100 AND AS1798.
6. COLUMNS ARE TO HAVE CONTINUOUS TAPER OVER THEIR ENTIRE LENGTH AND A STEEL THICKNESS OF NOT LESS THAN 3MM.
7. TWO PIECE COLUMNS MUST BE ASSEMBLED PRIOR TO DELIVERY.
8. ACCESS DOORS ARE NOT INTERCHANGEABLE. ENSURE THAT INDIVIDUAL COLUMNS AND DOORS ARE SUITABLY MATCHED AND MARKED.
9. EQUIPMENT ACCESS DOOR TO BE PROVIDED (DETAIL C) HAVING 'TAMPER PROOF' LOCKING DEVICE. DOOR ACCESS SCREW TO BE M10 STAINLESS STEEL I.S.D. METRIC BUTTON HEAD SOCKET TYPE.
10. ALL COLUMNS TO BE MANUFACTURED TO ACCEPT THE MOUNTING OF OUTREACHES AS SHOWN ON DRAWING S3-1-1-10.
11. POLE TYPE AND SET BACK TO COMPLY WITH AS1158.13. VEHICLE IMPACT ABSORBING TYPE SHALL BE USED WHERE REQUIRED.
12. 5.5 METER COLUMN (S.C.407082) COMES WITH 4.5m OUTREACH

**ITEM 1 - 5.5 METRE COLUMN - SINGLE OUTREACH TYPE**

N.T.S.

**OUTREACH MOUNTING PLATE - DETAIL**

Scale 1:10



**BASE PLATE - DETAIL**

Scale 1:10

**EQUIPMENT ACCESS - DETAIL**

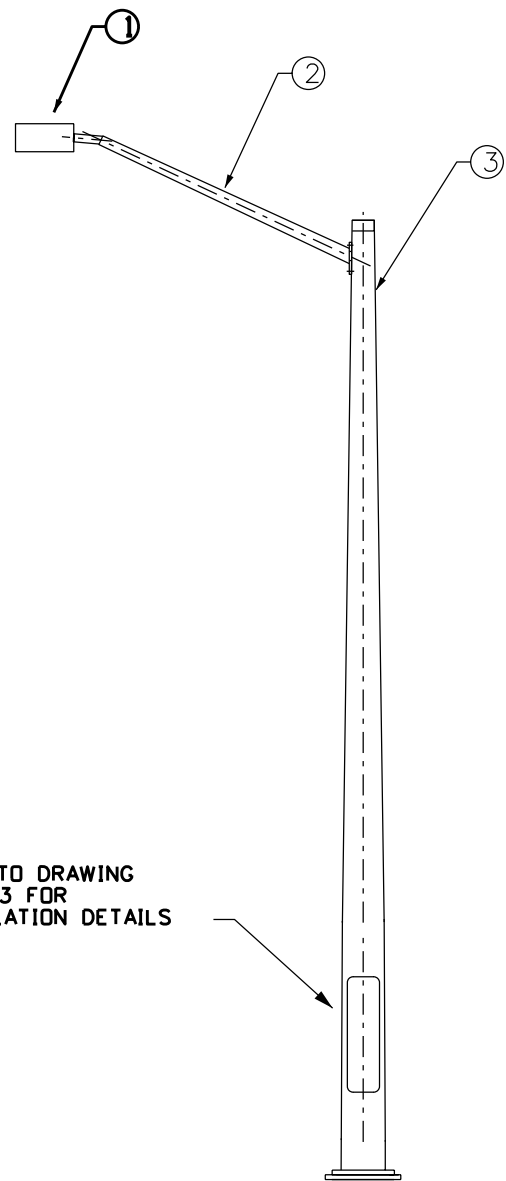
Scale 1:10  
(DOOR REMOVED FOR CLARITY)

NO	DESCRIPTION	DRN	DATE	CKD	APPD
12	COLUMN CHANGED TO VIAC TYPE ONLY	C.C.	MAY'11	A.T.	S.C.
11	NOTE 12 CHANGED	J.C.	NOV'07	B.C.	B.C.
10	NOTE 12 ADDED	J.C.	SEP'07	B.C.	B.C.
8	SHEET 2 ADDED	gmck	APR'93	N.S.	B.T.K.
7	'OBSOLETE CONSTRUCTION' NOTICE ADDED	gmck	NOV'91	N.S.	-
6	NOTE 4 AMENDED	gmck	SEP'91	N.S.	-
6	NOTE 4 AMENDED TO INCLUDE DRAG CO-EFFICIENT	gmck	SEP'91	N.S.	-
<b>AMENDMENTS</b>					

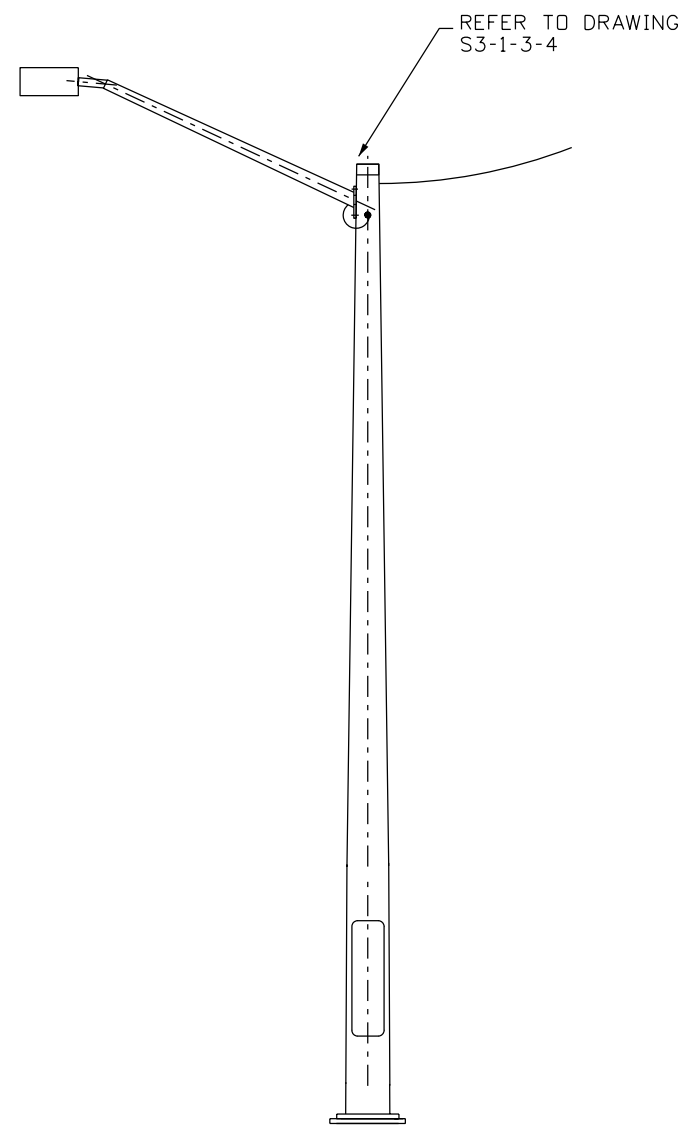


DES	POWER STANDARD DRAWING	
DRN	gmck	<b>COLUMN TAPERED STEEL 5.5 METRE PEDESTRIAN CROSSING</b>
CKD	N. STUBBS	
APPD	B.T. KENT	
SCALE	AS SHOWN	
ISSUED	FEB'91	
ALL DIM. IN	mm	<b>SHEET 1 OF 2</b>
DRAFTING STANDARD TO	AS.1100	
	<b>A3</b>	<b>DRAWING NUMBER</b> S03-1-1-5_1
		<b>CAD PRODUCT - DO NOT AMEND MANUALLY</b>





UNDERGROUND POWER SUPPLY WITH PIT



AERIAL POWER SUPPLY

TAG No	QTY	DESCRIPTION	S/C	DRG REF
1	1	FLOODLIGHT - PEDESTRIAN CROSSING	406922	S3-1-4-11
2	1	OUTREACH - TOPEND STEEL	TBA	S3-1-1-11
3	1	5.5m COLUMN - SINGLE OUTREACH TYPE	-	S3-1-1-5

1. LANTERN TO INCLUDE CONTROL GEAR. MAXIMUM WEIGHT OF LANTERN AND CONTROL GEAR TO BE 12KG.
2. MINIMUM CABLE SIZES AS PER AS3000 "SAA WIRING RULES"  
ALL CABLES TO COMPLY WITH MRS 11.95 "SWITCHBOARD AND CABLES"
3. ENSURE EARTH CONNECTION ARE PROPERLY TIGHTEN BEFORE INSTALLING LUMINAIRE TERMINAL PANEL.
4. POSITION OF LUMINARIES SHALL BE DETERMINED ON INSTALLATION.  
CONTACT DEPARTMENT OF PLANING AND INFRASTRUCTURE (DIPE) FOR DETAILS
5. LAMP AND CONTROL GEAR TO BE CONNECTED ACCORDING WITH MANUFACTURES SPECIFICATIONS

NO	DESCRIPTION	DRN	DATE	CKD	APPD
1	POLE BASE CHANGED, LANTERN TYPE CHANGED	A.T.	JUN'11	B.C.	S.C.
0	ISSUED FOR CONSTRUCTION	J.C.	SEP07	B.C.	B.C.
AMENDMENTS					



DES	B.CHEUNG	POWER STANDARD DRAWING		
DRN	J.COPPINS	COLUMN		
CKD	B.CHEUNG	TAPERED STEEL		
APPD	B.CHEUNG	5.5 METRE		
SCALE	N.T.S.	PEDESTRIAN CROSSING		SHEET 2 OF 2
ISSUED	SEP 07	A3	DRAWING NUMBER	S03-1-1-5_2
ALL DIM. IN	mm			
DRAFTING STANDARD TO A.S.1100		CAD PRODUCT - DO NOT AMEND MANUALLY		



AMDT