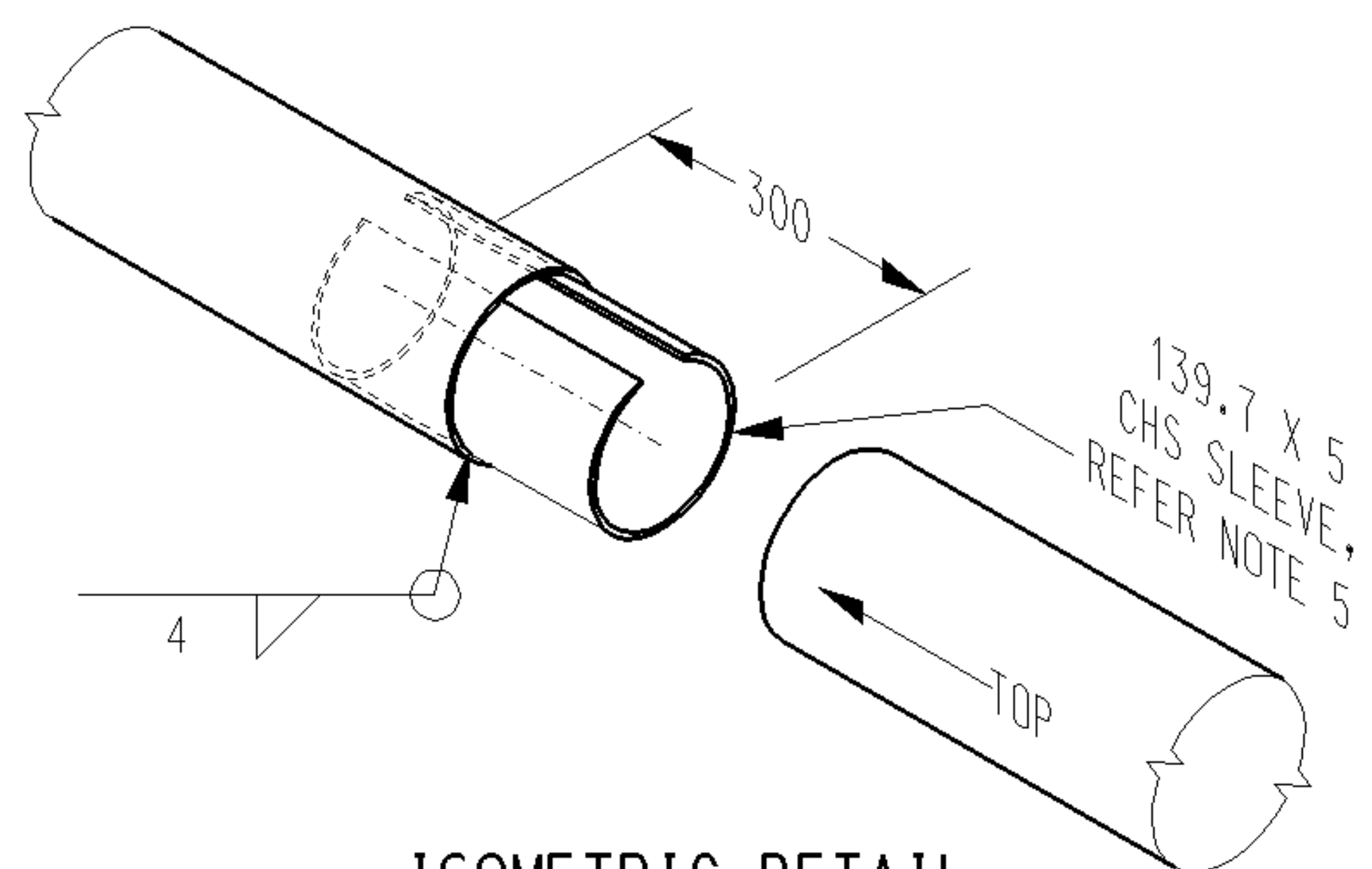


PLAN - BASEPLATE

BASE PLATE
REMOVE CORNERS
AS ILLUSTRATED



ISOMETRIC DETAIL
BUTT JOIN

NOTES:

1. ALL WELDS AND BLACK METAL SURFACES TO BE CLEANED AND COATED WITH COLD GALVANISING COMPOUND.
2. COLUMN TO BE LEFT GALVANISED ACCORDING TO AS 1650 - NO PAINTING REQUIRED.
3. ALL ROUGH OR BURRED EDGES ARE TO BE DRESSED CLEAN.
4. ALL WELDING AND WELD PREPARATION TO BE IN ACCORDANCE WITH AS 1554.
5. SLEEVE SPLIT TO FIT TIGHTLY INTO POLE.
6. 2.7m SECTION OF POLE FITTED OVER SLEEVE AND WELDED TO LOWER SECTION.
7. FULL LENGTH PIPES ARE PREFERRED TO WELDED PIPES.

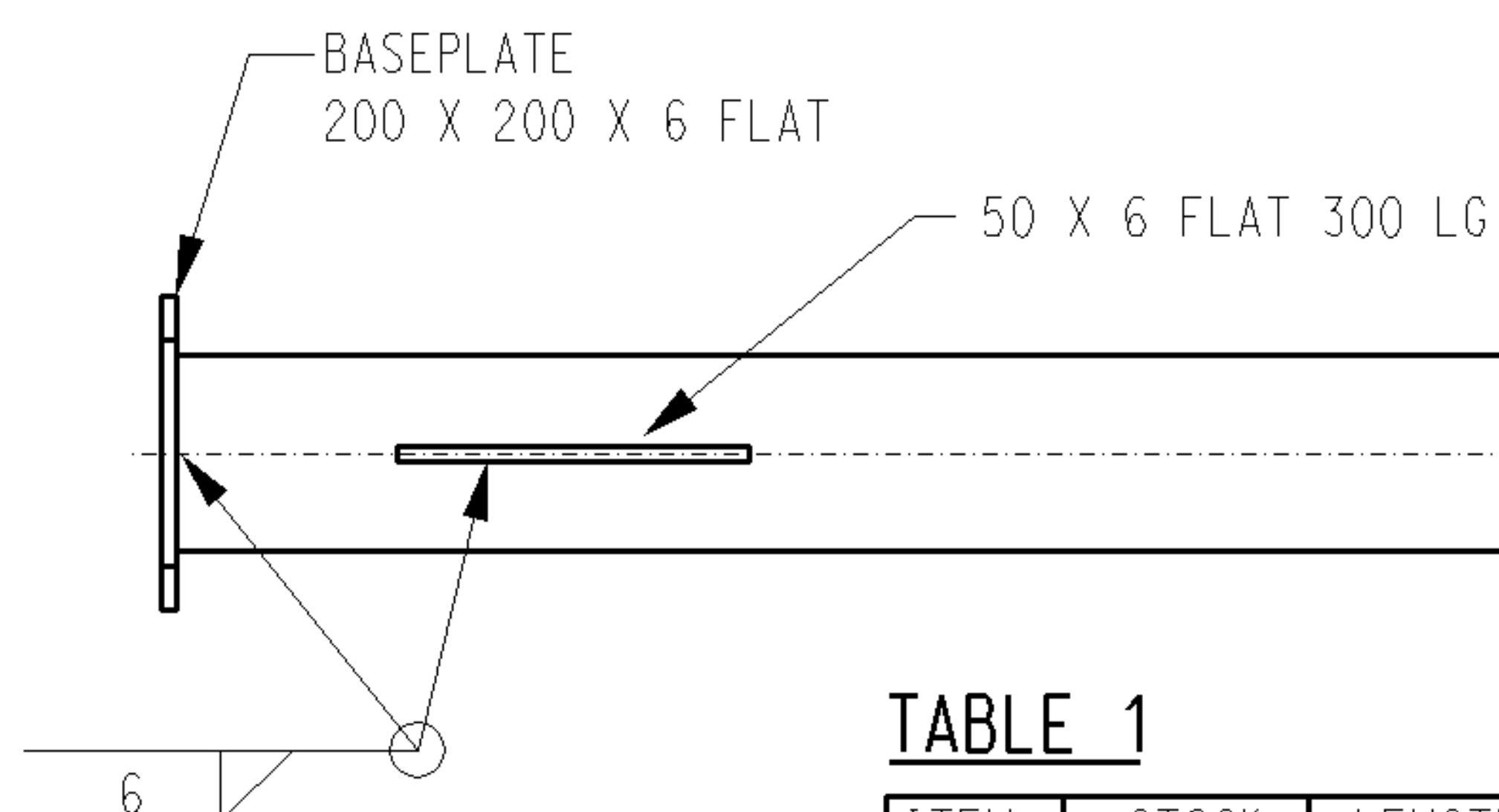
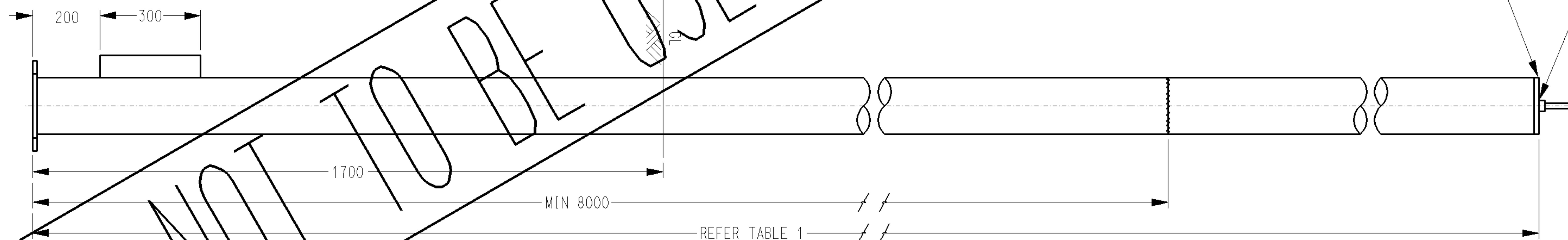


TABLE 1

ITEM	STOCK CODE	LENGTH	NOM DIA	FOOTING DEPTH
1	8938	9m	150	1700
2	8920	10.5m	165.1	1700

SIDE ELEVATION
STOCK CODE : 8920



ELEVATION

NOT TO BE USED FOR NEW CONSTRUCTION

NO	DESCRIPTION	DRN	DATE	CKD	APPD
7	NOT TO BE USED IN NEW STREETLIGHT CONSTRUCTION	A.S.	JAN' 06	C.C.	-
6	6mm PLATE CHANGED TO 125 x 10. M12 EARTH STUD REMOVED	K.J.	SEPT' 05	C.C.	-
5	EARTH STUD M12 x 50mm ADDED	A.S.	MARCH 00	-	F.R.R.
4	DETAIL AT JOIN CHANGED	R.G.I.	MARCH 00	-	F.R.R.
3	CHANGE TO BASE PLATE	R.G.I.	JUNE 98	-	F.R.R.
2	REDRAWN, NOTE 5 ADDED	J.A.L.	JULY 95	S.C.M.	P.J.D.
1	DIMENSIONS REVISED, DETAIL REMOVED	R.T.F.	MAY'90	-	N.S.

POWER AND WATER AUTHORITY

NORTHERN TERRITORY

DES	A.B.	POWER STANDARD DRAWING	
DRN	C.DUANE	COLUMN STEEL 10.7 METRE	DRAWING NUMBER S3-1-1-3
CKD	N.S.		
APPD	B.K.		
SCALE	N.T.S.	A3	DRAWING NUMBER S3-1-1-3
ISSUED	MAR'90		
ALL DIM.	IN mm	CAD PRODUCT - DO NOT AMMEND MANUALLY	