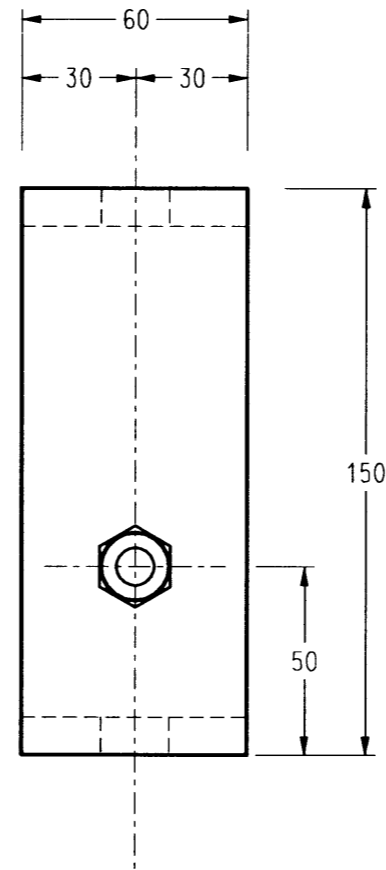
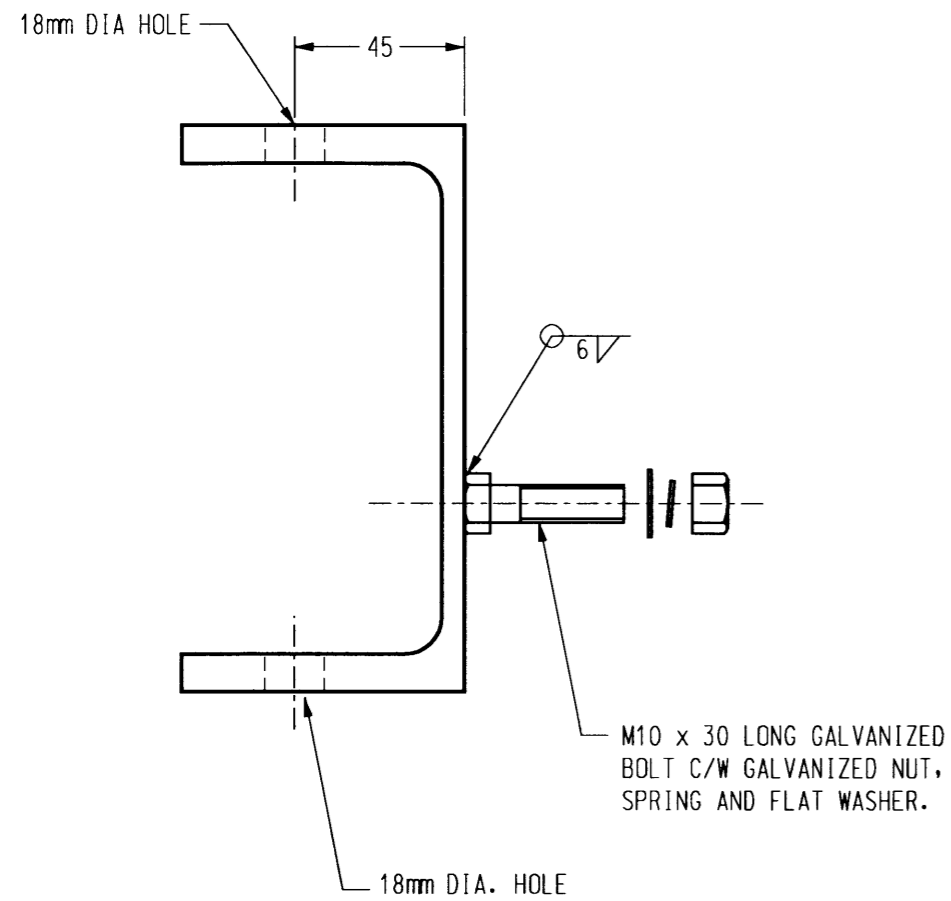


3RD ANGLE -DO NOT SCALE - REPORT ANY ERRORS, OMISSIONS TO DRAFTING OFFICE



NOTES :

1. ALL WORKMANSHIP AND MATERIALS SHALL BE IN ACCORDANCE WITH AS 3678.
2. ALL WELDING AND WELD PREPARATION SHALL BE IN ACCORDANCE WITH AS1554. FILLET WELDS TO BE 6mm U.N.O.
3. ALL ROUGH OR BURRED EDGES ARE TO BE DRESSED CLEAN
4. BRACKET TO BE MOUNTED UNDER LV CROSSARM, WHERE
 - A) STREET LIGHT FUSE IS REQUIRED
 - B) AERIAL BUNDLED CABLE HOOK BOLT IS REQUIRED (CONVERSION FROM OPEN WIRE, REFER DRG. S4-2-1-22).

						 POWER AND WATER AUTHORITY NORTHERN TERRITORY	DES	H. TOMES	POWER STANDARD DRAWING	
							DRN	A. DAVIS	BRACKET STREET LIGHT FUSE MOUNTING LV CROSSARM	
						CKD	R. INNES	A3		
						APPD	F. ROBSON		DRAFTING STANDARD TO A.S.1100	CAD PRODUCT — DO NOT AMEND MANUALLY
						SCALE	1:2	AMDT		
						ISSUED	MAY'98			
						ALL DIM. IN mm				
1	REDRAWN ON CAD	A. D	MAY'98	R. I.	F. R.					
NO	DESCRIPTION	DRN	DATE	CKD	APPD					
AMENDMENTS										