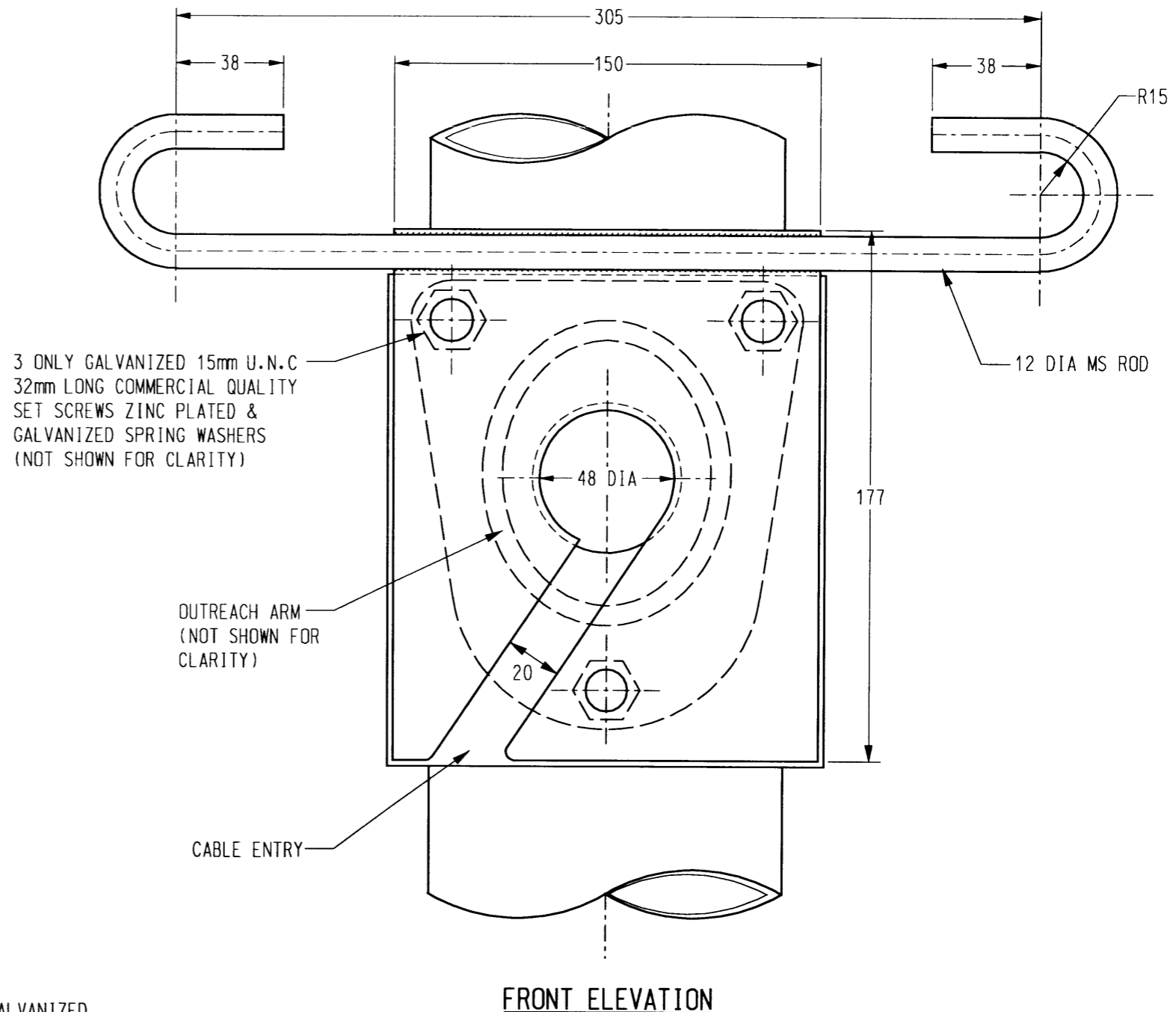
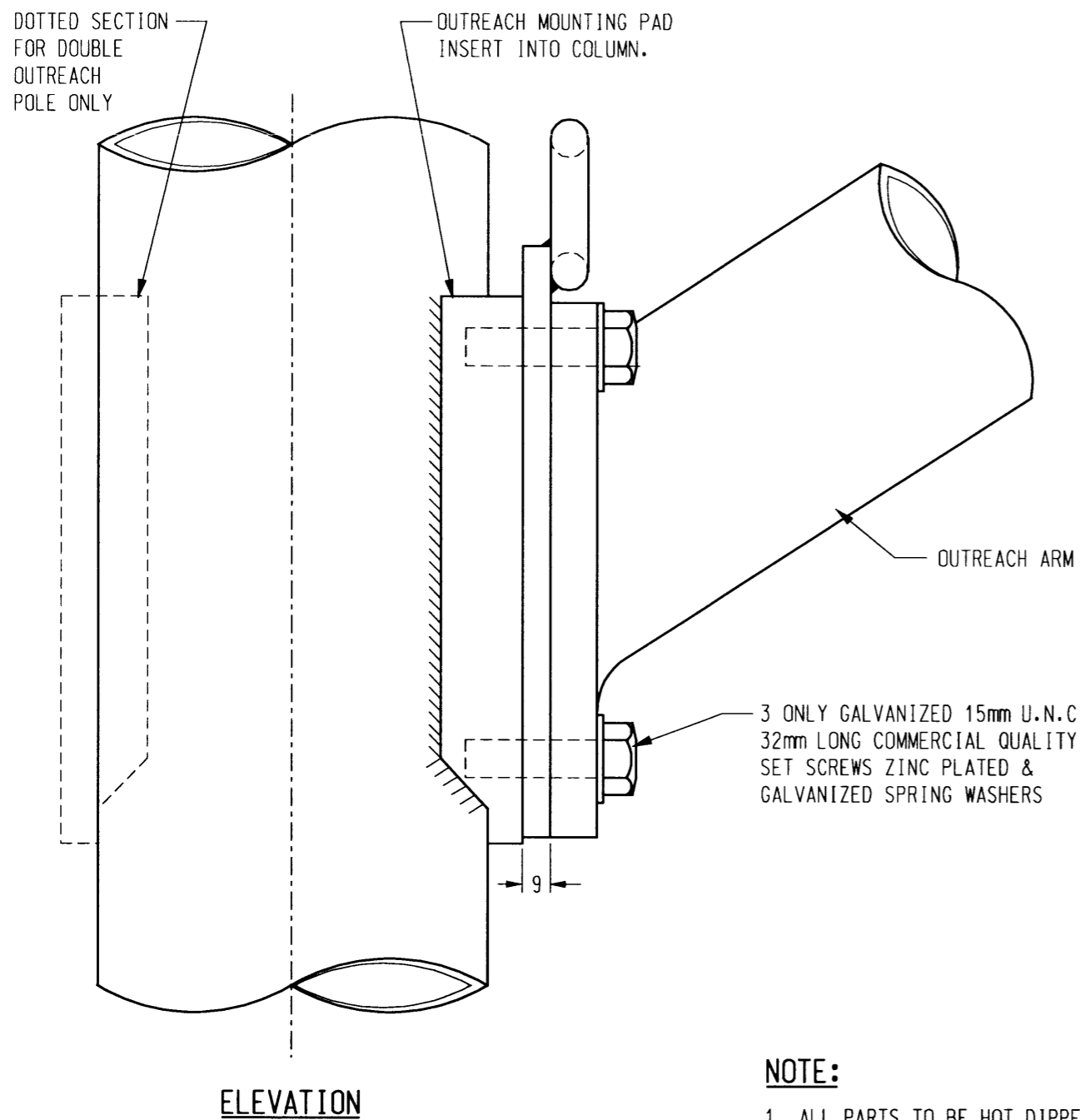


3RD ANGLE -DO NOT SCALE - REPORT ANY ERRORS, OMISSIONS TO DRAFTING OFFICE



NOTE:
 1. ALL PARTS TO BE HOT DIPPED GALVANIZED
 2. NOT A STOCK ITEM.

3 REDRAWN ON CAD 2 TITLE AND DRAWING NUMBER CHANGED 1 NOTE ADDED		A.D 05/98 - 11/87 - 1/87	R.I. - -	F.R. QLT B.K.	 NORTHERN TERRITORY	DES G. McSHANAG DRN A. DAVIS CKD R. INNES APPD F. ROBSON SCALE 1:2 ISSUED MAY '98 ALL DIM. IN mm	POWER STANDARD DRAWING BRACKET TEMPORARY TERMINATION TAPERED OUTREACH	A3 DRAWING NUMBER S3-1-3-4	 AMDT
NO DESCRIPTION AMENDMENTS	DRN DATE CKD APPD	DRAFTING STANDARD TO A.S.1100 CAD PRODUCT — DO NOT AMEND MANUALLY							