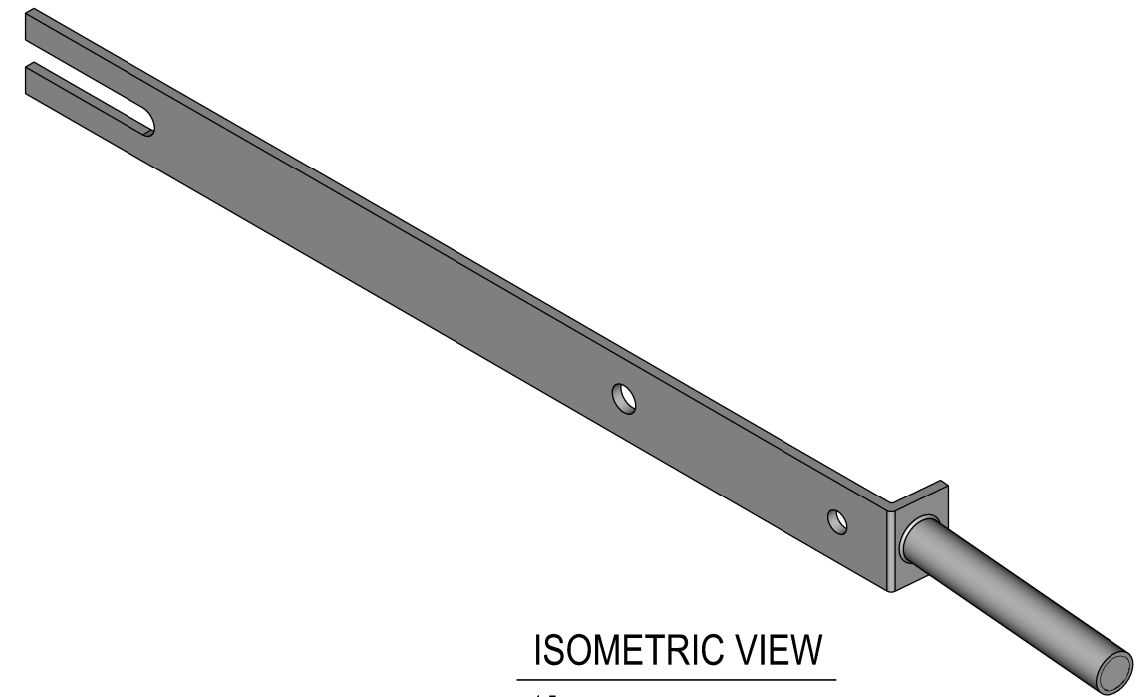


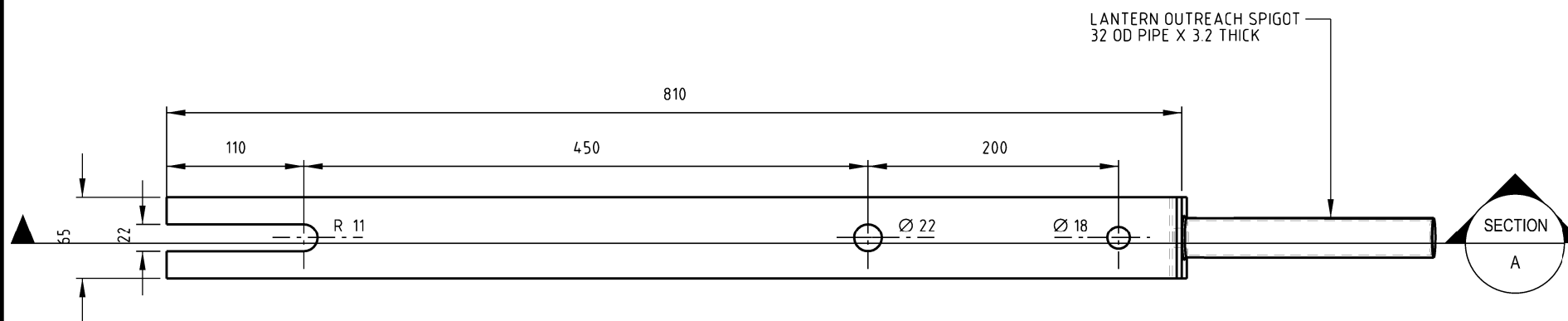
SIDE ELEVATION

1:2.5



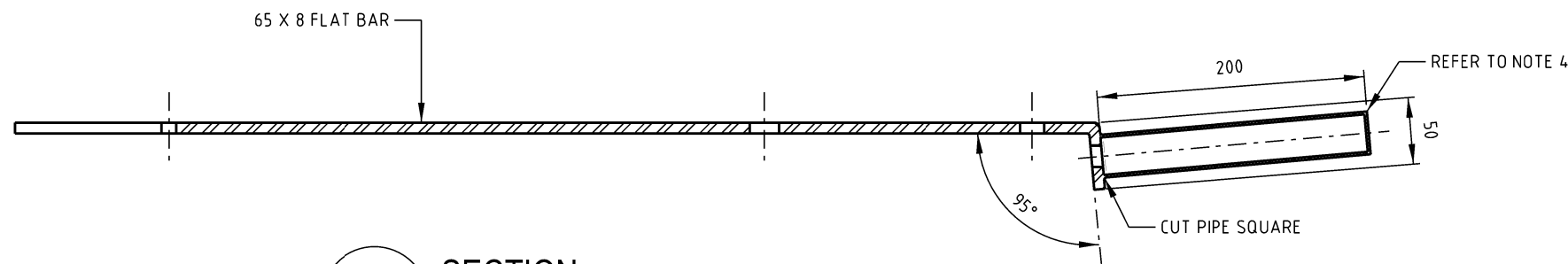
ISOMETRIC VIEW

1:5



PLAN VIEW

1:5



SECTION A

1:5

**ITEM 1 - LANTERN OUTREACH BRACKET
(ITEM NUMBER - 115105)**

NOTES:

1. ALL WORKMANSHIP AND MATERIALS SHALL BE IN ACCORDANCE WITH AS3678.
2. ALL WELDING AND WELD PREPARATION SHALL BE IN ACCORDANCE WITH AS1554. FILLET WELDS TO BE 6mm UNO.
3. ALL ROUGH OR BURRED EDGES ARE TO BE DRESSED CLEAN.
4. SPIGOT ANGLE TO BE SET FOR 5° UPCAST.
5. OUTREACH MOUNTING PLATE SHALL BE INSTALL FLUSH WITH LV CROSSARM.
6. MAXIMUM WEIGHT LIMIT OF 10kg.

DRG NO	DESCRIPTION	NO	DESCRIPTION	DRN	DATE	CKD	APPD
x	x	15	NOTE 5 & 6 ADDED	C.C.	OCT'18	B.V.	B.C.
		14	CHANGE MANUFACTURING TECHNIQUE	R.G.I	JUN'98	-	F.R.R.
ASSOCIATED DRAWINGS			AMENDMENTS				



DES		POWER STANDARD DRAWING	
DRN	R HAIGH	BRACKET	
CKD	GMCK	LANTERN OUTREACH	
APPD	T.M-L	LV CROSSARM	
SCALE	B.T.K.	A3	DRAWING NUMBER S03-1-3-02
ISSUED	AS SHOWN		
ALL DIM. IN mm	FEBRUARY 1985		
DRAFTING STANDARD TO A.S.1100		CAD PRODUCT - DO NOT AMEND MANUALLY	

