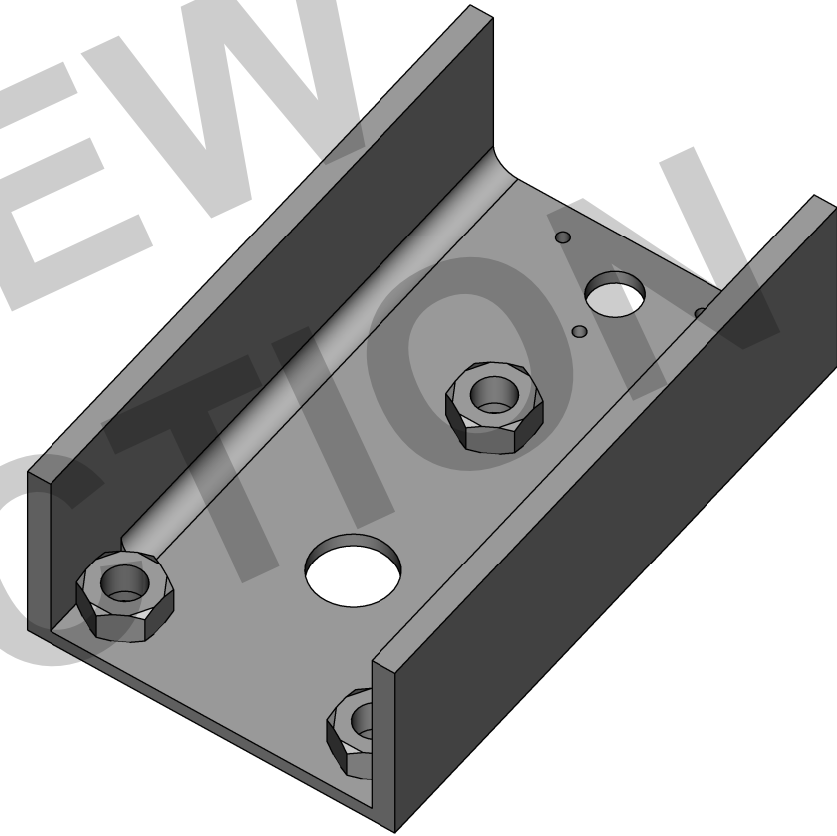


PLAN VIEW

1:2.5

SIDE ELEVATION

1:2.5



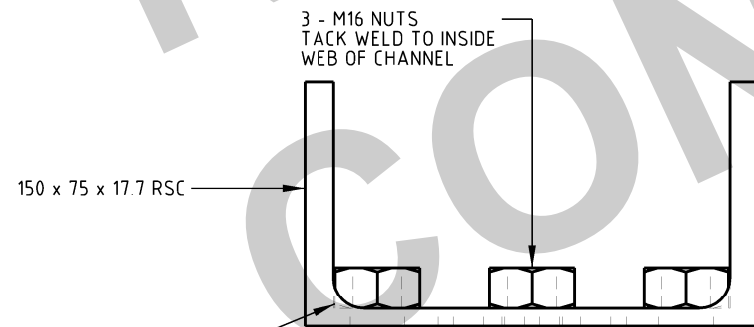
ISOMETRIC VIEW MOUNTING BRACKET

1:2.5

(ITEM NUMBER 8664)

NOTES:

1. MATERIAL TO BE TO AS 3679 GRADE 250
2. ALL ROUGH OR BURRED EDGES ARE TO BE DRESSED CLEAN.
3. PAINTING OF BRACKET IS NOT REQUIRED.
4. FOR POWER POLES LESS THAN 200mm WIDE, USE ITEM 2 (S.C. 203611) DRAWING S04-1-2-02.



FRONT ELEVATION

1:2.5

GRIND INSIDE RADIUS OF CHANNEL TO ALLOW NUT TO BE WELDED FLAT ON INSIDE WEB

DRG NO	DESCRIPTION	NO	DESCRIPTION	DRN	DATE	CKD	APPD
x	x	6	MARKED NOT FOR NEW CONSTRUCTION	C.C.	OCT'18	B.V.	B.C.
		5	ADD NOTE 4	K.I.	SEP'05	C.C.	C.C.
		4	DIMENSION CHANGED TO MATCH S3-1-1-10 & NOTE 1 AMENDED.	J.A.L.	MAR'95	S.C.M.	P.J.D.
		3	REDRAWN AND DRAWING NUMBER AMENDED	g.mck	JAN'88	-	G.S.
ASSOCIATED DRAWINGS		AMENDMENTS					



DES		POWER STANDARD DRAWING	
DES	G.MCSHANNAG	BRACKET	
DRN	G.MCK	150mm CHANNEL	
CKD	G.SCHUBERT	TAPERED OUTREACH	
APPD	T.R.GOUDIE		
SCALE	N.T.S.		
ISSUED	JANUARY 1986	A3	DRAWING NUMBER
ALL DIM. IN mm			S03-1-3-01
DRAFTING STANDARD TO A.S.1100		CAD PRODUCT - DO NOT AMEND MANUALLY	



AMDT