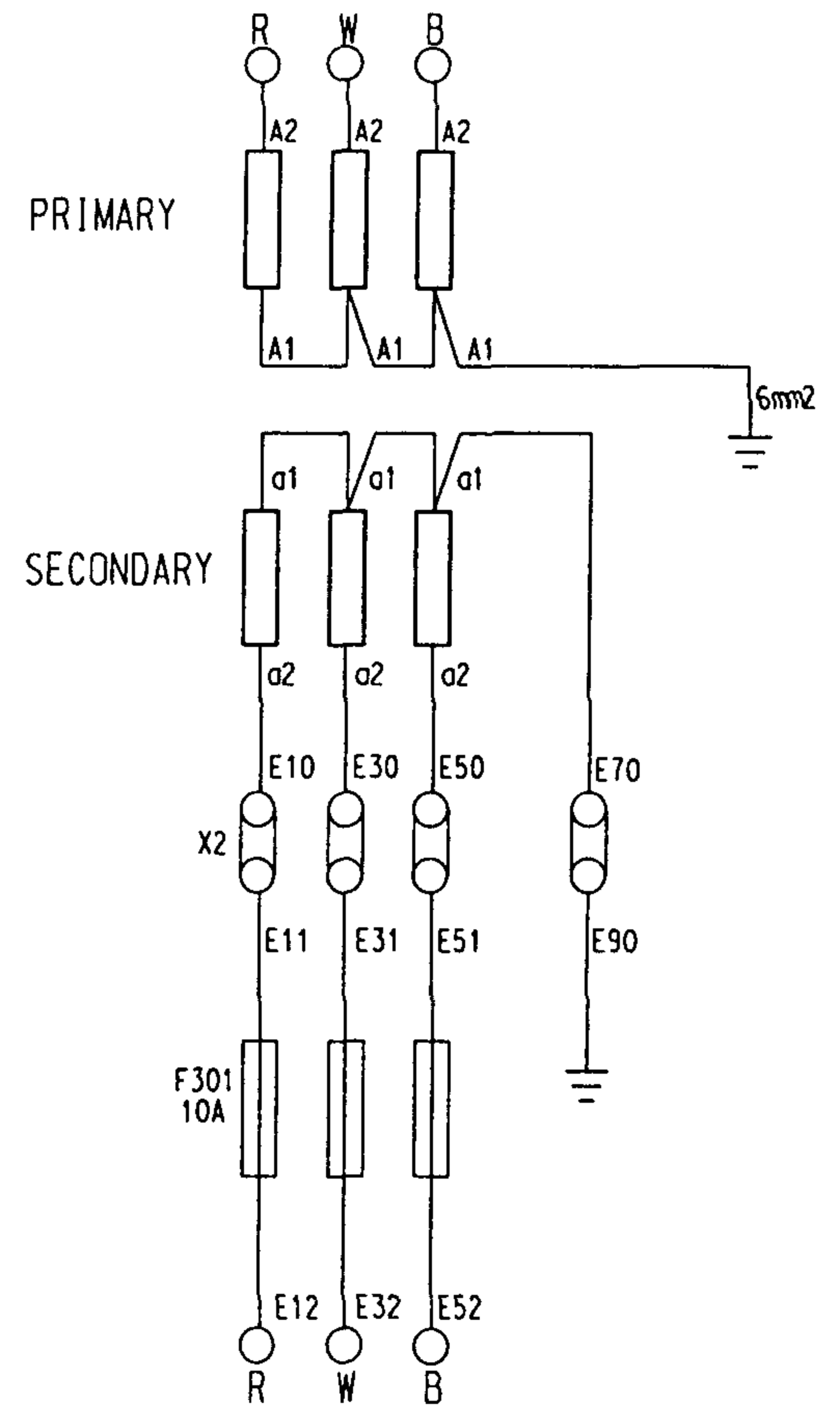
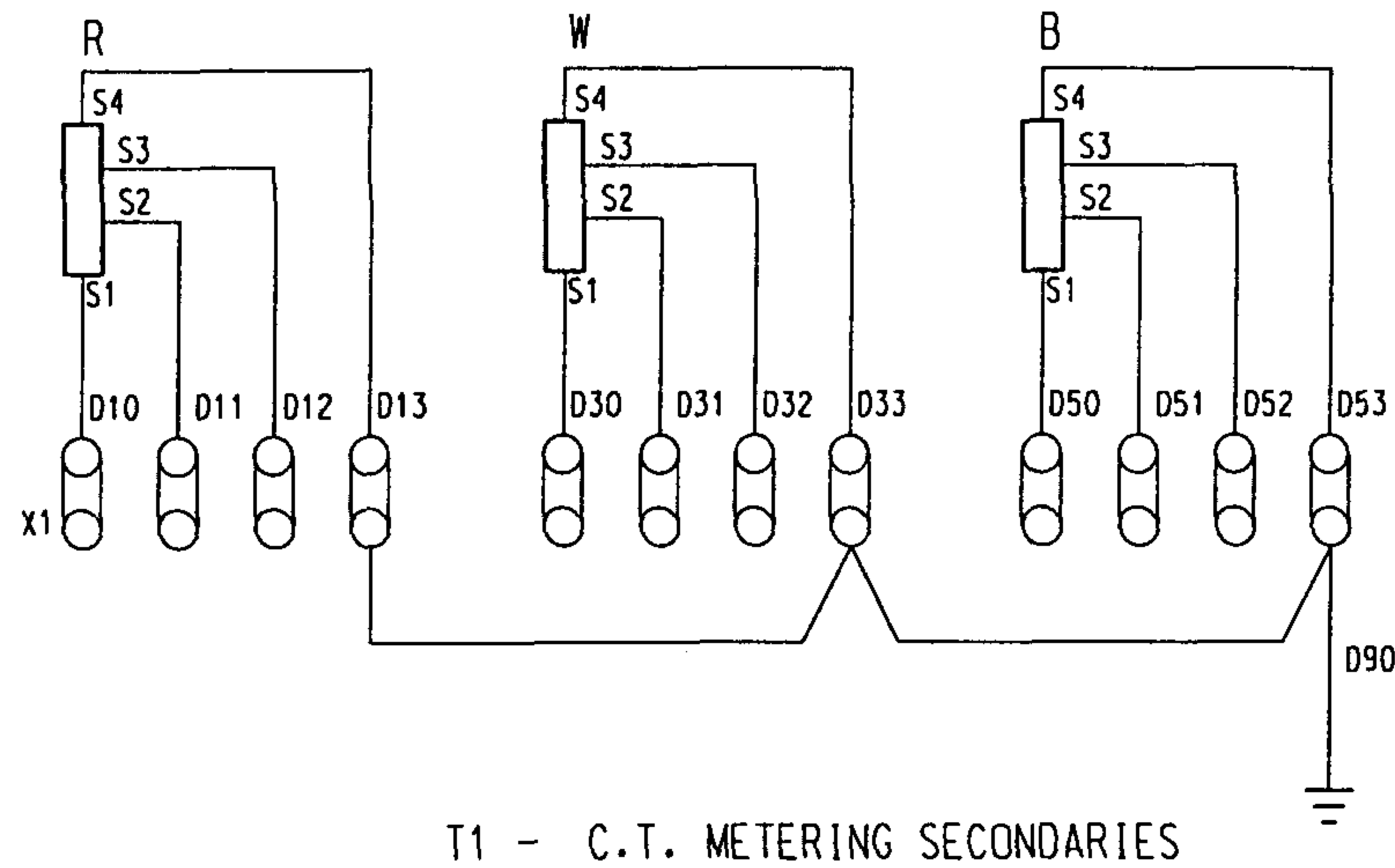


SINGLE LINE DIAGRAM



SCHEMATIC DIAGRAMS

No.	AMENDMENT	DRN	CKD	APPD	DATE	 NORTHERN TERRITORY	DES S.L.S.	<b>N.T. STANDARD DRAWING</b> SWITCHING STATION HV METERING SINGLE LINE AND SCHEMATIC DIAGRAMS	
							DRN T.C.		
							CKD pnc	<b>A3</b> DRAWING NUMBER S2-2-7-11	DRAFTING STANDARD TO AS 1100 CAD PRODUCT — DO NOT AMEND MANUALLY AMDT
							APPD P.J.D.		
							SCALE -		
							ISSUED NOV 94		
							ALL DIM. IN mm		