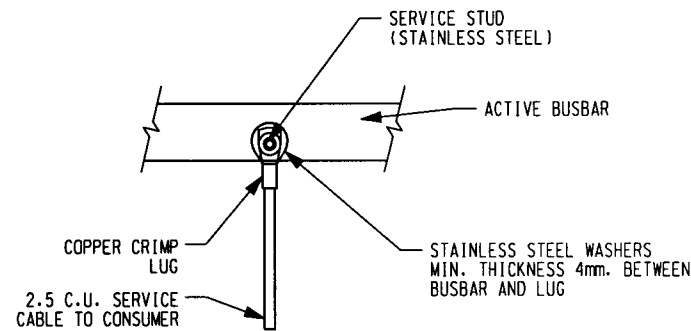
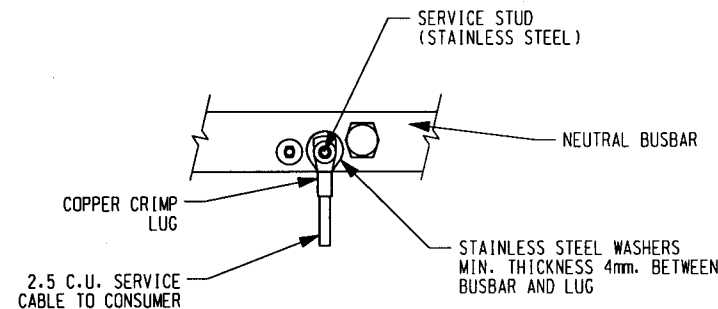


SECTION SHOWING INSTALLATION OF UNMETERED SERVICE



DETAIL A



DETAIL B

NOTES:

1. THIS INSTALLATION IS TO BE USED IN THE FOLLOWING APPLICATIONS
TELECOM TELEPHONE CABINET. (24 HOUR SUPPLY)
BUS SHELTERS (IN CASE SUPPLY IS TO BE TAKEN FROM A STREETLIGHT SWITCHWIRE)
OTHERS AS APPROVED
2. CONSUMER TO MAKE APPLICATION FOR ELECTRICITY SUPPLY PRIOR TO INSTALLATION.
3. ALL WORK TO BE CARRIED OUT IN ACCORDANCE WITH S.A.A. WIRING RULES AND POWER AND WATER REGULATIONS.

5	REDRAWN IN CAD CB AND BUS SHELTER ADDED	K.I.	JUL '05	R.C.	C.C.
4	TITLE & DWG No. CHANGED	..	JUN '88
3	NOTES TO DETAILS 'A' & 'B' AMENDED	B.C.	FEB '85
2	GENERAL REVISION	G.M.	OCT '85
1	REDRAWN & REVISED	T.R.	JAN '85
NO	DESCRIPTION	DRN	DATE	CKD	APPD
AMENDMENTS					

DES	R.HAIGH	POWER STANDARD DRAWING		
DRN	T.RICARDO	INSTALLATIONS UNMETERED SERVICE UNDERGROUND		
CKD	...			
APPD	...			
SCALE	NTS			
ISSUED	4.2.86	A3	DRAWING NUMBER	S02-2-1-02
ALL DIM. IN	mm			
DRAFTING STANDARD TO A.S.1100		CAD PRODUCT — DO NOT AMEND MANUALLY		AMD T