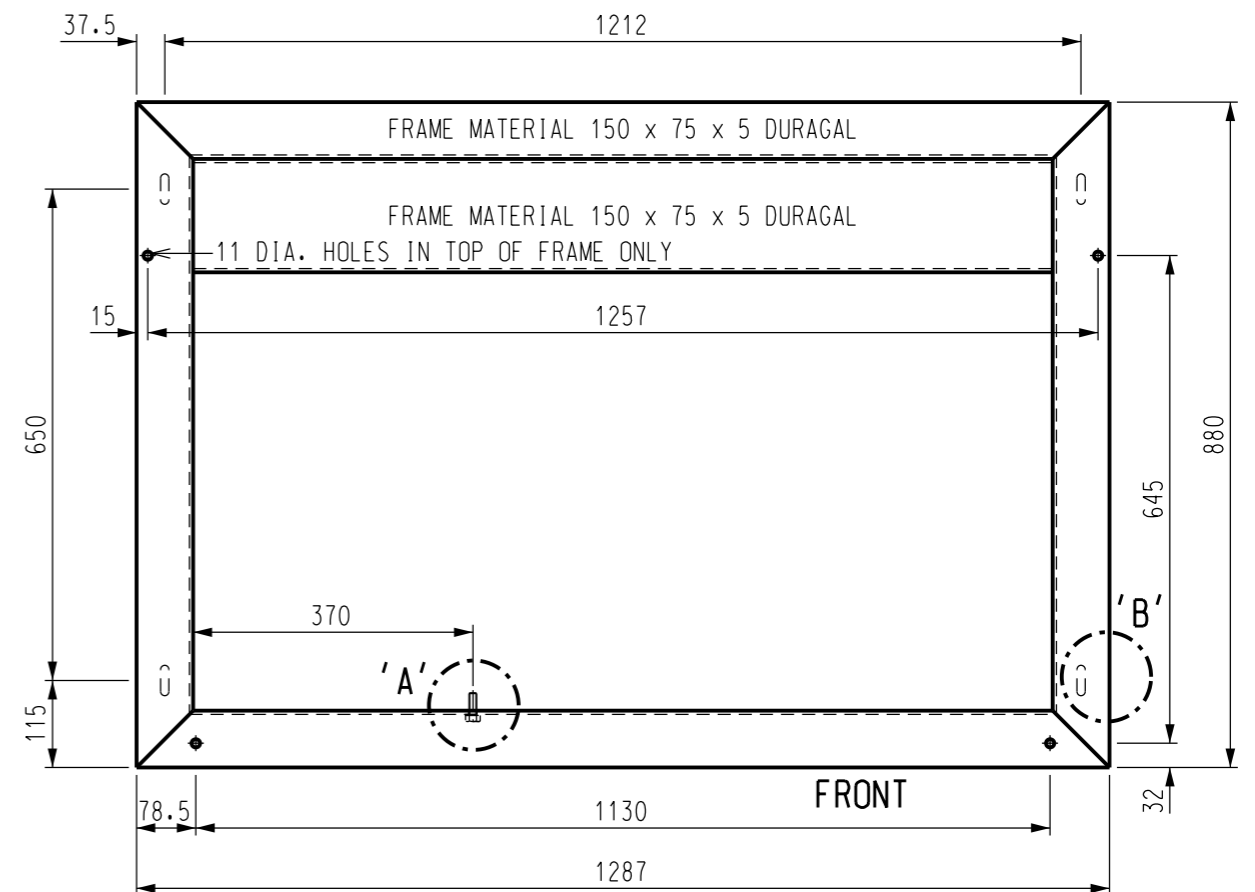


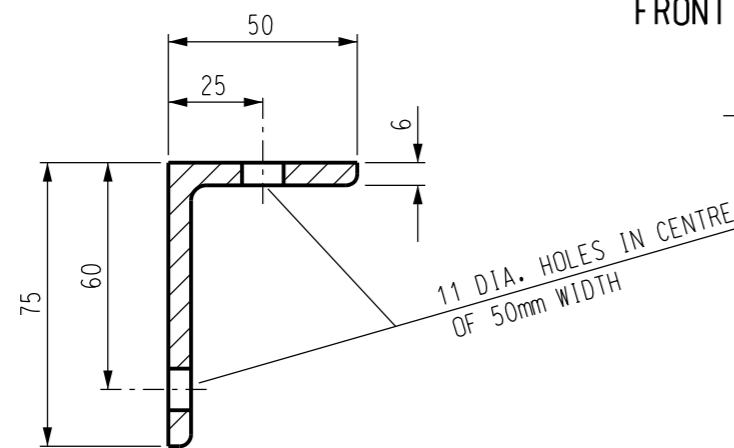
**PLAN - RM6 RMU 4 FUNCTION UNIT MOUNTING FRAME**

STOCK CODE:501099



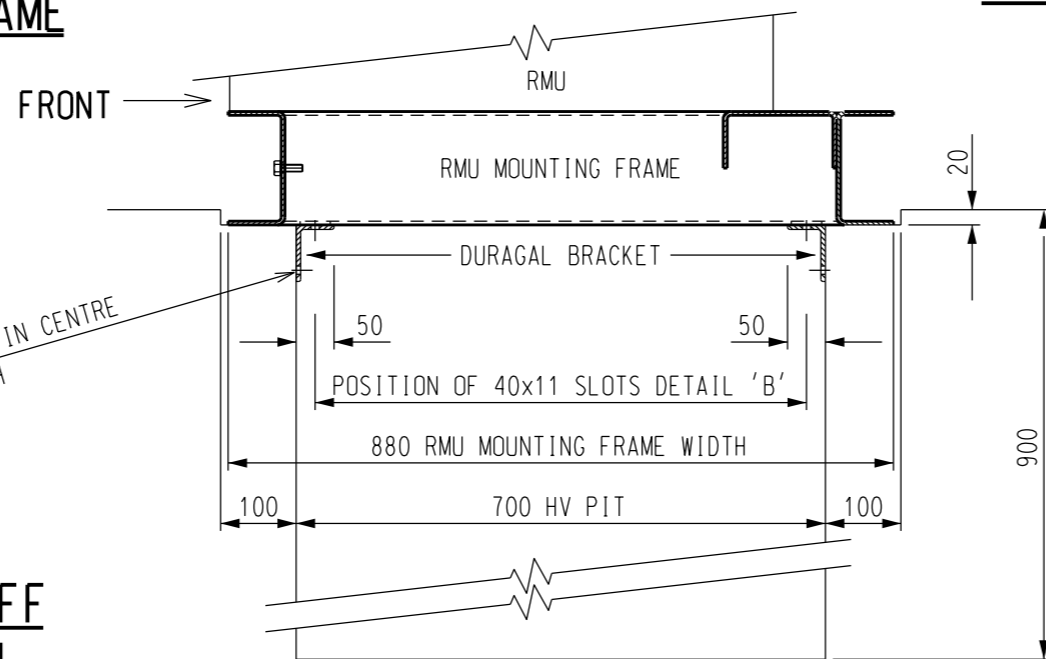
**PLAN - RM6 RMU 3 FUNCTION UNIT MOUNTING FRAME**

STOCK CODE:501100

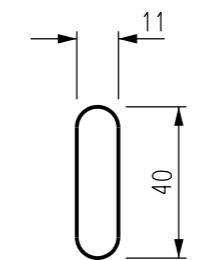


**DURAGAL BRACKET (50mm WIDE) 4 OFF FOR FIXING FRAME TO HV PIT WALL**

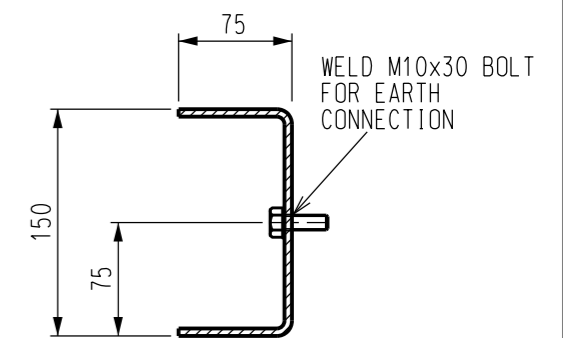
SCALE 1 : 2



**SECTION THROUGH HV PIT**



**DETAIL 'B'**  
SLOTS IN BOTTOM FLANGE ONLY  
(SCALE 1 : 5)



**DETAIL 'A'**  
EARTH STUD LOCATION  
(SCALE 1 : 5)

1	STOCK CODES ADDED	C.M.	JUN'14	B.C.	B.C.
NO	DESCRIPTION	DRN	DATE	CKD	APPD
AMENDMENTS					

**PowerWater**

DES D. MOFFAT POWER STANDARD DRAWING

DRN A. SCHMID  
CKD D. MOFFAT  
APPD T. TANG  
SCALE 1 : 10.  
ISSUED SEPT'06

**RM6 RING MAIN UNIT  
3 AND 4 FUNCTION  
MOUNTING FRAME**

ALL DIM. IN mm

**A3** DRAWING NUMBER **S02-2-7-57**

DRAFTING STANDARD TO A.S.1100

CAD PRODUCT - DO NOT AMEND MANUALLY

