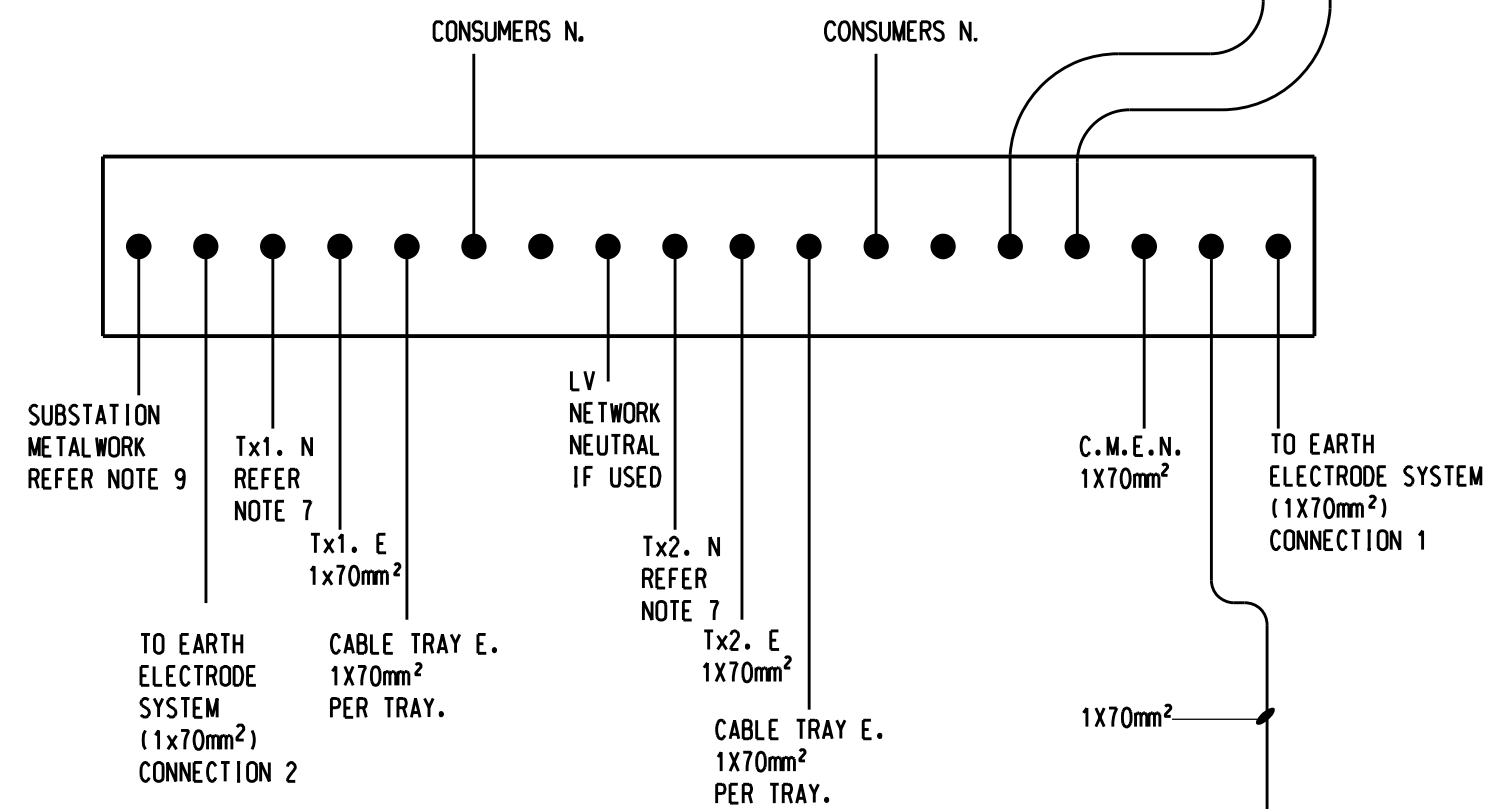
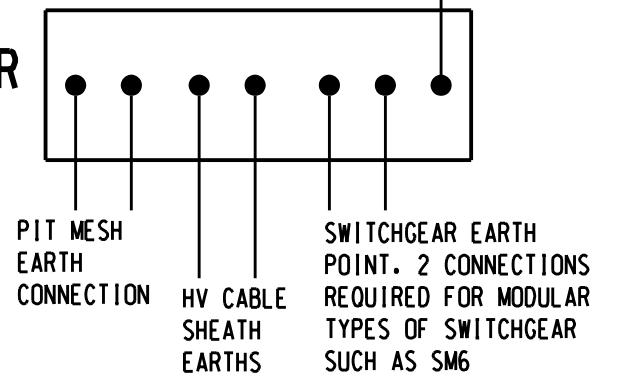


COMBINED NEUTRAL/ EARTH BAR.



N + E TO SUBSTATION
LIGHT AND POWER
SWITCHBOARD.

PIT EARTH BAR



TYPICAL EARTHING LAYOUT (FOR 2 TRANSFORMER SUBSTATION)

SCALE 1:50

NOTES

1. EACH INDIVIDUAL PIECE OF REINFORCING MESH SHALL BE INTERCONNECTED BY A MINIMUM OF ONE CRIMP CONNECTION OR CADWELD TO EARTH CABLE.

NO	DESCRIPTION	DRN	DATE	CKD	APPD
4	PIT EARTH ADDED	P.H.	APR'18	I.B.	B.C.
3	NOTE PIT EARTH ADDED	P.H.	OCT'17	I.B.	B.C.
2	CONNECTION DETAILS UPDATED	A.T.	JUN'14	B.C.	B.C.
1	ADD STREET CMEN	K.I.	SEP'06	-	S.C.
AMENDMENTS					



DES	I. PURVES	POWER STANDARD DRAWING	
DRN	G.R./A.D.	INDOOR SUBSTATION EARTHING LAYOUT SHEET 1 of 2	
CKD	S. LEACH		
APPD	F. ROBSON	A3	DRAWING NUMBER
SCALE	AS SHOWN		
ISSUED	MARCH'98	DRAFTING STANDARD TO A.S.1100	
ALL DIM.	IN mm		

