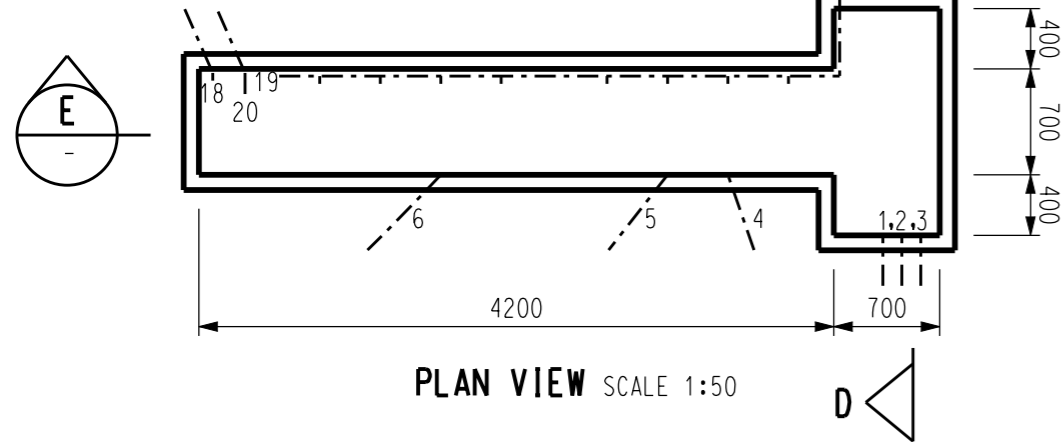
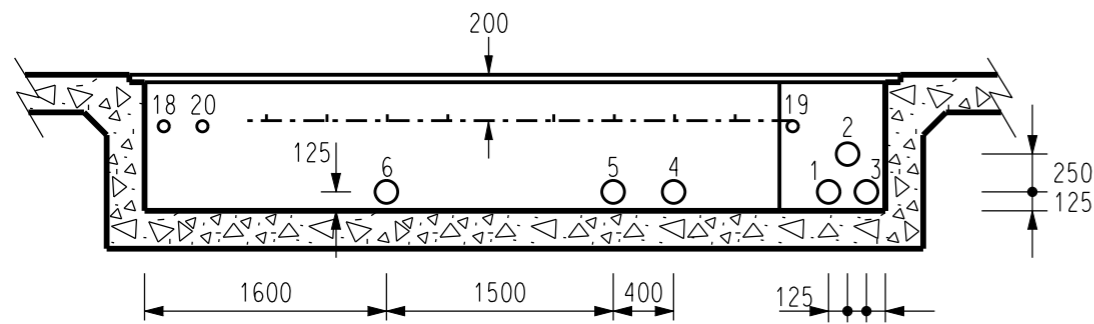


**SECTION C-C
(TYPICAL FOR PERSONNEL DOORS)**

NOT TO SCALE



PLAN VIEW SCALE 1:50

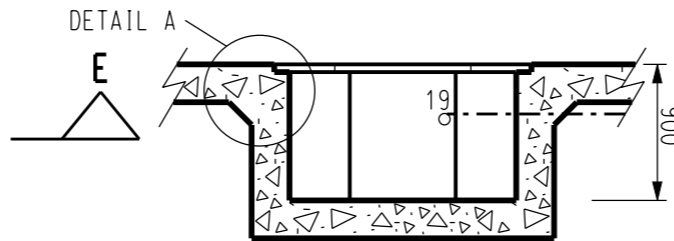


SECTION E-E SCALE 1:50

HV PIT DETAILS

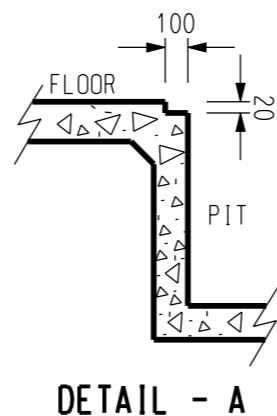
NOTES

1. ALL PERSONNEL DOORS ARE TO BE HUNG SO THAT THE CENTRELINE OF DOOR IS DIRECTLY OVER THE THRESHOLD.
2. ADDITIONAL STEPS (UP TO A MAXIMUM OF 3) INCLUDING AN APPROPRIATE HANDRAIL MAY BE PROVIDED AT ANY PERSONNEL DOORWAY. IF THE STEPS ARE TO BE LOCATED WITHIN THE SUBSTATION CHAMBERS, IT WILL BE NECESSARY TO EXTEND THE SUBSTATION CHAMBER TO ACCOMMODATE THE ENCROACHMENT OF THE STEPS, SUCH THAT THE INTERNAL DIMENSIONS OF THE SUBSTATION CHAMBER ARE NOT REDUCED.
3. ALL CONDUITS ENTERING THE CABLE PIT SHALL FINISH FLUSH WITH THE INTERNAL PIT WALL AND BE CAPPED WITH A BELL MOUTH FITTING.
4. ALL CONDUITS ENTERING INTO THE SUBSTATION SHALL BE SEALED WITH A PWC APPROVED SEALING METHOD, REFER TO S02-1-9-03.

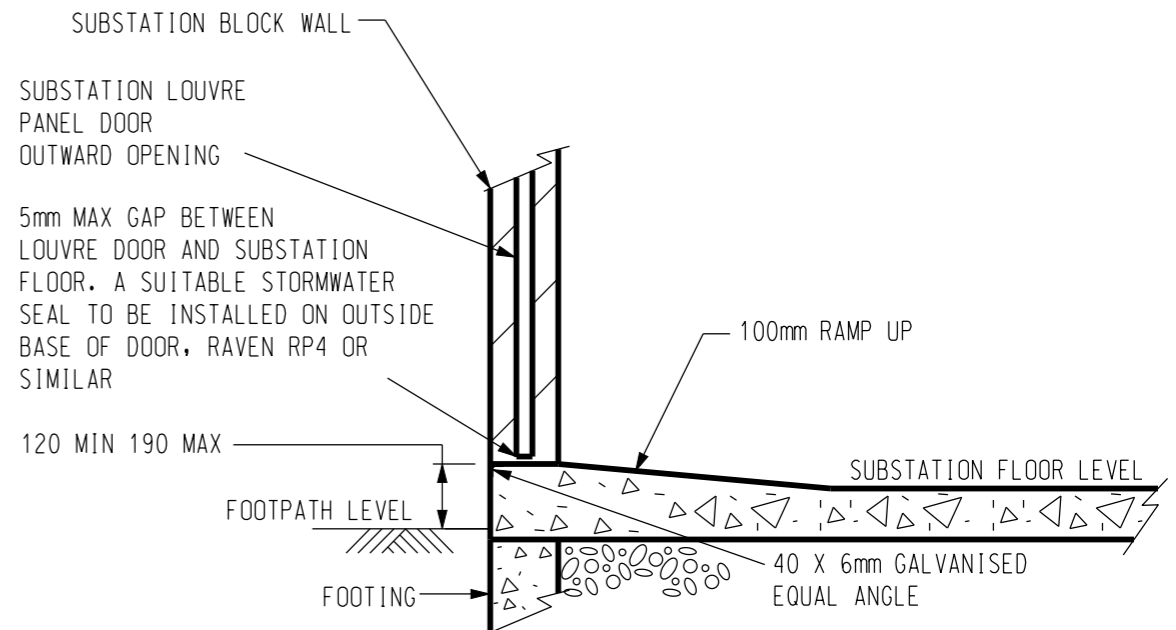


SECTION D-D SCALE 1:50

120 MIN 190 MAX
STEP UP AT
PERSONNEL DOORS
REFER NOTE 2

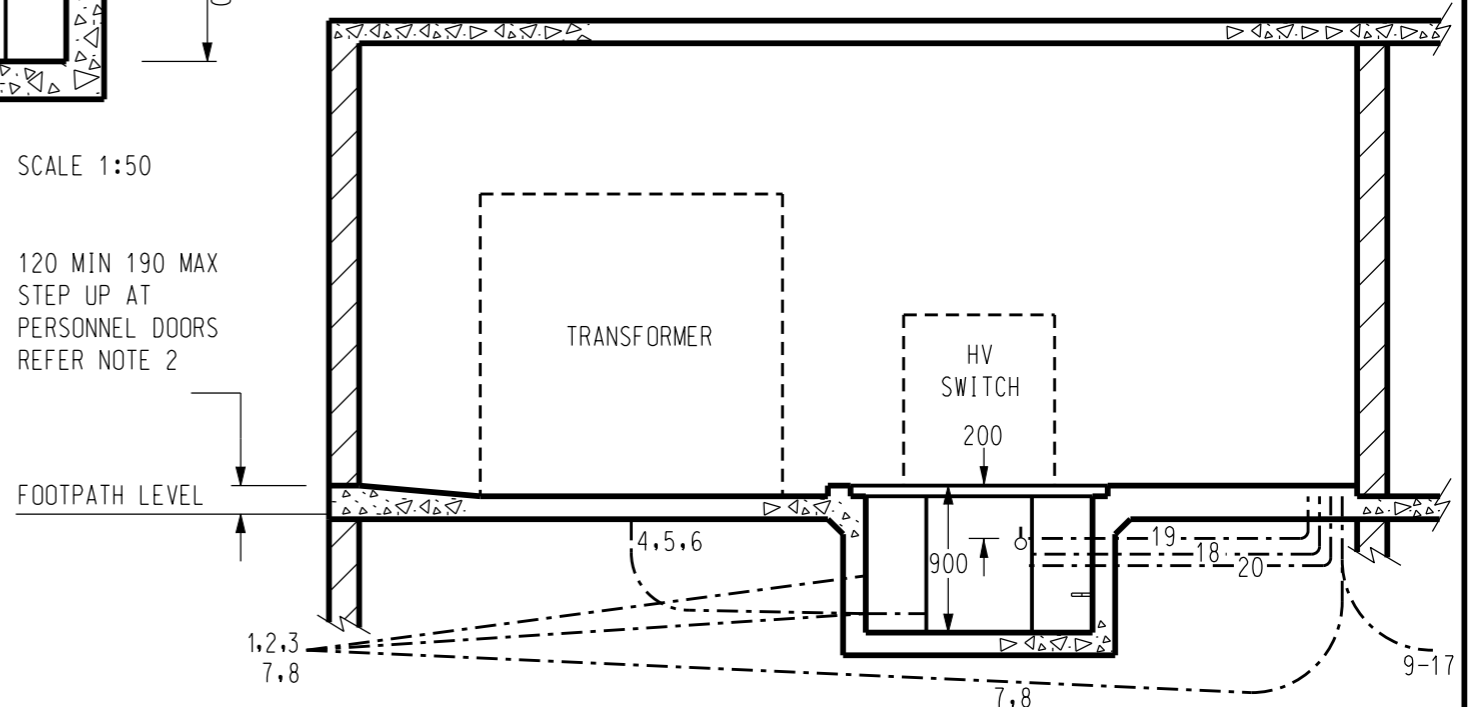


DETAIL - A



**SECTION F-F
(TYPICAL FOR TRANSFORMER LOUVRE DOORS)**

NOT TO SCALE



SECTION B-B

NOT TO SCALE

NO	DESCRIPTION	DRN	DATE	CKD	APPD
1	NOTES 3 AND 4 ADDED	A.T.	JAN'14	B.C.	B.C.
AMENDMENTS					



DES	I.PURVES	POWER STANDARD DRAWING	
DRN	G.R./A.D.	THREE TRANSFORMER INDOOR SUBSTATION SURFACE CHAMBER - OPTION 2 CONSTRUCTION DETAILS SHEET 3 OF 3	
CKD	S.LEACH		
APPD	F.ROBSON		
SCALE	AS SHOWN	A3	DRAWING NUMBER S02-2-7-41
ISSUED	MARCH '98		
ALL DIM.	IN mm	DRAFTING STANDARD TO A.S.1100	
CAD PRODUCT - DO NOT AMEND MANUALLY			

