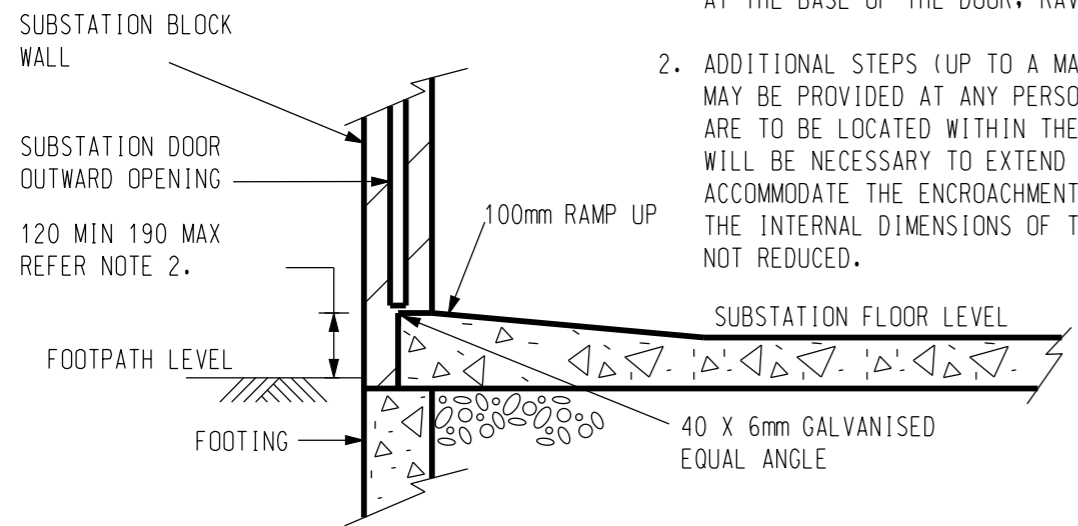


**SECTION F-F**  
**(TYPICAL FOR TRANSFORMER LOUVRE DOORS)**

NOT TO SCALE

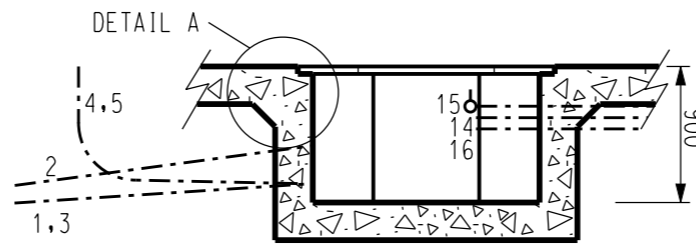
**NOTES**

1. ALL PERSONNEL DOORS ARE TO BE HUNG SO THAT THE CENTRELINE OF DOOR IS DIRECTLY OVER THE THRESHOLD, WITH A SUITABLE STORMWATER DOOR SEAL TO BE INSTALLED AT THE BASE OF THE DOOR, RAVEN RP4 OR SIMILAR.
2. ADDITIONAL STEPS (UP TO A MAXIMUM OF 3) AND HANDRAIL MAY BE PROVIDED AT ANY PERSONNEL DOORWAY. IF THE STEPS ARE TO BE LOCATED WITHIN THE SUBSTATION CHAMBERS, IT WILL BE NECESSARY TO EXTEND THE SUBSTATION CHAMBER TO ACCOMMODATE THE ENCROACHMENT OF THE STEPS, SUCH THAT THE INTERNAL DIMENSIONS OF THE SUBSTATION CHAMBER ARE NOT REDUCED.

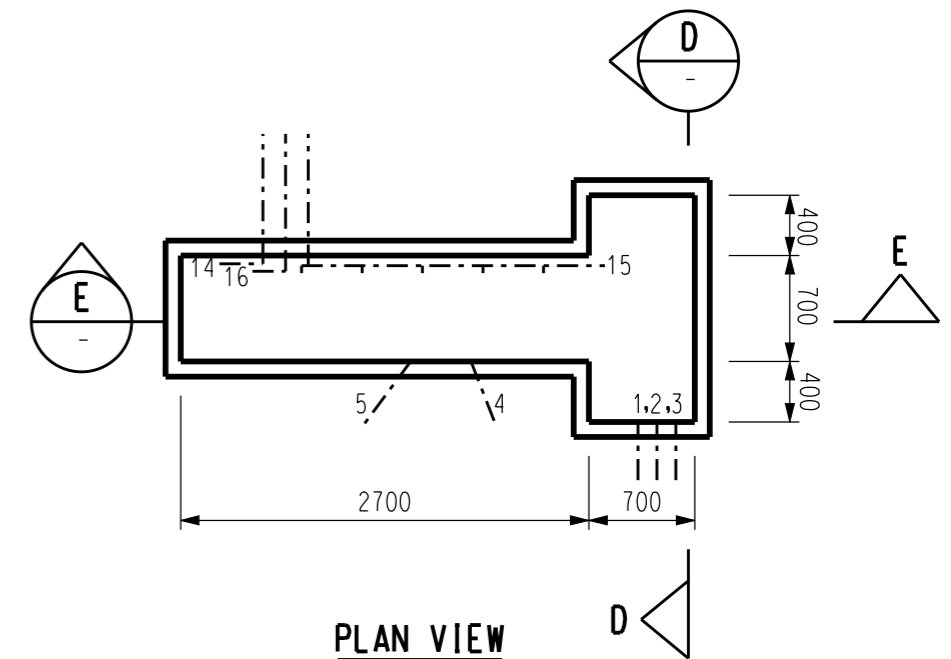


**SECTION C-C**  
**(TYPICAL FOR PERSONNEL DOORS)**

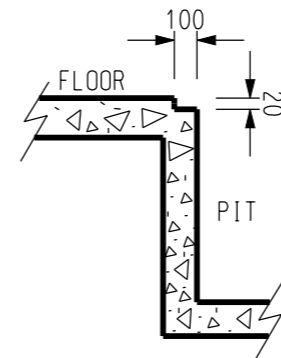
NOT TO SCALE



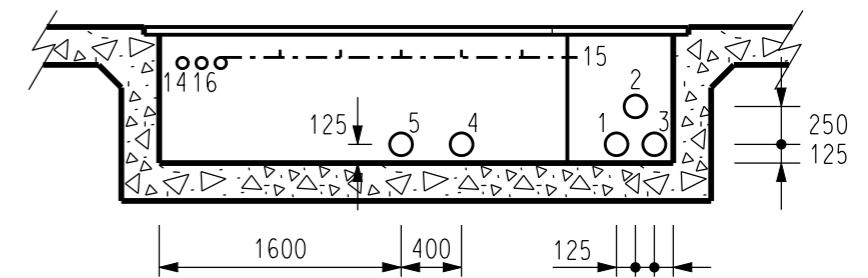
**SECTION D-D**  
SCALE 1:50



**PLAN VIEW**  
SCALE 1:50



**DETAIL - A**  
NOT TO SCALE



**SECTION E-E**  
SCALE 1:50

**HV PIT DETAILS**

NO	DESCRIPTION	DRN	DATE	CKD	APPD
1	NOTE 2 AMENDED	C.C.	NOV'13	A.T.	B.C.
<b>AMENDMENTS</b>					



DES	I.PURVES	POWER STANDARD DRAWING		
DRN	G.R./A.D.	INDOOR SUBSTATION		
CKD	S.LEACH	TWO TRANSFORMER ARRANGEMENT		
APPD	F.ROBSON	SURFACE CHAMBER - OPTION 3		
SCALE	AS SHOWN	CONSTRUCTION DETAILS SHEET 3 OF 3		
ISSUED	MARCH '98	<b>A3</b>	DRAWING NUMBER	<b>S02-2-7-33</b>
ALL DIM.	IN mm			
DRAFTING STANDARD TO A.S.1100		CAD PRODUCT - DO NOT AMEND MANUALLY		AMDT