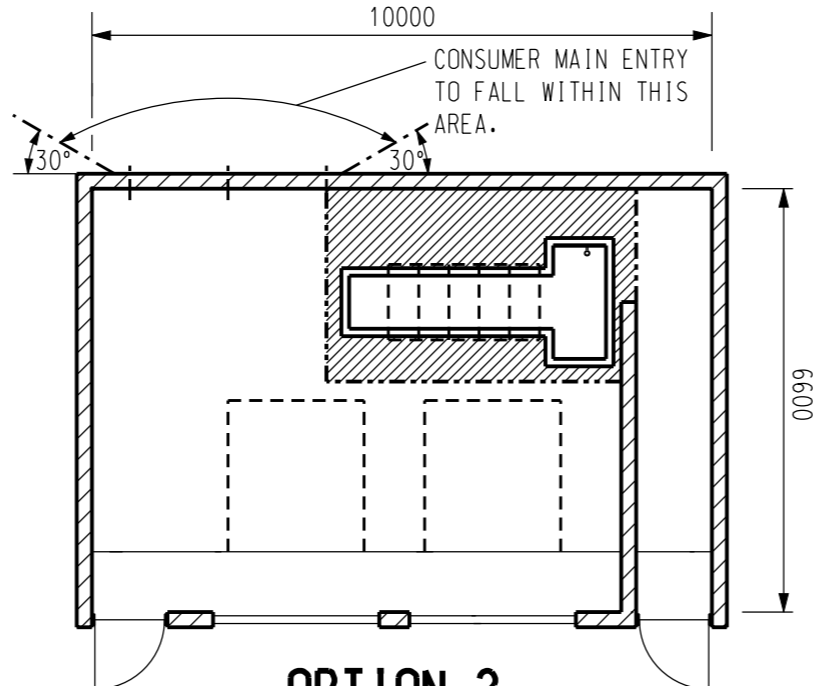
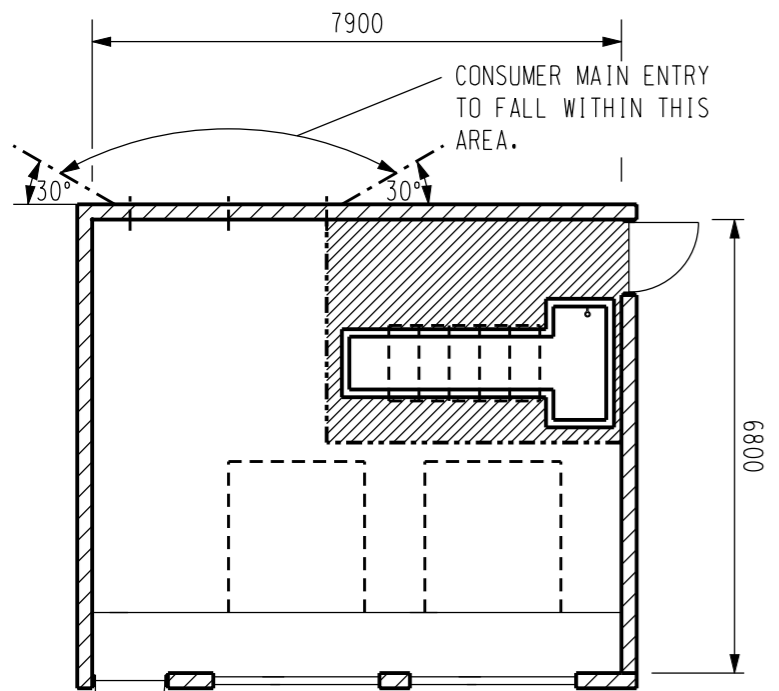


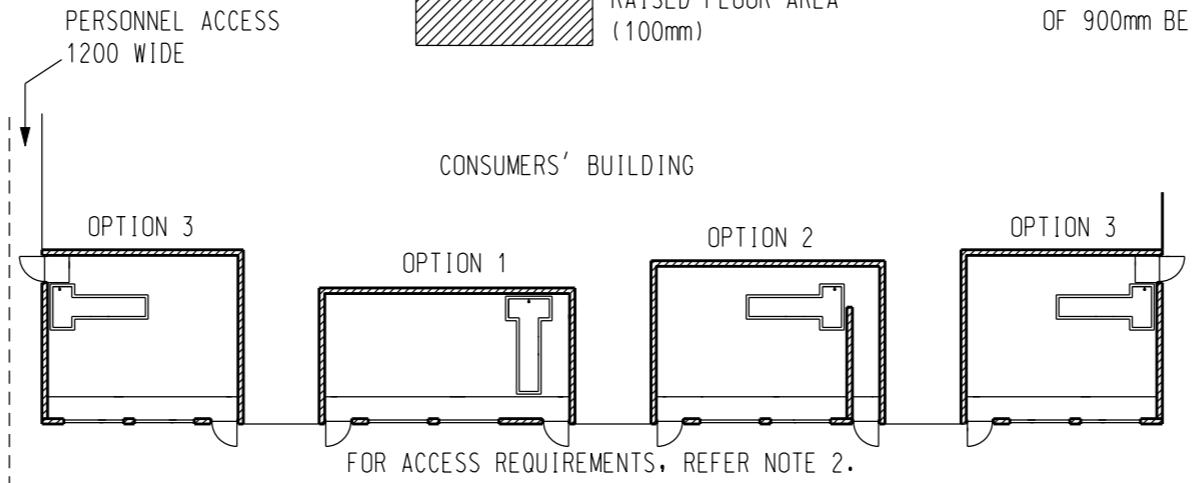
OPTION 1



OPTION 2



OPTION 3



KEY DIAGRAM - PLAN VIEW

LEGEND

----- RAISED FLOOR LINE

RAISED FLOOR AREA (100mm)

NOTES

- PURPOSE OF OPTION PLAN**
THIS DRAWING ILLUSTRATES THE RANGE OF OPTIONS AVAILABLE FOR THIS TYPE OF SUBSTATION. ALL SUBSTATION PLANS CAN BE MIRROR-IMAGED TO SUIT THE CONSUMERS' BUILDING LAYOUT. REFERENCE SHOULD BE MADE TO THE DRAWINGS LISTED BELOW FOR CONSTRUCTION DETAILS AND TO THE PUBLICATION "ELECTRICITY SUPPLY TO LARGE CUSTOMERS" FOR ADDITIONAL INFORMATION.
- ACCESS**
UNLESS THE CHAMBER FRONTS ONTO THE STREET, AN ACCESS ROAD FOR HEAVY VEHICLES IS REQUIRED FROM THE STREET TO THE FRONT OF THE SUBSTATION CHAMBER. REFER TO THE PUBLICATION "ELECTRICITY SUPPLY TO LARGE CUSTOMERS" FOR ACCESS REQUIREMENTS. ACCESS TO THE SUBSTATION CHAMBER SHALL NOT BE VIA A SECURE PART OF THE CONSUMERS PROPERTY.
- SITE**
THE GROUND BENEATH THE SUBSTATION MAY BE REQUIRED TO ACCOMMODATE DEEP EARTHING ELECTRODES. IT MUST BE FREE OF ALL OBSTRUCTIONS, INCLUDING SEWERS, PIPES AND UNDERGROUND CONSTRUCTION.
- STEPS**
UP TO 3 STEPS INCLUDING AN APPROPRIATE HANDRAIL MAY BE PROVIDED AT ANY PERSONNEL DOOR. IF STEPS ARE TO BE LOCATED WITHIN THE SUBSTATION CHAMBER, IT WILL BE NECESSARY TO EXTEND THE SUBSTATION CHAMBER TO ACCOMMODATE THE ENCROACHMENT OF THE STEPS SUCH THAT THE INTERNAL DIMENSIONS OF THE SUBSTATION CHAMBER ARE NOT REDUCED.
- SUBSTATION HEADROOM** - 3000mm MINIMUM.
- DEPTH OF HV PIT** - 900mm.
- INTERNAL DIMENSIONS**
SUBSTATION INTERNAL DIMENSIONS WILL VARY DEPENDING ON THE LOCATION IN WHICH EQUIPMENT IS INSTALLED. THOUGHT OUT THE SUBSTATION CHAMBER A MINIMUM OF 1000mm CLEAR OPENING SHALL BE PROVIDED FROM ANY STRUCTURE TO EQUIPMENT AND A MINIMUM OF 900mm BETWEEN EQUIPMENT.

INTERNAL FITOUT DETAILS	S02-2-7-52
	S02-2-7-53
INDOOR SUBSTATION SURFACE CHAMBERS CONSTRUCTION NOTES	S02-2-7-00
TWO TRANSFORMER INDOOR SUBSTATION SURFACE CHAMBER - OPTION 3	S02-2-7-33
CONSTRUCTION DETAILS	S02-2-7-32
	S02-2-7-31
TWO TRANSFORMER INDOOR SUBSTATION SURFACE CHAMBER - OPTION 2	S02-2-7-30
CONSTRUCTION DETAILS	S02-2-7-29
	S02-2-7-28
TWO TRANSFORMER INDOOR SUBSTATION SURFACE CHAMBER - OPTION 1	S02-2-7-27
CONSTRUCTION DETAILS	S02-2-7-26
	S02-2-7-25
REFERENCE DRAWING	DRWG. No.

1	NOTE 7 ADDED, DIMENSIONS AMENDED DRAWINGS S02-2-7-22 AND S02-2-7-23 REPLACED WITH S02-2-7-00	A.T.	JAN'14	B.C.	B.C.
NO	DESCRIPTION	DRN	DATE	CKD	APPD
AMENDMENTS					



DES	I.PURVES	POWER STANDARD DRAWING		
DRN	G.R./A.D.	INDOOR SUBSTATION TWO TRANSFORMER ARRANGEMENT SURFACE CHAMBER LAYOUT OPTIONS PLAN		
CKD	S.LEACH			
APPD	F.ROBSON			
SCALE	AS SHOWN			
ISSUED	MARCH '98	A3	DRAWING NUMBER	S02-2-7-24
ALL DIM.	IN mm			
DRAFTING STANDARD TO A.S.1100		CAD PRODUCT - DO NOT AMEND MANUALLY		