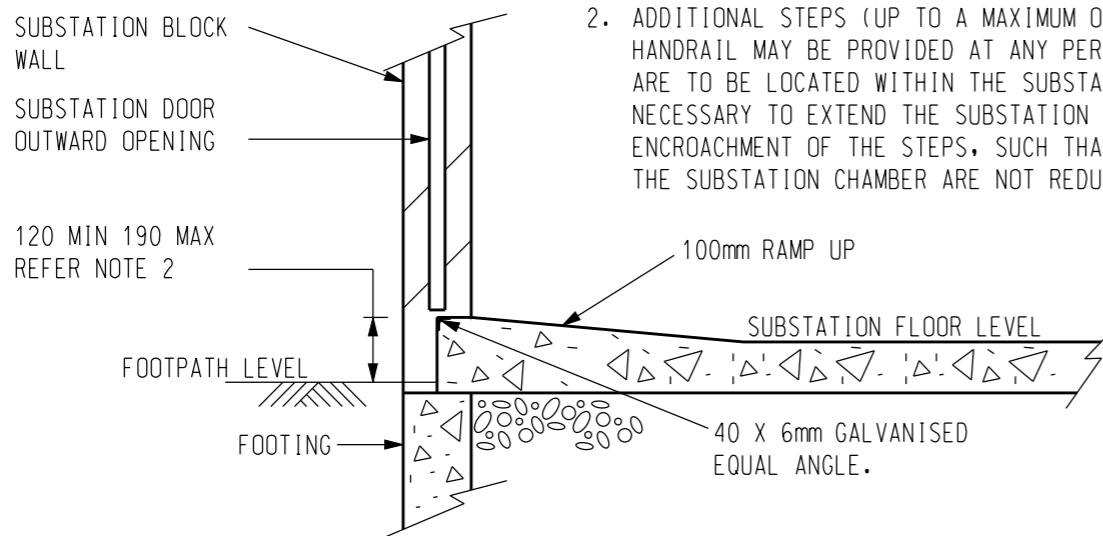


SECTION E-E (TYPICAL FOR TRANSFORMER LOUVRE DOORS)

NOT TO SCALE

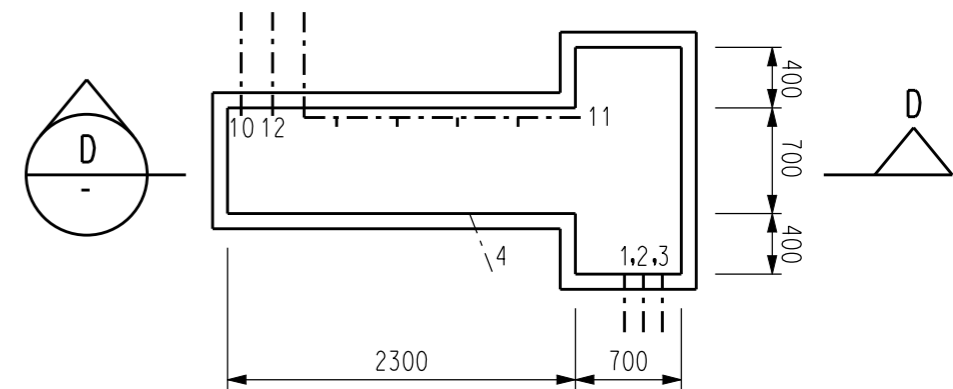
NOTES

1. ALL PERSONNEL DOORS ARE TO BE HUNG SO THAT THE CENTRELINE OF DOOR IS DIRECTLY OVER THE THRESHOLD.
2. ADDITIONAL STEPS (UP TO A MAXIMUM OF 3) INCLUDING AN APPROPRIATE HANDRAIL MAY BE PROVIDED AT ANY PERSONNEL DOORWAY. IF THE STEPS ARE TO BE LOCATED WITHIN THE SUBSTATION CHAMBERS, IT WILL BE NECESSARY TO EXTEND THE SUBSTATION CHAMBER TO ACCOMMODATE THE ENCROACHMENT OF THE STEPS, SUCH THAT THE INTERNAL DIMENSIONS OF THE SUBSTATION CHAMBER ARE NOT REDUCED.



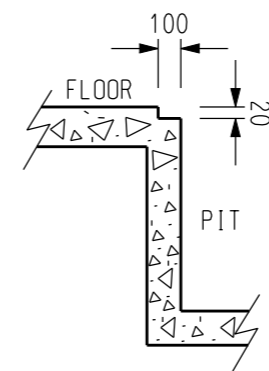
SECTION C-C (TYPICAL FOR PERSONNEL DOORS)

NOT TO SCALE



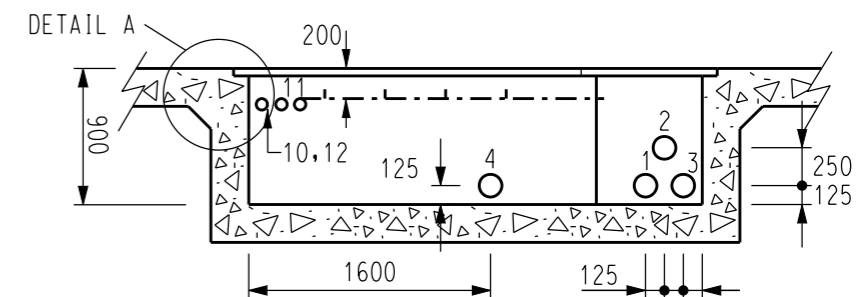
PLAN VIEW

SCALE 1:50



DETAIL - A

NOT TO SCALE



SECTION D-D

SCALE 1:50

HV PIT DETAILS

NO	DESCRIPTION	DRN	DATE	CKD	APPD
1	NOTE 2 AMENDED	C.C.	NOV'13	A.T.	B.C.
AMENDMENTS					



DES	I.PURVES	POWER STANDARD DRAWING		
DRN	G.R./A.D.	INDOOR SUBSTATION		
CKD	S.LEACH	ONE TRANSFORMER ARRANGEMENT		
APPD	F.ROBSON	SURFACE CHAMBER - OPTION 3		
SCALE	AS SHOWN	CONSTRUCTION DETAILS SHEET 3 OF 3		
ISSUED	MARCH '98	A3	DRAWING NUMBER	S02-2-7-21
ALL DIM. IN mm				
DRAFTING STANDARD TO A.S.1100		CAD PRODUCT - DO NOT AMEND MANUALLY		AMDT