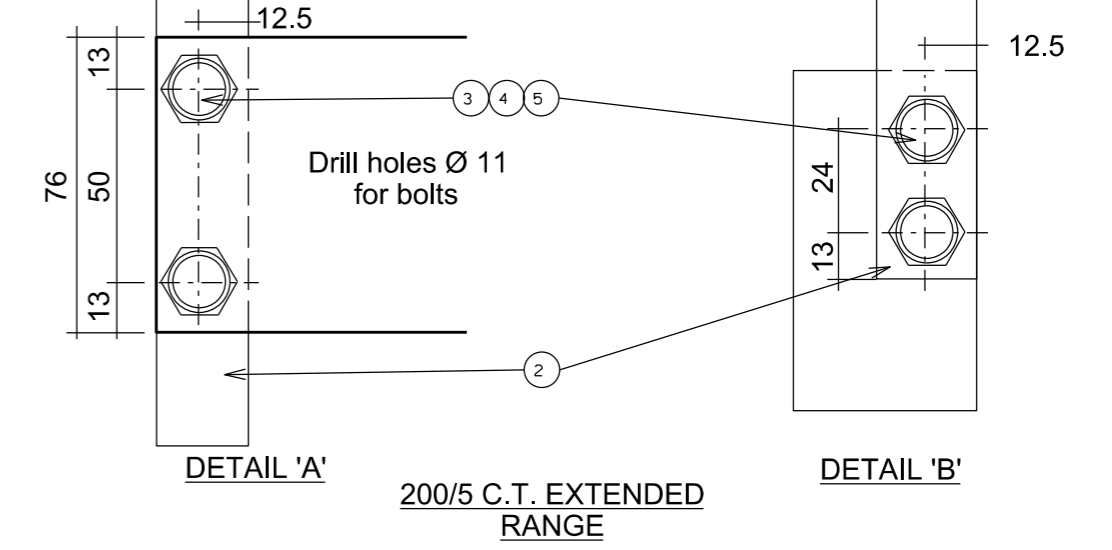
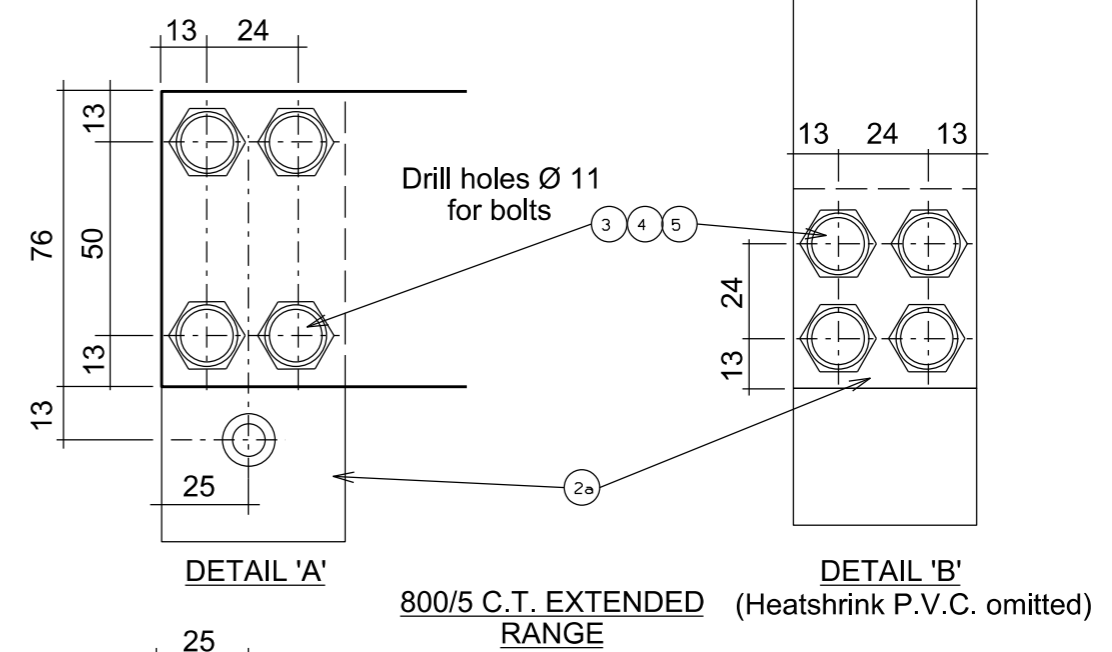


**NOTES**

1. Area shown a painted section designates....  
 a) Top of bushing  
 b) Substation end of bushing.
2. All holes drilled in busbars to be cleared of all burrs and sharp edges and busbar contact surfaces are to be tinned.
3. Wall bushings are to be grouted into the substation rear wall by the builder in the location shown on Dwg No. S02-2-6-13. The busbar phase sequence is to be Neutral (black), Red, White & Blue from left to right viewed from inside the substation and facing the bushing.
4. Refer to Dwg No. S02-1-7-06 for wall bushing details.



TAG No.	QTY	DESCRIPTION	DWG No.	STOCK CODE
6	2400	Tubing heatshrink 38-WCS-1500-40s		
5	32	Washer - flat round brass 10		
4	32	Washer - steel - spring -10		114314
3	32	Bolt - steel - cad. plated -Ø10 x25 C/W nut		11405
2a	As Req	Busbar - copper 50 x 6.35		3079
2	As Req	Busbar - copper - rectangular -25 x4		3020
1	1	Wall bushing LV indoor substation		114777

1	REDRAWN ON CAD	C.W.M.	APR15	A.T.	B.C.
NO	DESCRIPTION	DRN	DATE	CKD	APPD
AMENDMENTS					

DES	J.HASSANEN
DRN	R.P.P./C.W.M.
CKD	G.McSHANAG
APPD	I.CUK
SCALE	...
ISSUED	5.2.86
ALL DIM. IN mm	
DRAFTING STANDARD TO A.S.1100	

**N.T. STANDARD DRAWING  
INDOOR SUBSTATION  
WALL AND BUSBAR  
INSTALLATION DETAILS**

**A3** DRAWING NUMBER **S02-2-7-06**

CAD PRODUCT - DO NOT AMEND MANUALLY

AMDT