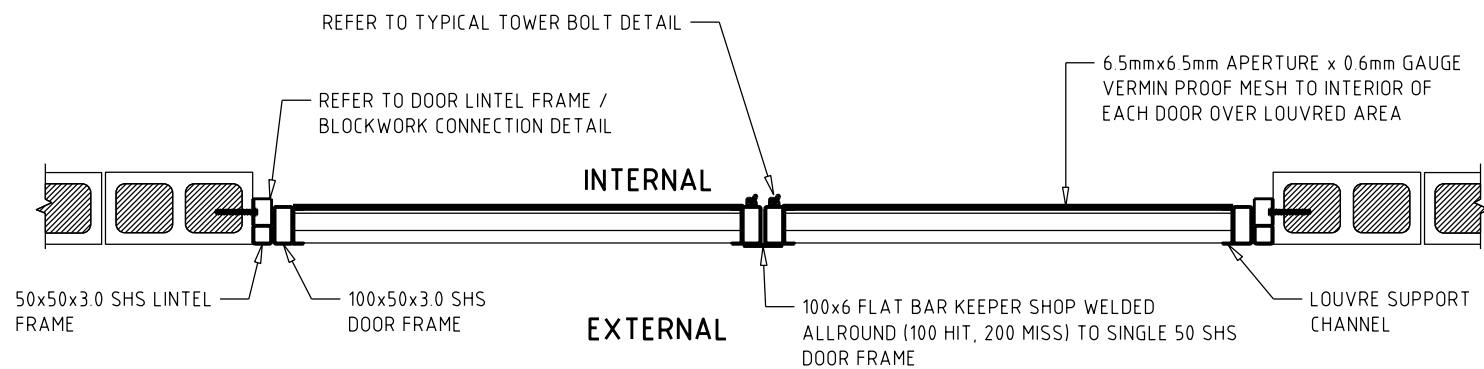
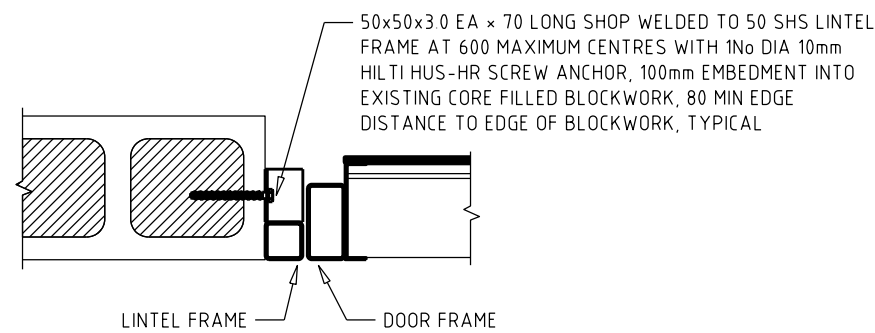


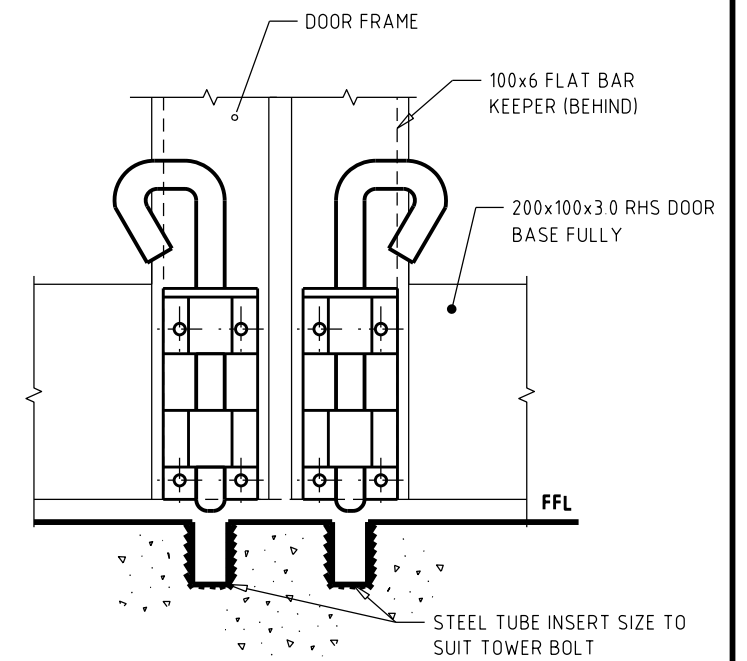
**SECTION A**  
SCALE 1:20  
S02-2-7-03



**SECTION B**  
SCALE 1:20  
S02-2-7-03

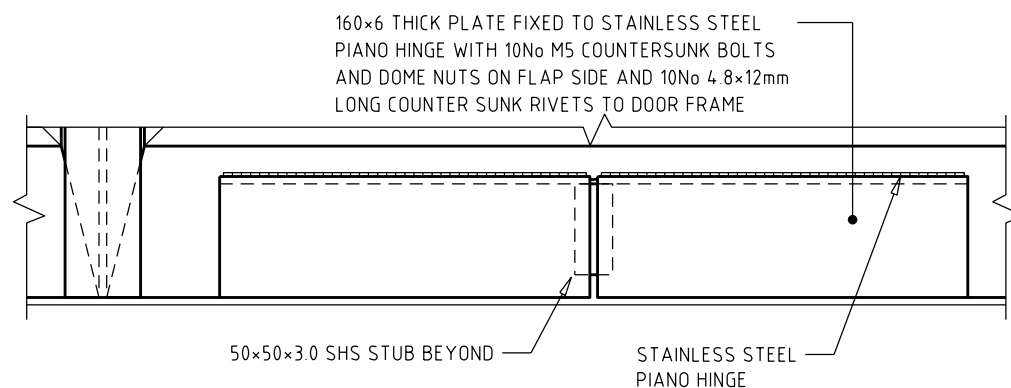


**DOOR LINTEL DOOR FRAME / BLOCKWORK CONNECTION DETAIL**  
1:10

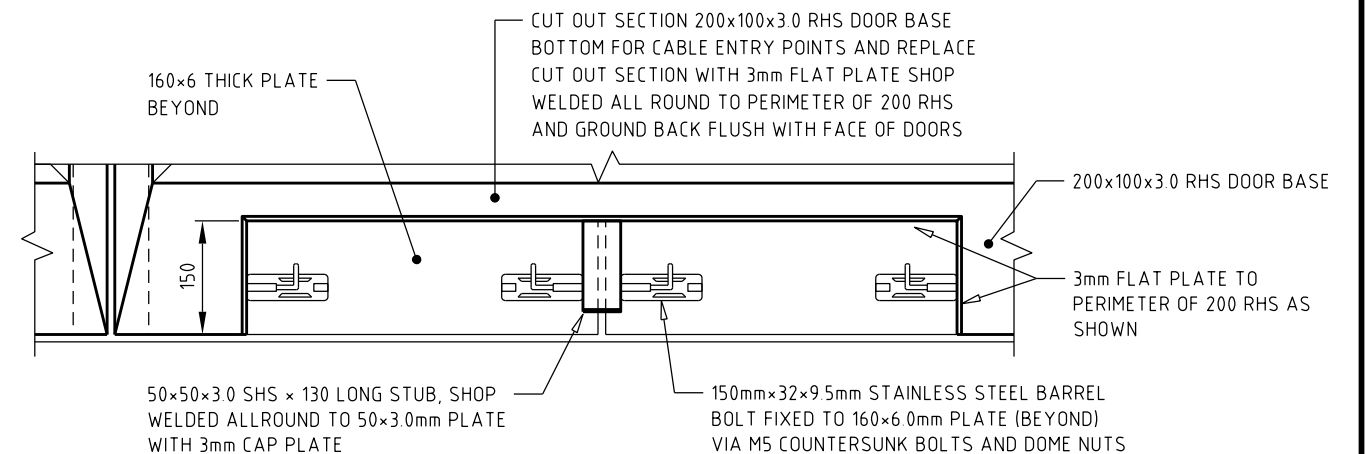


(NOTE: TOP TOWER BOLT HANDLE TO BE LOCATED 2100mm ABOVE FFL.)

**TYPICAL TOWER BOLT DETAIL**  
N.T.S



EXTERNAL ELEVATION



INTERNAL ELEVATION

TOWER BOLTS OMITTED FOR CLARITY

**GENERAL NOTES**

- REFER TO DRAWING S02-2-7-02 FOR DRAWING STANDARD NOTES

**TYPICAL CABLE ENTRY POINT DETAIL**  
1:10

NO	DESCRIPTION	DRN	DATE	CKD	APPD
6	REVISED DRAWING	P.H.	OCT'18	B.C.	B.C.
5	LOUVRE SPEC AMENDED	A.S.	NOV'06	B.C.	S.C.
<b>AMENDMENTS</b>					



DES	R. HAIGH	POWER STANDARD DRAWING	
DRN	TOLS	INDOOR SUBSTATION LOUVRED DOOR ELEVATION, DETAILS AND NOTES	
CKD	N. STUBBS		
APPD	N. STUBBS		
SCALE	N.T.S.	A3	DRAWING NUMBER S02-2-7-03
ISSUED	MAY'97		
ALL DIM.	IN mm	DRAFTING STANDARD TO A.S.1100	
CAD PRODUCT - DO NOT AMEND MANUALLY		AMDT	