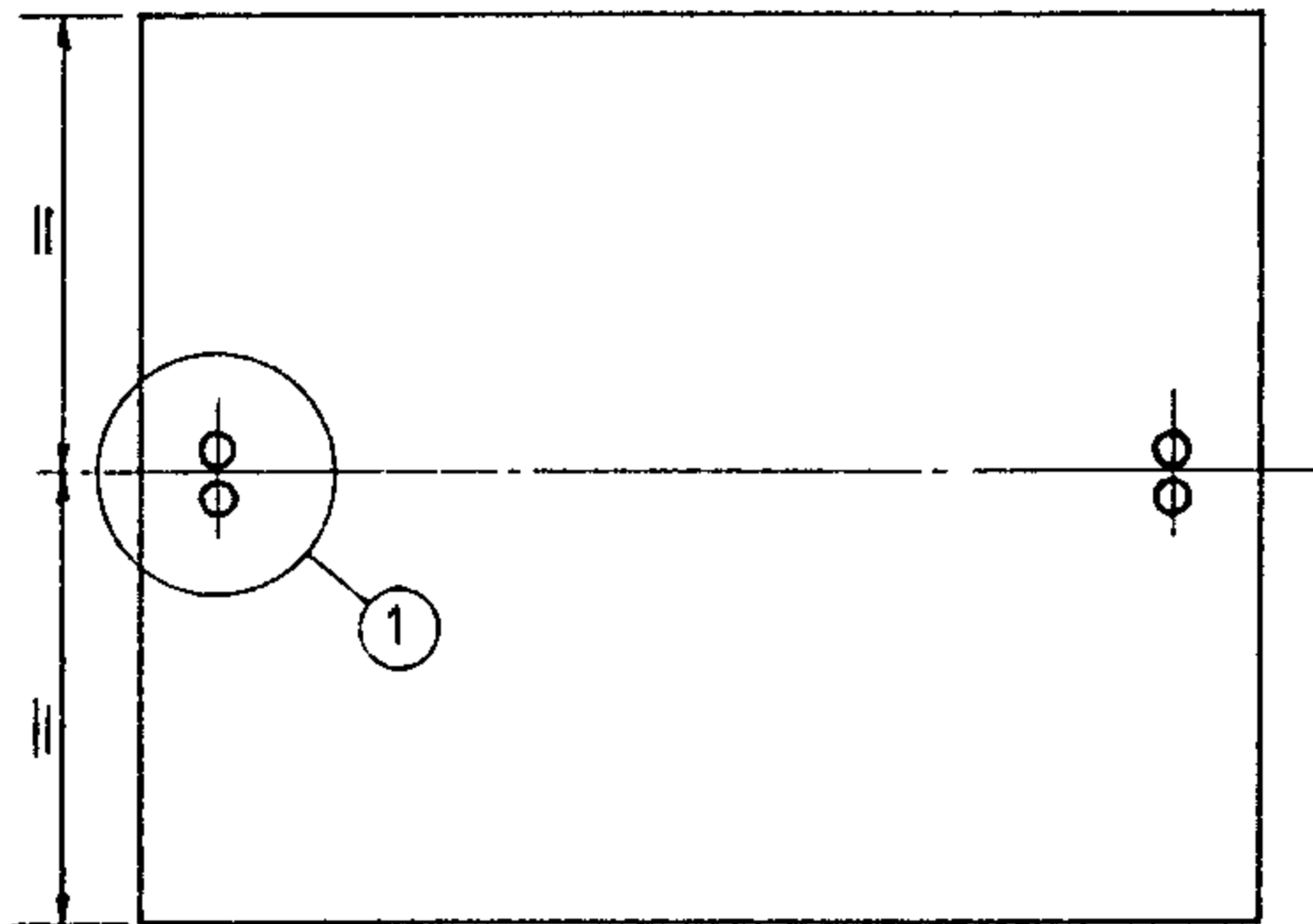
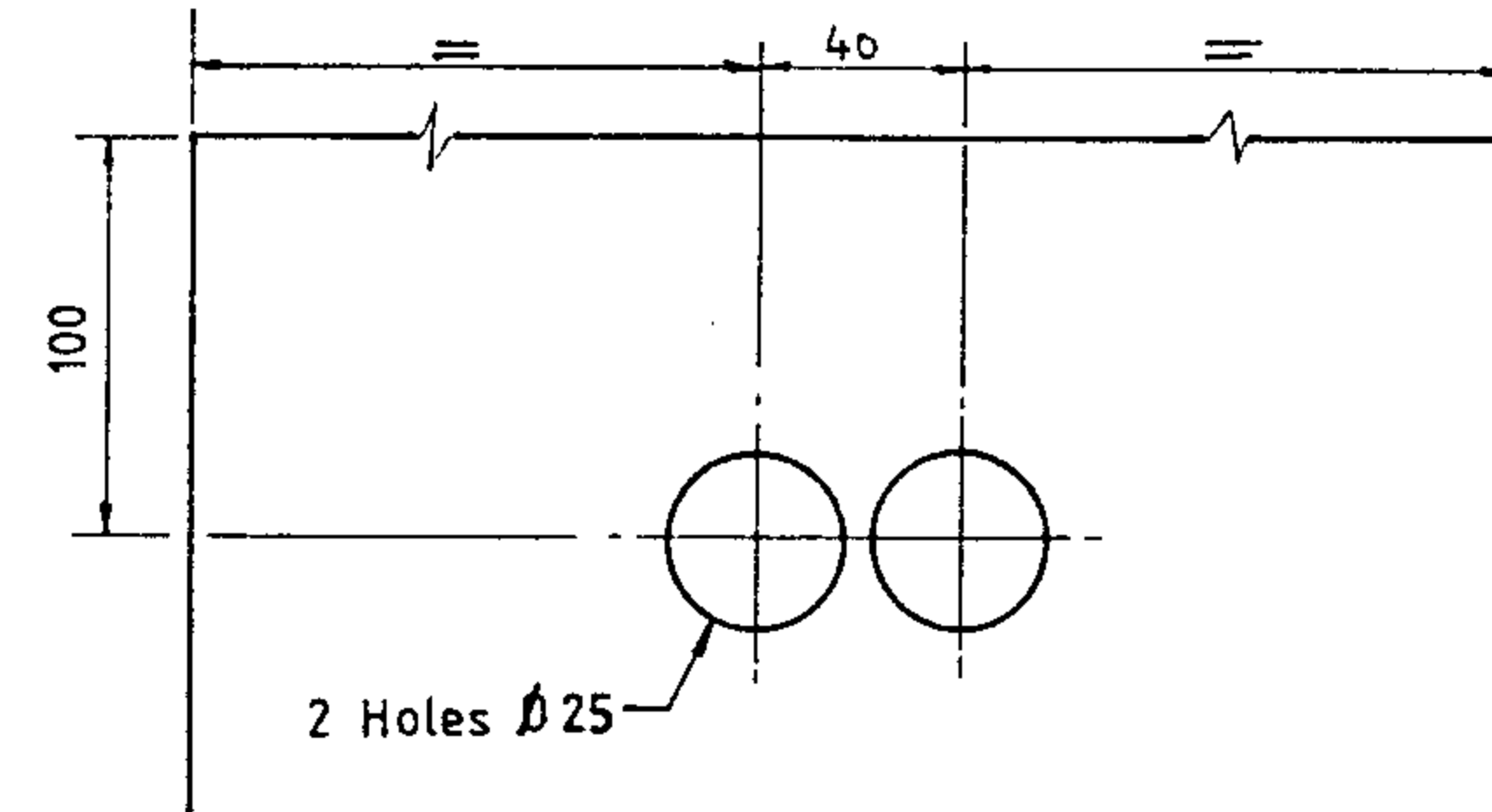


3RD ANGLE — DO NOT SCALE — REPORT ANY ERRORS, OMISSIONS TO DRAFTING OFFICE

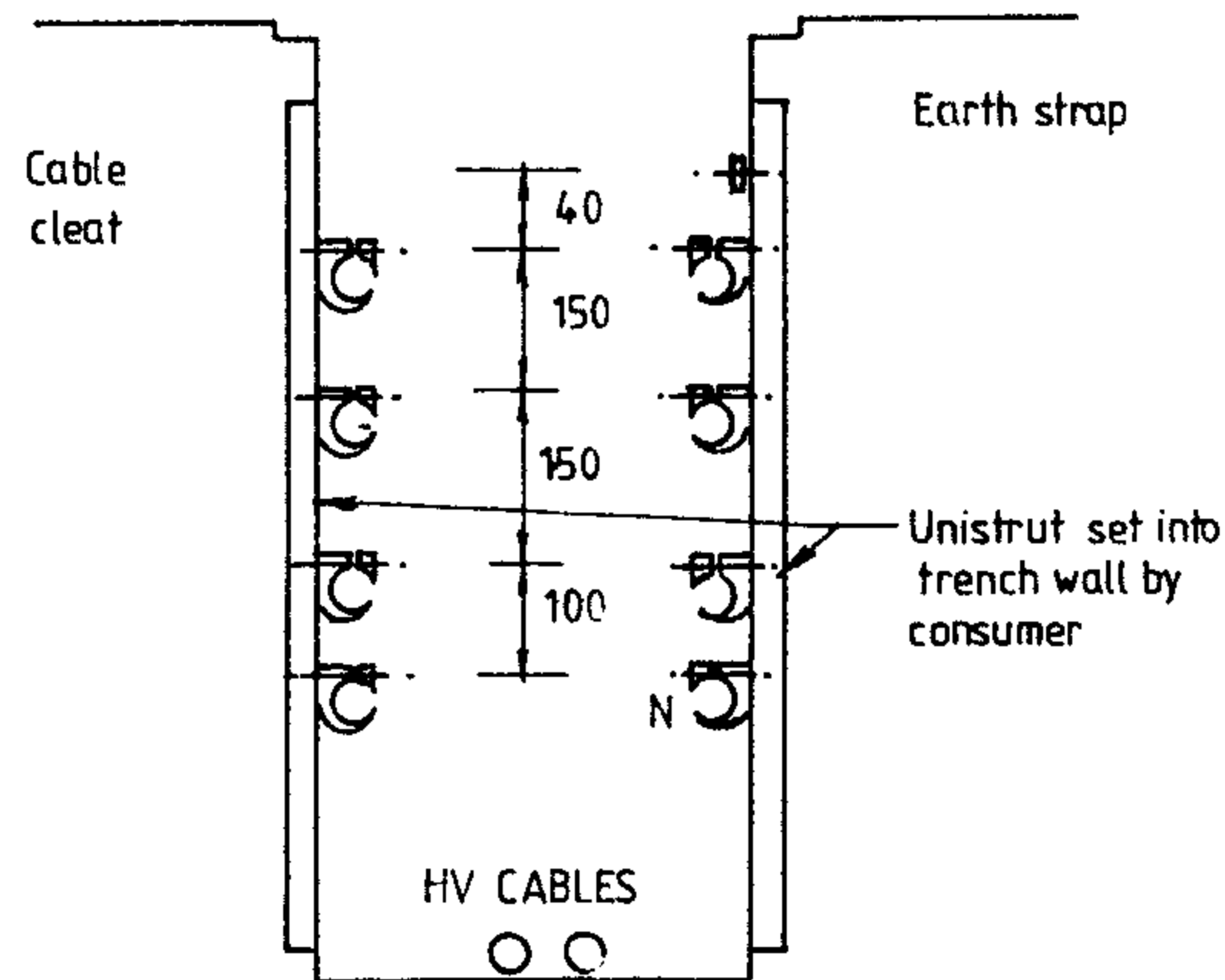


ITEM A

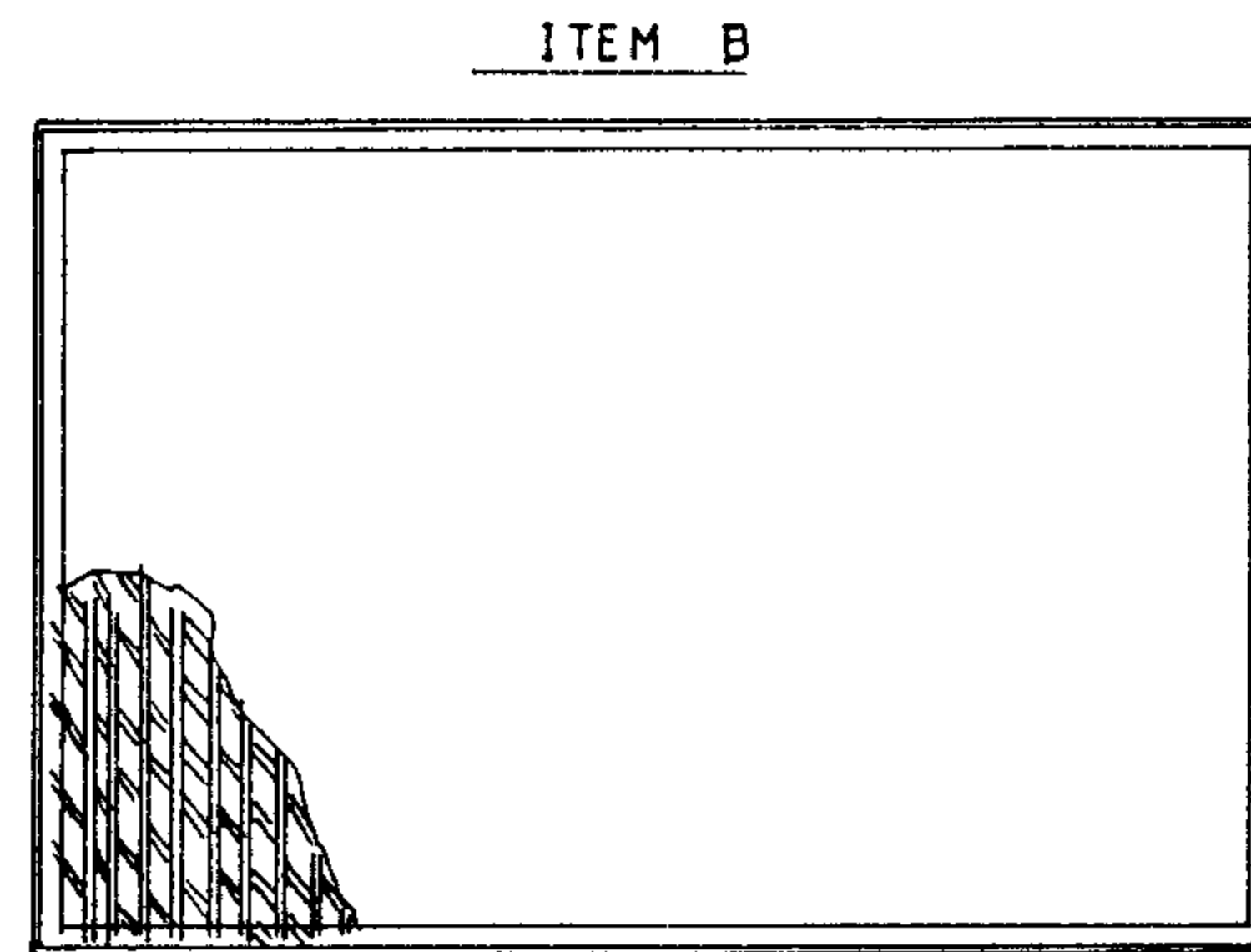
ITEM A
 Material Duct covers 19mm Marine plywood supplied and installed by P.A.W.A.
 Finish Two coats of polyurethane gloss varnish to all surfaces.
 ALL DIMENSIONS TO BE DETERMINED BY ON SITE CHECKS.



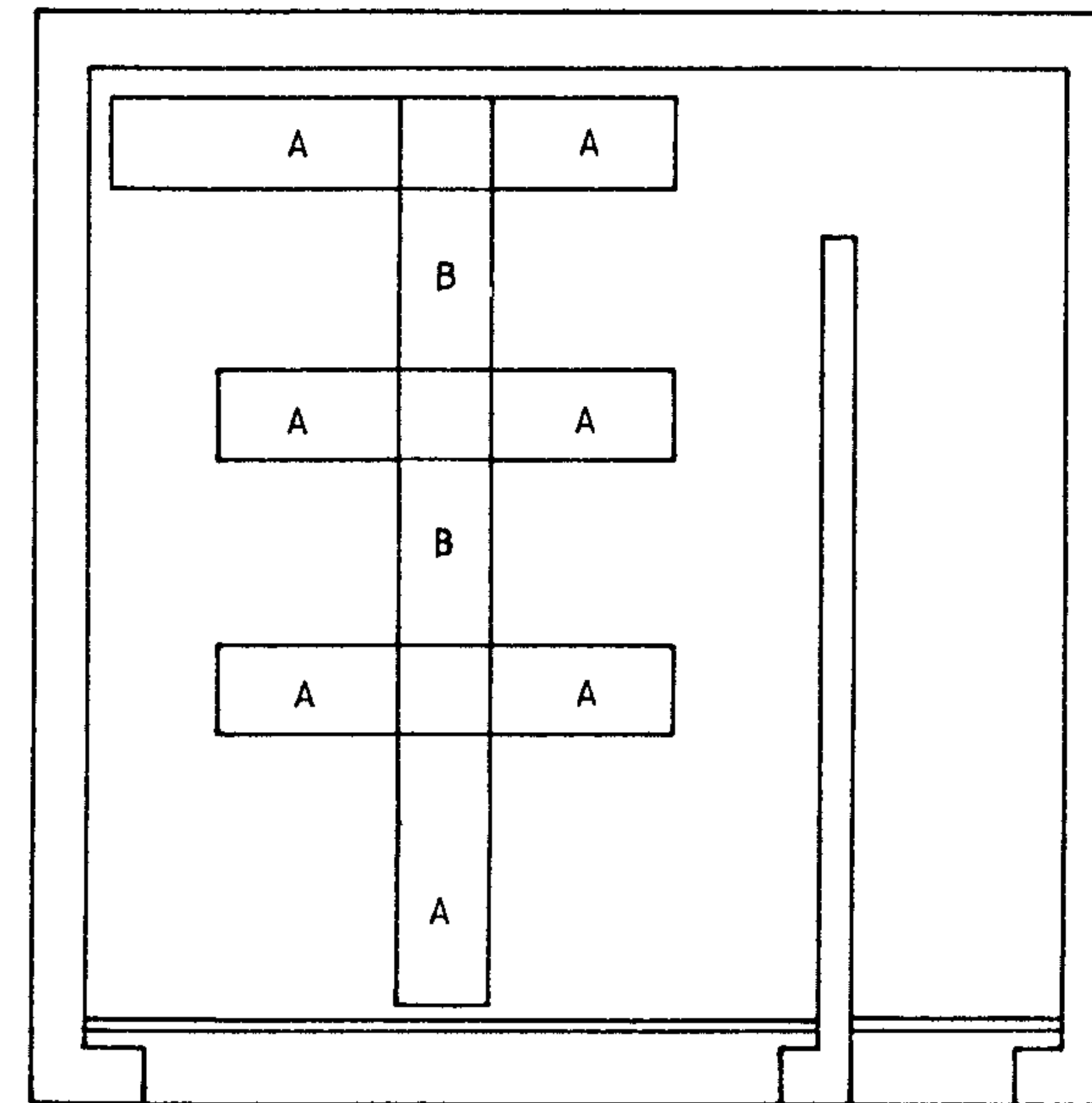
DETAIL 1



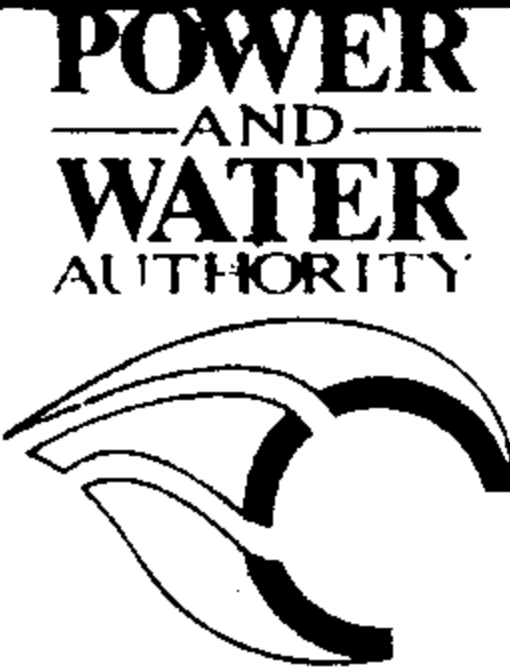
HV & LV CABLE INSTALLATION



ITEM B
 Expanded metal grid mesh G M 50105 enclosed in M.S. 20x20 angle spot weld on 150 spacings.
 All dimensions are to be determined by on site checks
 Cold galvanising paint to be applied on all welds



DUCT COVER LAYOUT

| | | | | | | | |
|----|---|--|------|-----------------------------|--|---------------------|--|
| | |  POWER DIRECTORATE | | DES G M Shanag | | NT STANDARD DRAWING | |
| | | | | DRN R.P.P. | | TITLE | |
| | | CKD <i>G.M. Shanag</i> | | INDOOR SUBSTATION | | | |
| | | APPD <i>...</i> | | DUCT COVER AND CABLE LAYOUT | | | |
| | | ISSUED 5.2.86 | | DETAILS | | | |
| | | DRAFTING STANDARD TO A.S. 1100 | | A3 | | DRAWING NUMBER | |
| | | ALL DIM. IN mm | | SCALE N.T.S. | | S2-2-7-1 | |
| | | | | SHEET | | AMD.T. | |
| 3 | TRENCH LAYOUT AMENDED | <i>As 2/4</i> | 3/90 | <i>BC</i> | | | |
| 2 | GENERAL REVISION. TITLE & Drg NUMBER CHANGED. ITEM A NOTES CHANGED. | | 6/88 | <i>RLJ</i> | | | |
| NO | AMENDMENTS | | DATE | INITIAL | | | |