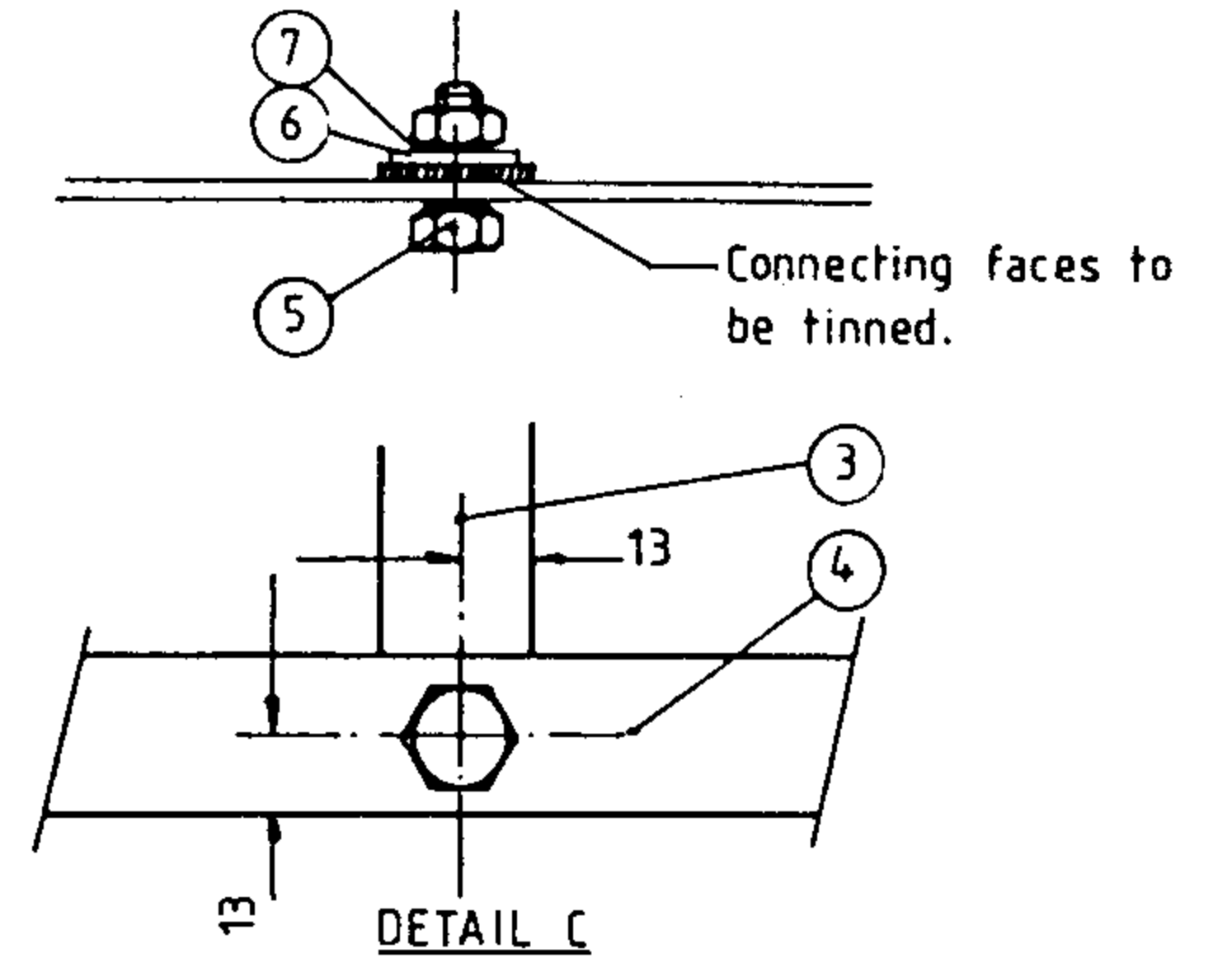
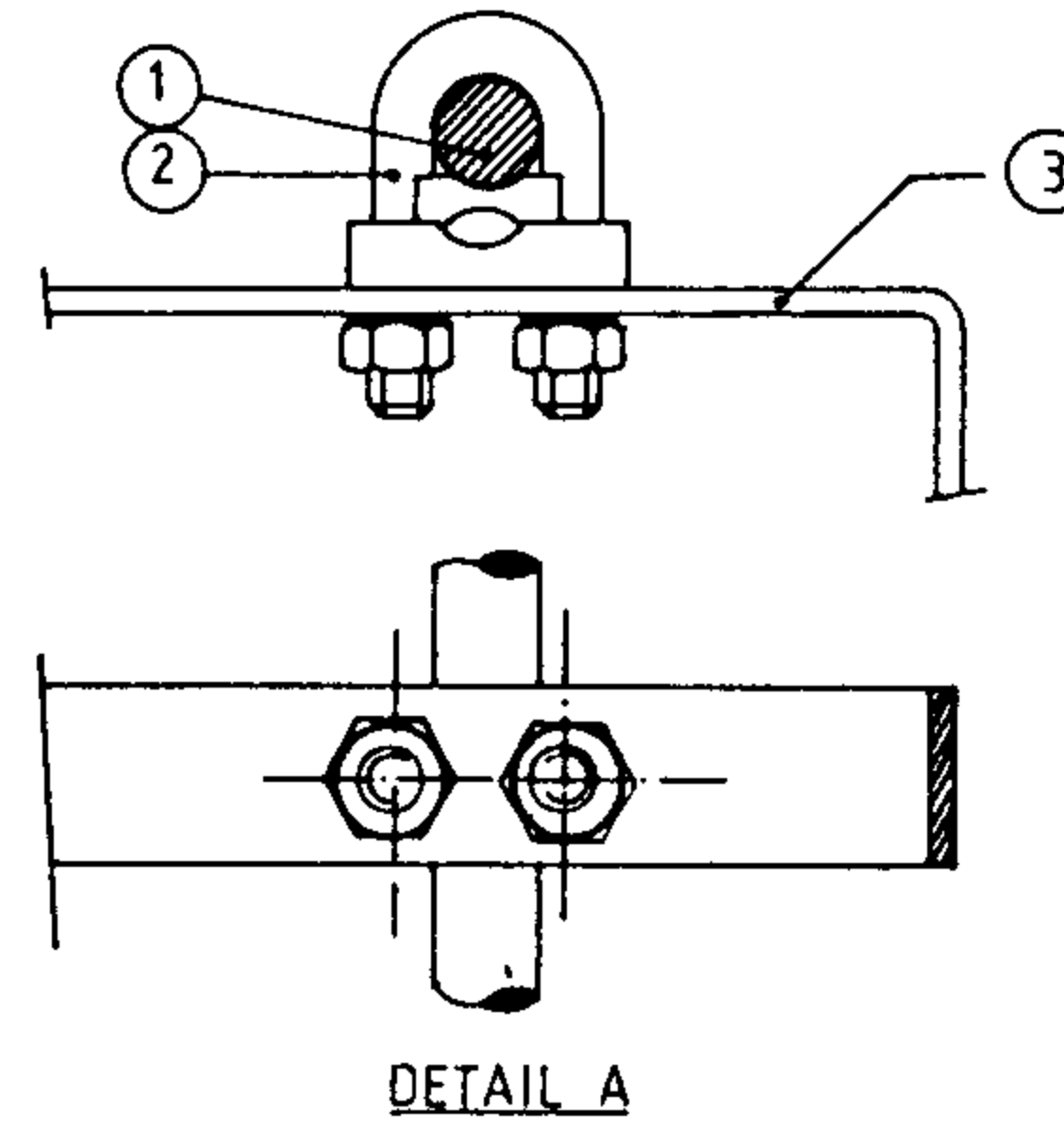
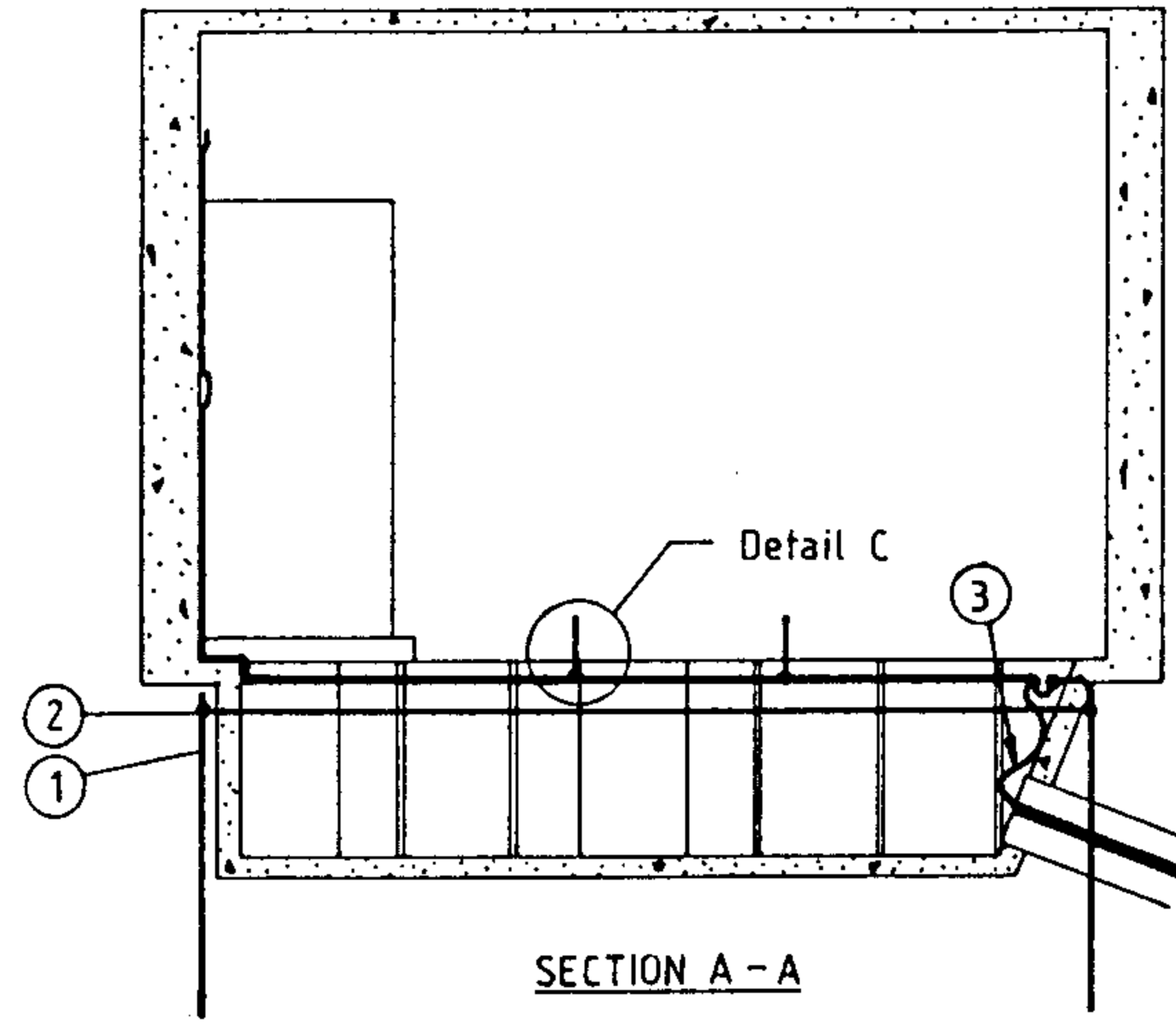
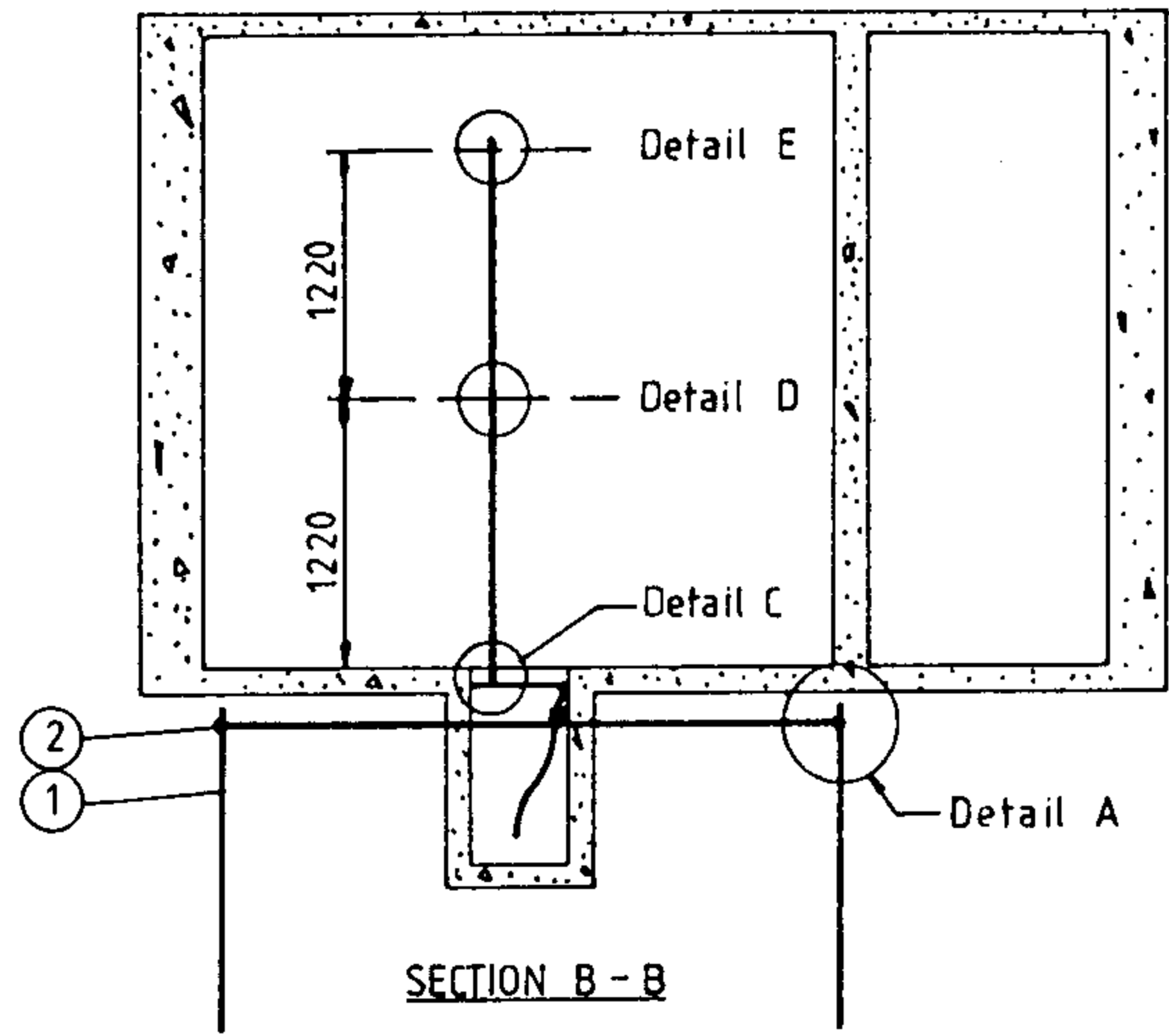


3RD ANGLE — DO NOT SCALE — REPORT ANY ERRORS, OMISSIONS TO DRAFTING OFFICE

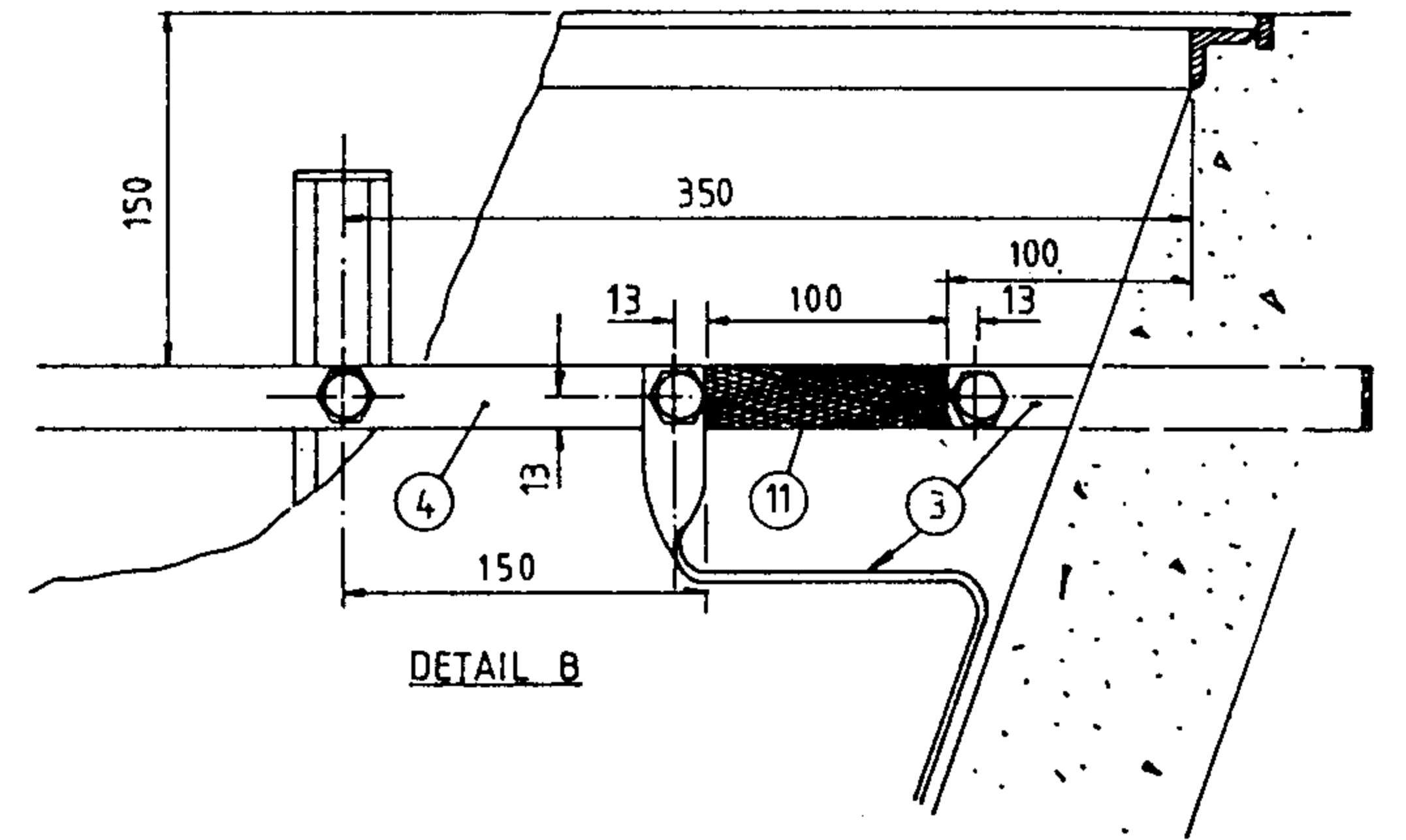
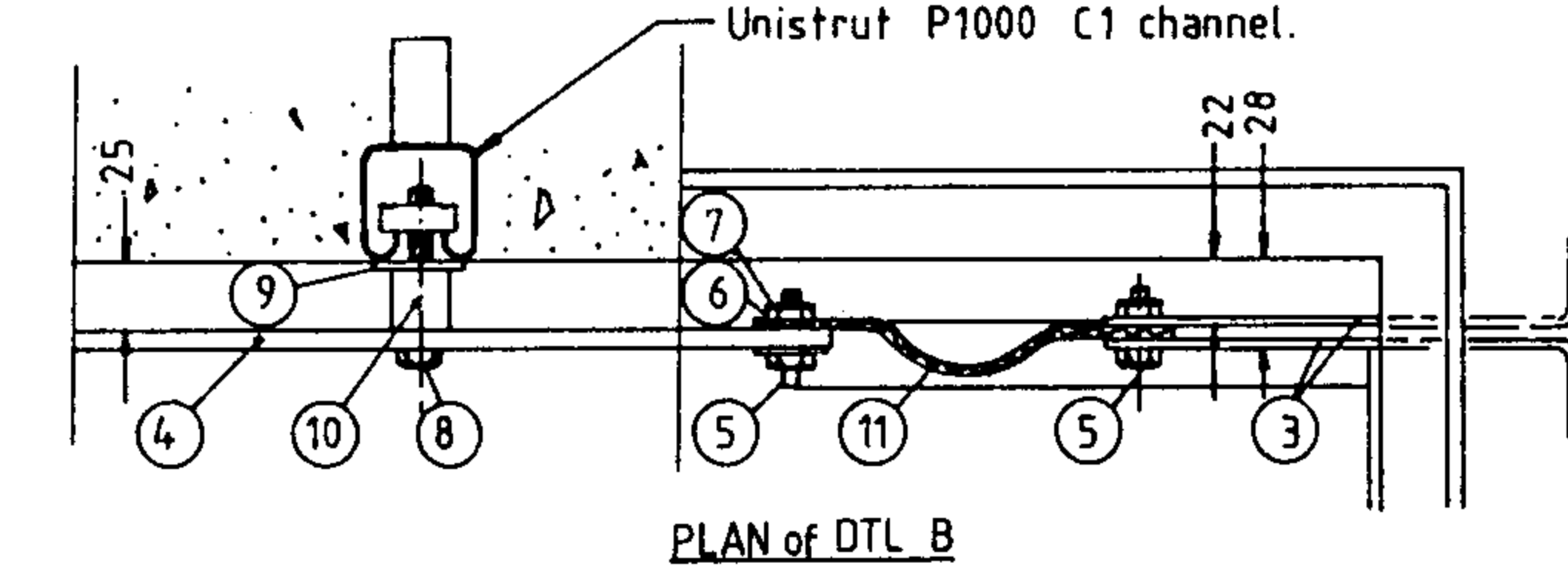
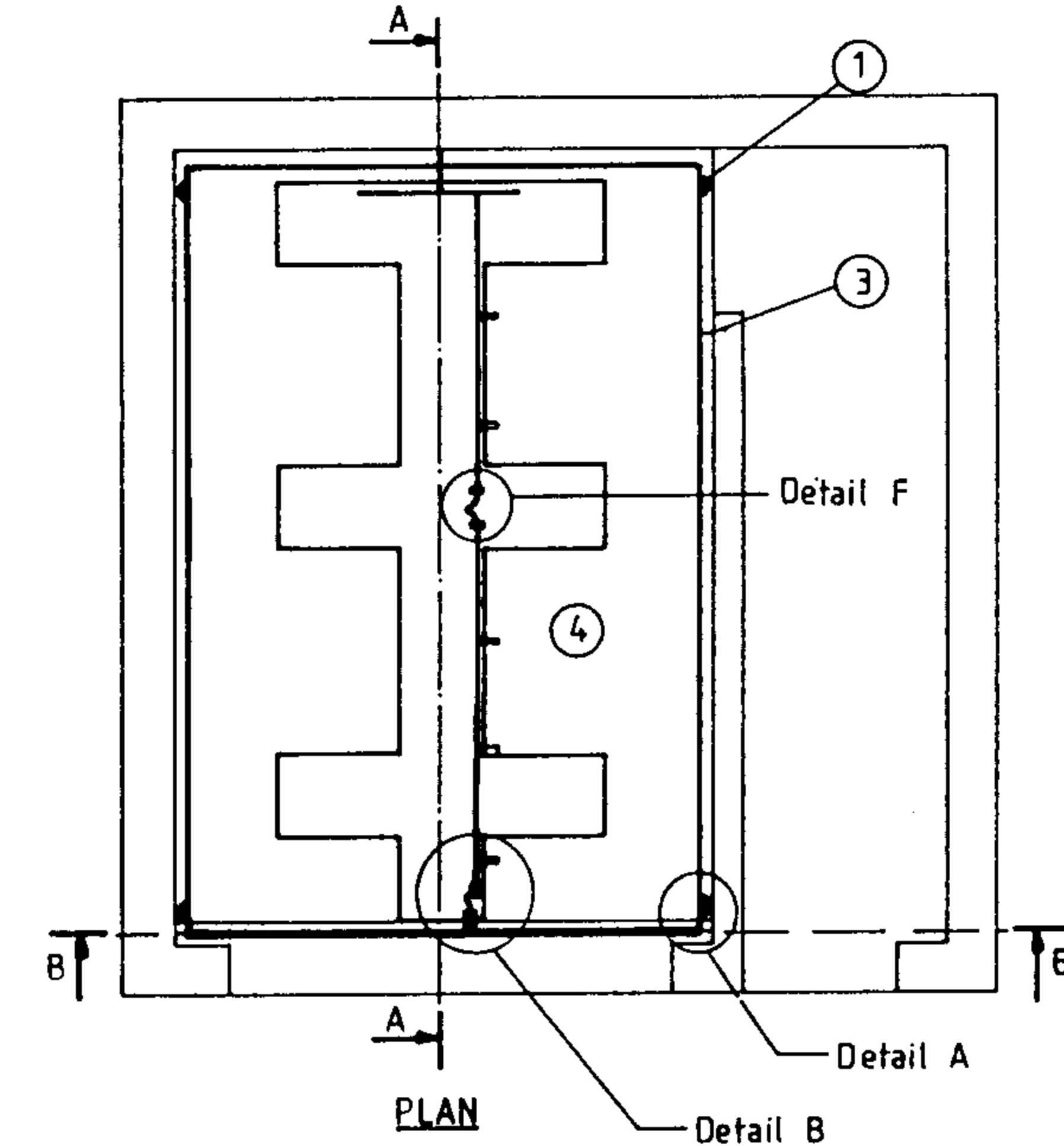


SECTION B-B

SECTION A-A

DETAIL A

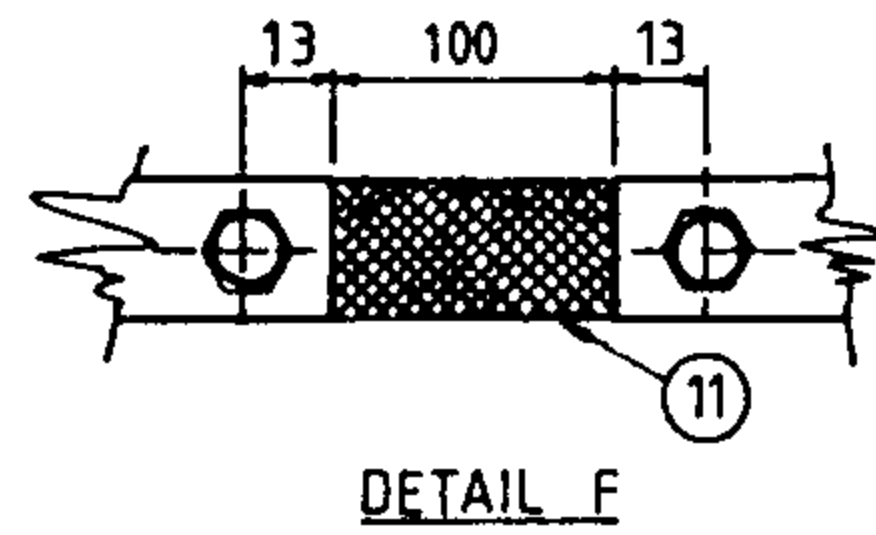
DETAIL C



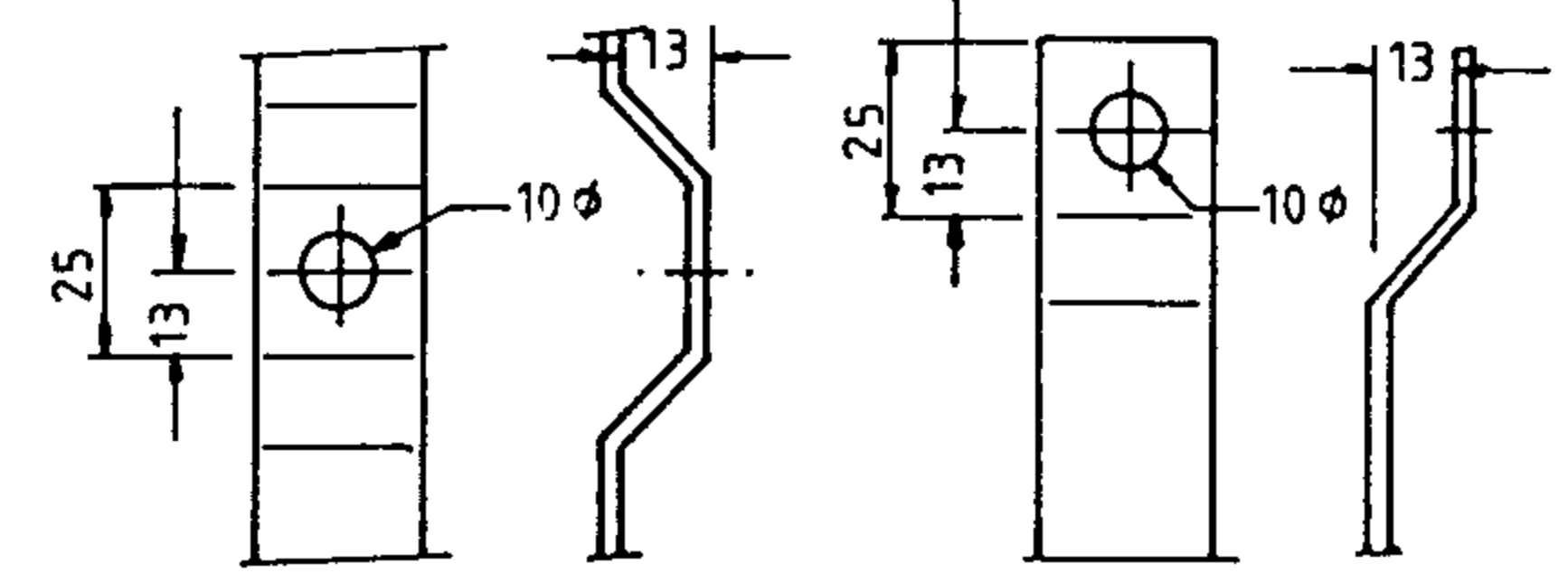
DETAIL B

Nº	QTY.	DESCRIPTION	DRG. N°	STOCK CODE
11	2	braid - earth - flexible -230		1685
10	7	conduit-steel- galv. - 19 x 25 lg		8433
9	6	washer-flat-steel-galv. - 10		114272
8	6	bolt-hex hd.cad.-BSW -64x10		
7	7	washer-spring - 10		114264
6	12	washer-flat-brass - 10		
5	7	bolt-hex hd.cad. - M10 x 25		11405
4	as req	busbar-copper-rect. - 25 x 10		
3	as req	busbar-copper-earthing-25 x 3		3301
2	4	clamp for earth rod 14φ		2154
1	4	electrode-earthing-rod - 14φ		1613

MATERIAL SCHEDULE.



DETAIL F



DETAIL D

DETAIL E

NOTES:

1. With test link disconnected resistance of earth mat and /or electrode shall be 30 ohms maximum.
2. With test link connected resistance of earth mat and /or and neutral shall be 1.0 ohms maximum. Substation shall not be energised until this figure has been achieved.

Nº	AMENDMENT	DATE	APP.
2	TITLE AND Drg N° CHANGED	JUNE 88	[Signature]
1	STOCK CODES AMENDED.	03/87	[Signature]

<p>POWER AND WATER AUTHORITY</p> <p>POWER DIRECTORATE:</p>	DES J.HASSANEN	NT STANDARD DRAWING	
	DRN S.JACKSON	TITLE	
	CKD [Signature]	EARTHING	
	APPD [Signature]	INDOOR SUBSTATION	
ISSUED 5.2.86	GENERAL ARRANGEMENT		
DRAFTING STANDARD TO A.S. 1100	A3	DRAWING NUMBER	
ALL DIM. IN mm		S2-2-5-2	
	SCALE NOT TO SCALE.	SHEET	AMOT.