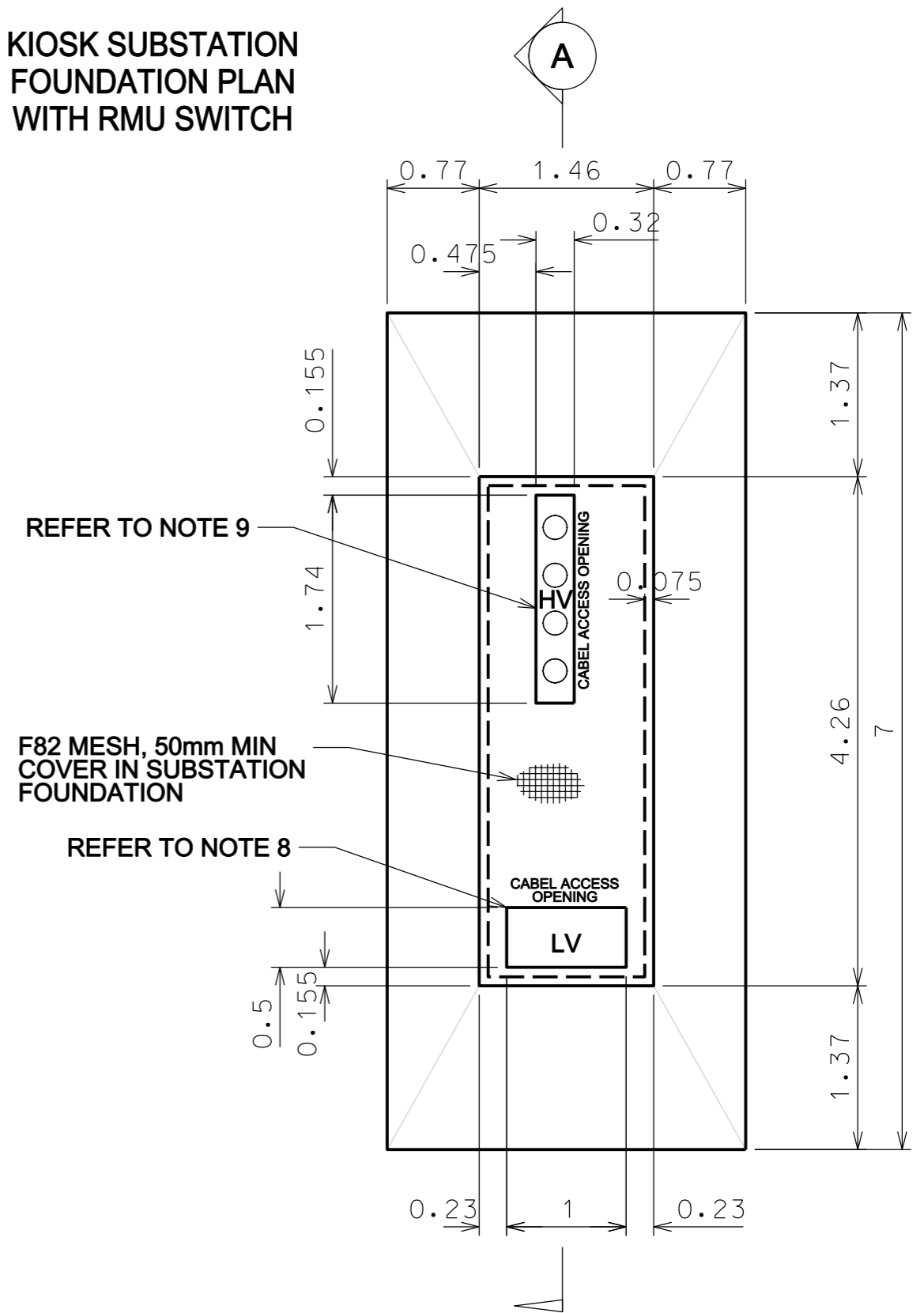


**KIOSK SUBSTATION  
FOUNDATION PLAN  
WITH RMU SWITCH**



**NOTES**

1. ACCESS TO THE SUBSTATION WORKING FACE MUST BE CLEAR AT ALL TIMES.
2. WHERE DUCT RUNS EXCEED 3m A 16g SYNTHETIC DRAW WIRE SHALL BE INSTALLED IN ALL SPARE DUCTS: THERE SHALL BE AT LEAST 2m SPARE COILED JUST INSIDE THE CAP.
3. EARTHING SHALL BE INSTALLED IN ACCORDANCE WITH DRG S2-2-5-8 ,THE BUILDER IS TO GIVE 24 Hrs NOTICE OF INTENTION TO POUR SLAB.
4. NO BUILDING SERVICES (INCLUDING DRAINAGE, SEWERAGE, WATER PIPES AND ELECTRICAL WIRING) OTHER THAN THOSE ESSENTIAL TO THE SUBSTATION OPERATION SHALL PROTRUDE INTO THE SUBSTATION AREA.
5. WHERE THE SUBSTATION IS NOT ON THE PROPERTY BOUNDARY THE CONSUMER SHALL PROVIDE RIGID PVC PIPES (ORANGE) FROM THE SUBSTATION ENTRY TO THE PROPERTY BOUNDARY. THE SIZE OF THE CONDUITS AND THE ROUTE THAT THEY ARE TO FOLLOW IS TO BE DETERMINED BY THE PWC REGIONAL ENGINEER OR APPROPRIATE TECHNICAL OFFICER.
6. THE BUILDER IS TO GIVE 48 Hrs NOTICE OF INTENTION TO BACKFILL DUCT TRENCHES.
7. CONCRETE SHALL BE CLASS 20/20 IN ACCORDANCE WITH AS 3600 - 1994.
8. AFTER COMPACTION AN APPROVED MOISTURE BARRIER SUCH AS 0.5mm BLACK NYLON SHEETING IS TO BE CAREFULLY PLACED ON THE SAND SO AS TO COVER THE ENTIRE SURFACE.
9. TO PREVENT PLANT GROWTH A 25mm THICK LAYER OF GROUT (8 : 1 SAND/CEMENT MIX) OR AN ALTERNATIVE MATERIAL "GRANITE GUARD" MARKED BY CSIRO IS TO BE LAID IN THE HV AND LV CABLE ENTRY PITS AFTER THE INSTALLATION OF CABLES AND CONDUITS.

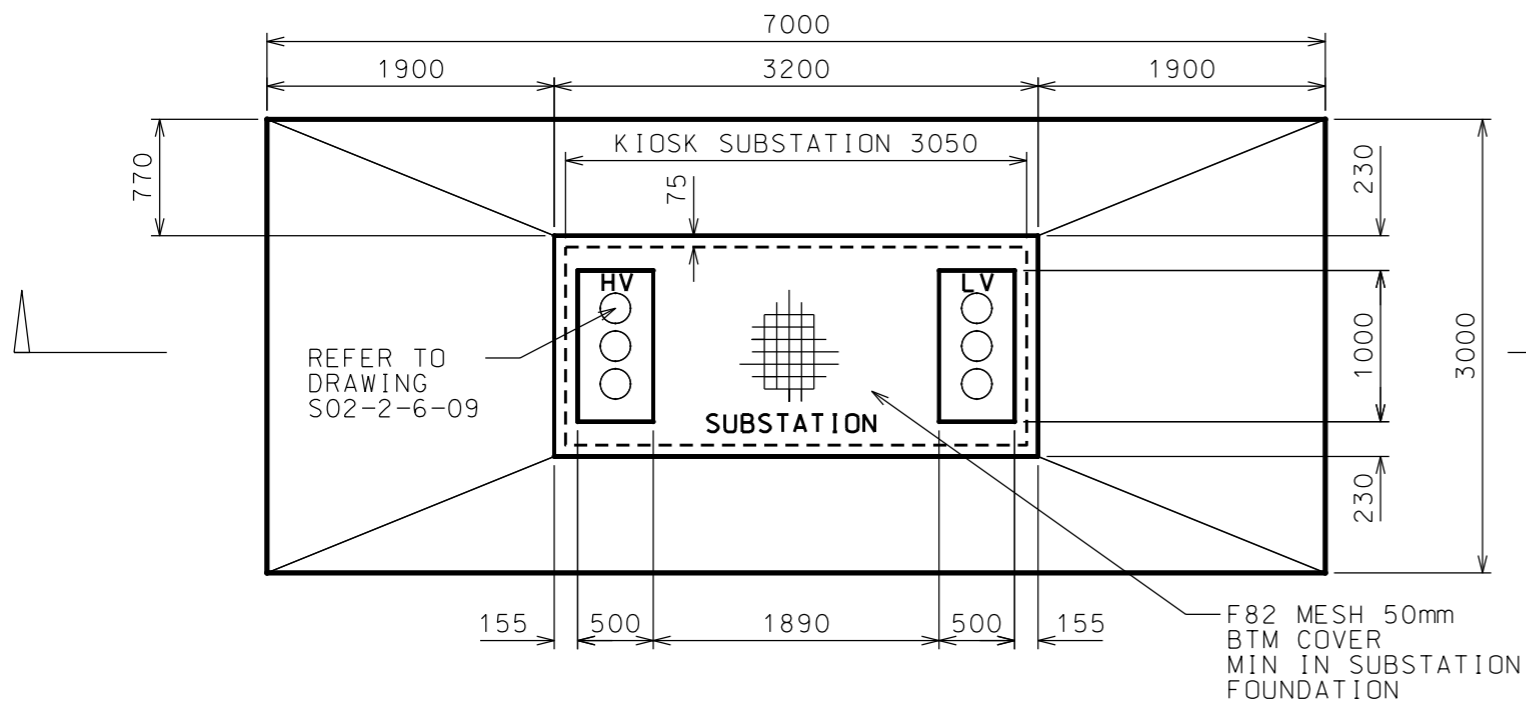
NO	DESCRIPTION	DRN	DATE	CKD	APPD
1	CONDUIT & SAND PIT DETAILS AMENDED	J.C.	NOV'08	B.C.	S.C.
0	ISSUED FOR CONSTRUCTION	J.C.	SEP'07	B.C.	S.C.
AMENDMENTS					



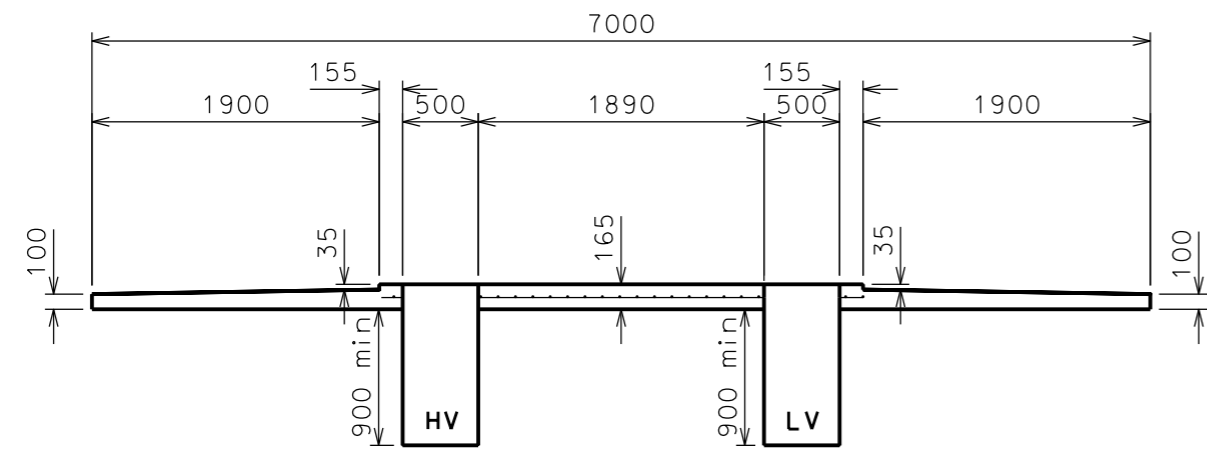
DES	B CHEUNG
DRN	J COPPINS
CKD	B CHEUNG
APPD	B CHEUNG
SCALE	1:50
ISSUED	SEP 07
ALL DIM. IN mm	
DRAFTING STANDARD TO A.S.1100	

**CIVIL  
KIOSK SUBSTATION (300-1000kVA)  
CABLE ENTRY AND FOUNDATION DETAILS  
1 OF 2**

A3	DRAWING NUMBER	S02-2-6-29	1 AMD T
CAD PRODUCT - DO NOT AMEND MANUALLY			



**KIOSK SUBSTATION  
FOUNDATION PLAN  
WITH HOLEC MAGNEFIX SWITCH**



**SECTION A**

**NOTES :**

1. ACCESS TO THE SUBSTATION WORKING FACE MUST BE CLEAR AT ALL TIMES.
2. WHERE DUCT RUNS EXCEED 3m A 16g SYNTHETIC DRAW WIRE SHALL BE INSTALLED IN ALL SPARE DUCTS: THERE SHALL BE AT LEAST 2m SPARE COILED JUST INSIDE THE CAP.
3. EARTHING SHALL BE INSTALLED IN ACCORDANCE WITH DRG S2-2-5-8 ,THE BUILDER IS TO GIVE 24 Hrs NOTICE OF INTENTION TO POUR SLAB.
4. NO BUILDING SERVICES (INCLUDING DRAINAGE, SEWERAGE, WATER PIPES AND ELECTRICAL WIRING) OTHER THAN THOSE ESSENTIAL TO THE SUBSTATION OPERATION SHALL PROTRUDE INTO THE SUBSTATION AREA.
5. WHERE THE SUBSTATION IS NOT ON THE PROPERTY BOUNDARY THE CONSUMER SHALL PROVIDE RIGID PVC PIPES (ORANGE) FROM THE SUBSTATION ENTRY TO THE ELECTRICAL ALIGNMENT. THE SIZE OF THE CONDUITS AND THE ROUTE THAT THEY ARE TO FOLLOW IS TO BE DETERMINED BY THE PWC REGIONAL ENGINEER OR APPROPRIATE TECHNICAL OFFICER.
6. THE BUILDER IS TO GIVE 48 Hrs NOTICE OF INTENTION TO BACKFILL DUCT TRENCHES.
7. CONCRETE SHALL BE CLASS 20/20 IN ACCORDANCE WITH AS 3600 - 1994.
8. AFTER COMPACTION AN APPROVED MOISTURE BARRIER SUCH AS 0.5mm BLACK NYLON SHEETING IS TO BE CAREFULLY PLACED ON THE SAND SO AS TO COVER THE ENTIRE SURFACE.
9. TO PREVENT PLANT GROWTH A 25mm THICK LAYER OF GROUT (8 : 1 SAND/CEMENT MIX) OR AN ALTERNATIVE MATERIAL "GRANITE GUARD" MARKETED BY CSIRO IS TO BE LAID IN THE HV AND LV CABLE ENTRY PITS AFTER THE INSTALLATION OF CABLES AND CONDUITS.

1	CONDUIT & SAND PIT DETAILS AMMENDED	J.C.	NOV 08	B.C.	S.C.
0	ISSUED FOR CONSTRUCTION	J.C.	SEP 07	B.C.	S.C.
NO	DESCRIPTION	DRN	DATE	CKD	APPD
AMENDMENTS					



DES	B CHEUNG
DRN	J COPPINS
CKD	B CHEUNG
APPD	B CHEUNG
SCALE	1:50
ISSUED	SEP 07
ALL DIM. IN mm	
DRAFTING STANDARD TO A.S.1100	

**CIVIL  
KIOSK SUBSTATION (300-1000kVA)  
CABLE ENTRY AND FOUNDATION DETAILS  
2 OF 2**

<b>A3</b>	<b>DRAWING NUMBER</b>	<b>S02-2-6-29</b>	

CAD PRODUCT - DO NOT AMEND MANUALLY