

NOTES

- 1) Positioning of bollards around asset shall be determined for each project.
- 2) Bollard to be placed such that the lock is facing the asset.
- 3) Bollard key to be kept inside the asset enclosure at an easily accessible location, e.g. L.V. compartment in package/kiosk substations.
The key is to be hung on a metal hook securely attached to the inside of the enclosure.

Installation:


Foundation dimensions: 400mm Wide x 400mm Long x 400mm Deep.

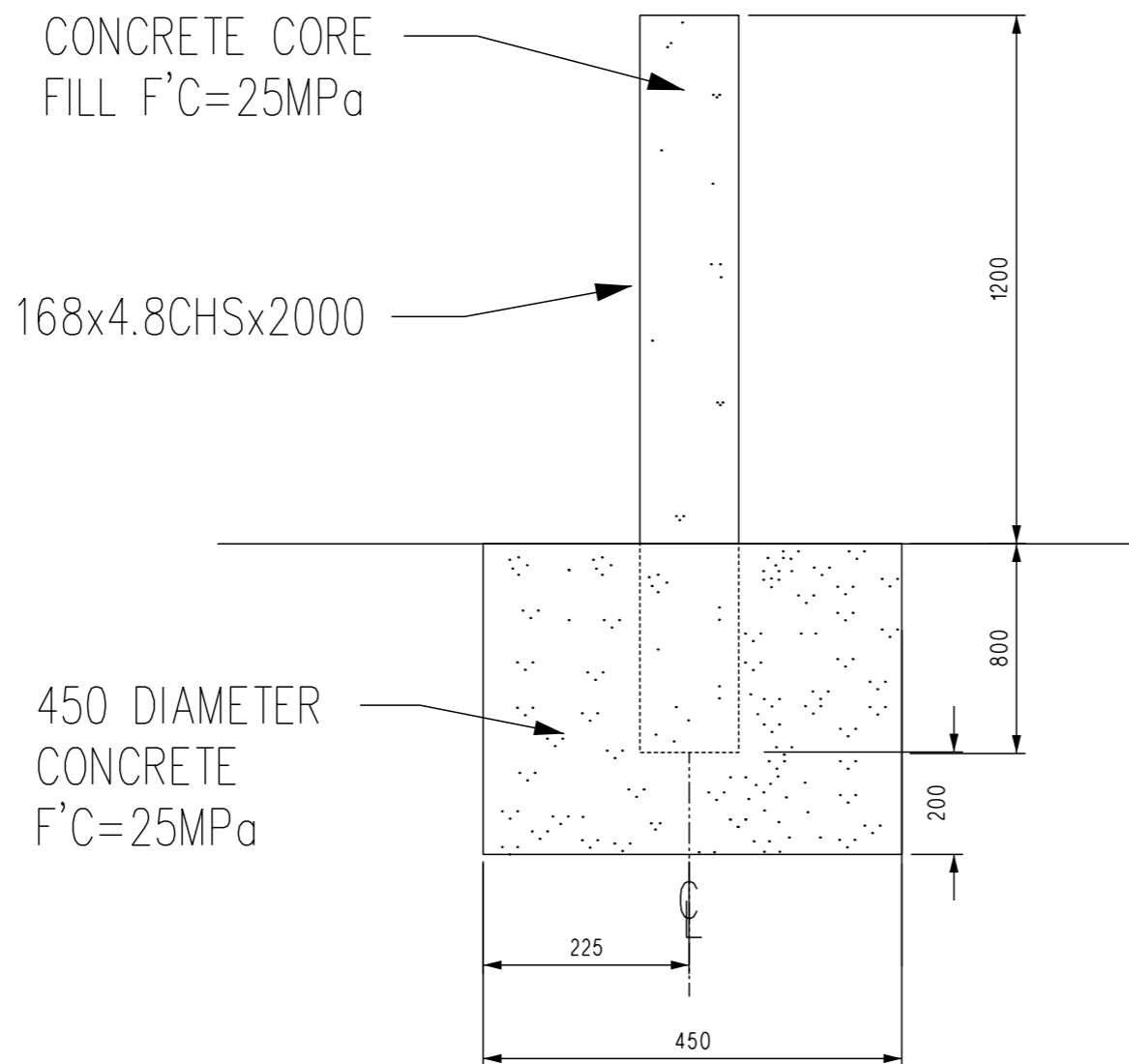
- 1) Insert bollard sleeve with bollard in sleeve and level bollard up then brace unit with bollard facing correct direction.
- 2) Add rapid set concrete and screed off. Note ensure that the bollard lid is level with concrete.
- 3) Remove bollard from sleeve and clean off any overspill.
- 4) Insert bollard and check the locking device is working.

STOCK CODE: 407124

NO	DESCRIPTION	DRN	DATE	CKD	APPD
0	ISSUED FOR CONSTRUCTION	J.C.	MAR'08	A.T.	S.C.
AMENDMENTS					



DES	A.TAYLOR	POWER STANDARD DRAWING		
DRN	J.COPPINS	CIVIL BOLLARDS FOUNDATION DETAIL		
CKD	S.C.			
APPD	S.C.			
SCALE	N.T.S.			
ISSUED	MAR.08	A3	DRAWING NUMBER	S02-2-6-28
ALL DIM.	IN mm			
DRAFTING STANDARD TO A.S.1100		CAD PRODUCT - DO NOT AMEND MANUALLY		 AMDT



NOTES

1. SUITABLE FOR AREAS WHERE VEHICLE SPEED EXCEED 30KM/HR.
2. ACCESS TO THE SUBSTATION/SWITCHGEAR WORKING FACE MUST BE CLEAR AT ALL TIME.
3. MATERIALS:
 - 168mm DIAMETER x 4.8mm CIRCULAR HOLLOW SECTION (CHS) x 2000mm LONG STEEL PIPE
 - CONCRETE TO BE 25Mpa
4. PROTECTIVE BOLLARDS ARE TO BE INSTALLED AROUND SUBSTATION/RMU/PILLAR AT POTENTIAL VEHICLE IMPACT LOCATIONS AND IN ACCORDANCE WITH THE INSTRUCTION BY THE PROJECT SUPERINTENDENT.

PROTECTIVE BOLLARD DETAILS (N.T.S.)

						DES	T.LAM	POWER STANDARD DRAWING		
						DRN	T.LAM			
						CKD	T.LAM	POWER NETWORKS - DARWIN DISTRIBUTION PROTECTIVE BOLLARD DETAILS		
						APPD	-			
						SCALE	N.T.S.	FILE NO. DRAWING NUMBER S02-2-6-28_2		
						ISSUED	19/07/11			
						ALL DIM. IN mm	A3	CAD PRODUCT - DO NOT AMEND MANUALLY		
						DRAFTING STANDARD TO A.S.1100				
AMENDMENTS						PowerWater		AMD T		
1	NEW DRAWING NUMBER ADDED	K.T.	APR'16	I.B.	B.C.					
NO	DESCRIPTION	DRN	DATE	CKD	APPD					