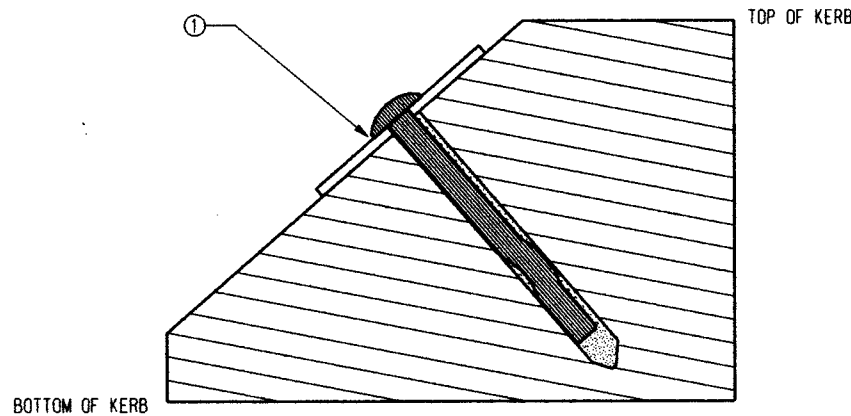


VERTICAL KERB



ANGLE KERB



INSTALLATION OF MARKERS

1. DRILL A 5mm DIAMETER HOLE TO A DEPTH OF APPROXIMATELY 60mm. THE EDGE OF THE TAG IS TO BE MINIMUM DISTANCE OF 20mm FROM THE TOP KERB EDGE WHEN INSTALLED.
2. CLEAN OUT DUST FROM HOLE USING BLOWER OR VACUUM.
3. INJECT RAMSET CHEMSET INJECTION 800 OR EQUIVALENT CHEMICAL ANCHORING PRODUCT INTO HOLE (APPROXIMATELY 40ml REQUIRED).
4. HAMMER SPIKE WITH TAG INTO HOLE UNTIL TAG IS FLUSH WITH KERB AND TAG ROTATED SO TEXT IS AS SHOWN IN DRAWING.

LOCATING KERB MARKERS:

KERB MARKERS ARE TO BE LOCATED DIRECTLY ABOVE CABLES AT ROAD CROSSINGS, ON EACH SIDE OF THE ROAD AND ALSO ON THE MEDIAN STRIP KERBS.

TAG	DESCRIPTION	STOCK CODE	DWG No.
1	KERB MARKER TAG & SPIKE	N.S.I.	S02-1-8-28

						DES	C.T.F	POWER STANDARD DRAWING																							
						DRN	K.I.	CIVIL																							
						CKD	C.C.	CABLE ROUTE MARKERS																							
						APPD	C. C	KERB																							
						SCALE		1:1																							
						ISSUED		JUL '05		A3	DRAWING NUMBER	S02-2-6-27																			
						ALL DIM.		IN mm						CAD PRODUCT - DO NOT AMMEND MANUALLY																	
						DRAFTING STANDARD TO		A.S.1100																							
																															
						<table border="1"> <thead> <tr> <th>NO</th> <th>DESCRIPTION</th> <th>DRN</th> <th>DATE</th> <th>CKD</th> <th>APPD</th> </tr> </thead> <tbody> <tr> <td>0</td> <td>ISSUED FOR CONSTRUCTION</td> <td>K.I.</td> <td>AUG '05</td> <td>C.C.</td> <td>C.C.</td> </tr> <tr> <td colspan="6">AMENDMENTS</td> </tr> </tbody> </table>						NO	DESCRIPTION	DRN	DATE	CKD	APPD	0	ISSUED FOR CONSTRUCTION	K.I.	AUG '05	C.C.	C.C.	AMENDMENTS							
NO	DESCRIPTION	DRN	DATE	CKD	APPD																										
0	ISSUED FOR CONSTRUCTION	K.I.	AUG '05	C.C.	C.C.																										
AMENDMENTS																															