

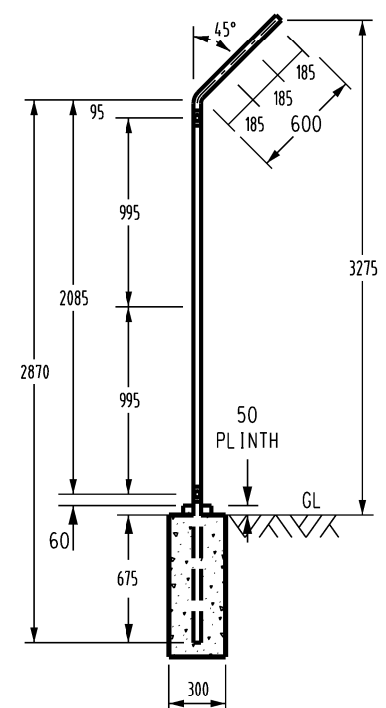
NOTE REFER GATE AND CORNER POST DETAIL SHOWING OFFSET STAYS ON CORNER POST

**NOTES:**

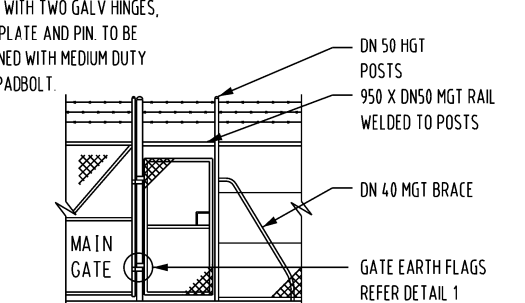
1. WHEN SINGLE LEAF GATE REQUIRED WITH OPENING UP TO 3700 WIDE, USING 2100 CHAINWIRE MESH, THE CONSTRUCTION OF SECURITY FENCE SHALL BE AS DRAWN.
2. IN CASE OF USING 2430 HIGH CHAINWIRE MESH, THE FOLLOWING ADDITIONAL MATERIALS AND PROCEDURE SHALL BE USED:  
(A) ADDITIONAL CABLE WIRE SHALL BE USED, AT 610 CENTERS (4 ALTOGETHER);  
(B) INTERMEDIATE POST SIZE SHALL BE INCREASED FROM DN40 TO DN50;  
(C) HEIGHT OF BRACE/STRAINER POST CONNECTION TO BE TO 2200.
3. POST CAPS - 3.2mm THICK, PRESSED MILD STEEL, GALVANIZED.
4. STRINGING WIRE - TWO STRANDS OF 4mm GALVANIZED WIRE TWISTED TOGETHER DURING ERECTION.
5. TIE WIRE - 2mm SOFT MILD STEEL GALVANIZED.
6. BARBED WIRE DOUBLE STRAND 2.5mm '10WA' PATTERN WITH 2mm FOUR (4) POINTS BARBS AT 90 CENTRES.
7. ALL CONNECTIONS SHALL BE MADE USING STANDARD PATTERN GALVANIZED CLAMPS.
8. GATE FITTINGS SHALL BE HEAVY-DUTY GALVANIZED.
9. FOR EARTHING PURPOSES, ALL POSTS SHALL HAVE 50 X 50 X 6 MS CLEATS WELDED JUST ABOVE GL DRILL 14mm CLEARANCE HOLE CENTRALLY. EARTH CONNECTION IS REQUIRED ONLY FOR ELECTRICAL EQUIPMENT, NOT GENERAL PURPOSE FENCING.
10. TO PREVENT WEED GROWTH, AND PROVIDE A MOWING STRIP, A CONTINUOUS CONCRETE STRIP 150mm WIDE (75mm EITHER SIDE OF FENCE) TO BE 50mm ABOVE FINISHED SURFACE OF GRAVEL SHALL BE CONSTRUCTED, MINIMUM THICKNESS 166mm. MOWING STRIPS ONLY SUPPLIED WHEN INCLUDED IN SPECIFICATION.
11. CONCRETE IS TO BE GRADE N25 (F'c 25MPa, 20mm MAXIMUM AGGREGATE). ALL WORK IS TO BE CARRIED OUT IN ACCORDANCE WITH AS3600.
12. MGT MEDIUM GAUGE TUBE.
13. ALL WELDS AND BLACK METAL SURFACES TO BE DEGREASED, CLEANED AND COATED WITH INORGANIC EPOXY ZINC COMPOUND.

**CHAINWIRE MESH SECURITY FENCE & GATES**

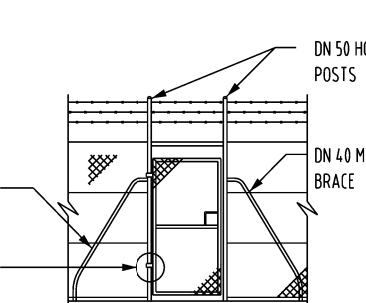
PEDESTRIAN GATES TO BE FITTED WITH TWO GALV HINGES, PIVOT PLATE AND PIN TO BE FASTENED WITH MEDIUM DUTY GALV PADBOLT.



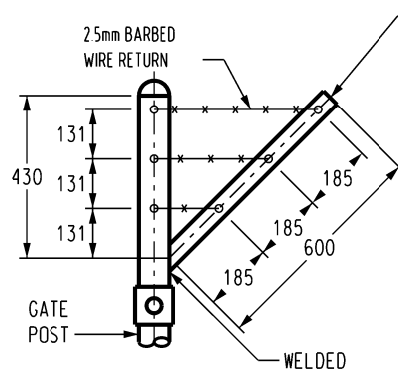
**INTERMEDIATE POST**  
SCALE 1:40



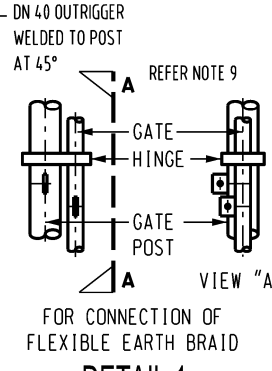
**PEDESTRIAN GATE ADJ TO MAIN GATE**  
SCALE 1:100



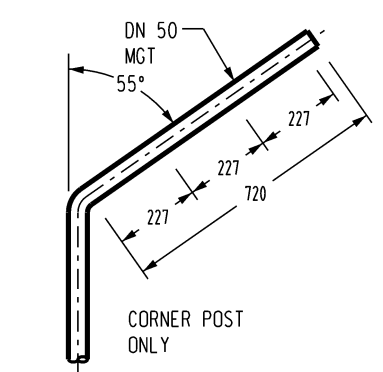
**PEDESTRIAN GATE ON FENCE LINE**  
SCALE 1:100



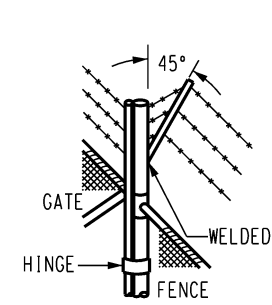
**BARBED WIRE RETURN TO GATE POST**  
SCALE 1:20



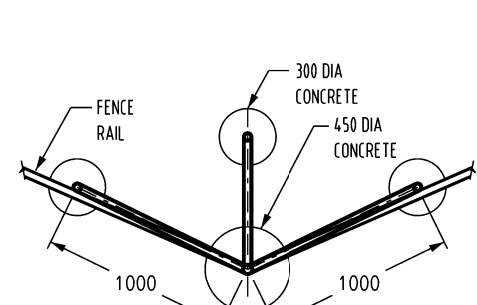
**DETAIL 1 EARTH FLAGS**  
SCALE 1:20



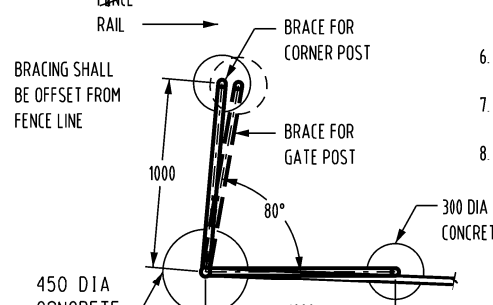
**BARBED WIRE SPACING**  
SCALE 1:20



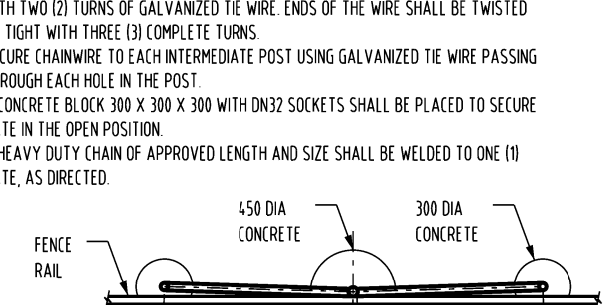
**GATE & FENCE TOP DETAILS**  
SCALE 1:40



**CORNER POST ARR'GT**  
SCALE 1:40



**CORNER & GATE POST ARR'GT**  
SCALE 1:40



**STRAINER POST ARR'GT**  
SCALE 1:40

**ALIGNMENT:**

1. THE FENCE SHALL BE CONSTRUCTED AS SHOWN ON THE RESPECTIVE SITE PLAN.
2. OVERHANGING SECTIONS OF BARBED WIRE IN STREETS, PROPERTIES ETC SHALL BE SUBJECT TO AN AGREEMENT.

**CONSTRUCTION:**

1. CONCRETE SHALL BE FINISHED BY TROWEL. ALL EDGES SHALL BE CURVED, AND A FALL OF 10mm FROM POSTS SHALL BE PROVIDED.
2. SURPLUS MATERIALS FROM EARTHWORKS SHALL BE REMOVED FROM SITE OR SPREAD WHERE DIRECTED.
3. SPACING:  
(A) CORNER POST SHALL BE PLACED AT ALL CHANGES OF DIRECTION,  
(B) STRAINING POSTS SHALL BE SPACED AT ALL DEFINITE CHANGE OF GRADE, OTHER STRAINING POSTS SHALL BE SPACED EVENLY, IN BETWEEN, AT INTERVALS NOT EXCEEDING 27m,  
(C) INTERMEDIATE POSTS SHALL BE SPACED EVENLY BETWEEN ALL GATE AND CORNER POSTS AND/OR STRAINING POSTS AT INTERVALS NOT EXCEEDING 4.5m.
4. ALL BRACING SHALL BE WITHIN THE SECURED AREA.
5. CHAINWIRE SHALL BE SECURED TO EACH ROW OF STRINGING WIRE AT 300mm CENTRES WITH TWO (2) TURNS OF GALVANIZED TIE WIRE. ENDS OF THE WIRE SHALL BE TWISTED UP TIGHT WITH THREE (3) COMPLETE TURNS.
6. SECURE CHAINWIRE TO EACH INTERMEDIATE POST USING GALVANIZED TIE WIRE PASSING THROUGH EACH HOLE IN THE POST.
7. A CONCRETE BLOCK 300 X 300 X 300 WITH DN32 SOCKETS SHALL BE PLACED TO SECURE GATE IN THE OPEN POSITION.
8. A HEAVY DUTY CHAIN OF APPROVED LENGTH AND SIZE SHALL BE WELDED TO ONE (1) GATE, AS DIRECTED.

DRG NO	DESCRIPTION	NO	DESCRIPTION	DRN	DATE	CKD	APPD
x		1	TITLE AMENDED	C.C.	DEC'18	B.V.	B.C.
		0	ISSUED FOR CONSTRUCTION	A.D.	SEP'99	R.I.	F.R.
ASSOCIATED DRAWINGS		AMENDMENTS					



DES	T&S (DTW)	POWER STANDARD DRAWING	
DRN	A.DAVIS	CIVIL	
CKD	R.INNES	CHAINWIRE MESH SECURITY FENCE	
APPD	F.ROBSON	WITH TOP AND BOTTOM RAILS	
SCALE	AS SHOWN	LOW RISK AREA	
ISSUED	SEPTEMBER 1999	A3	DRAWING NUMBER S02-2-6-22
ALL DIM. IN mm		CAD PRODUCT - DO NOT AMEND MANUALLY	
DRAFTING STANDARD TO A.S.1100		AMDT	