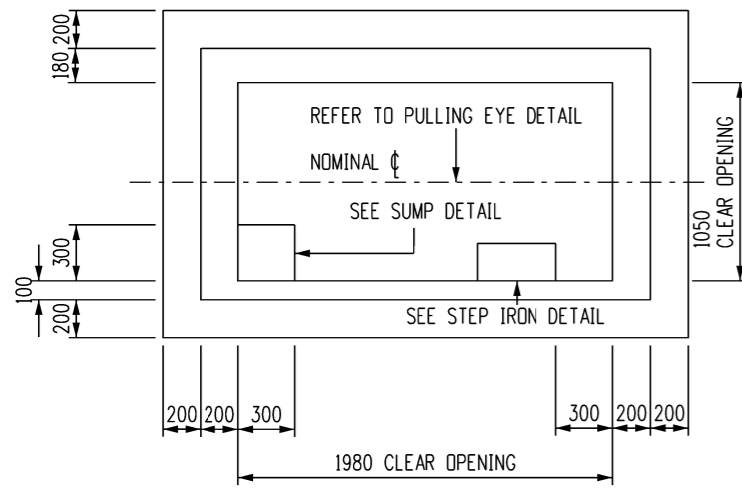
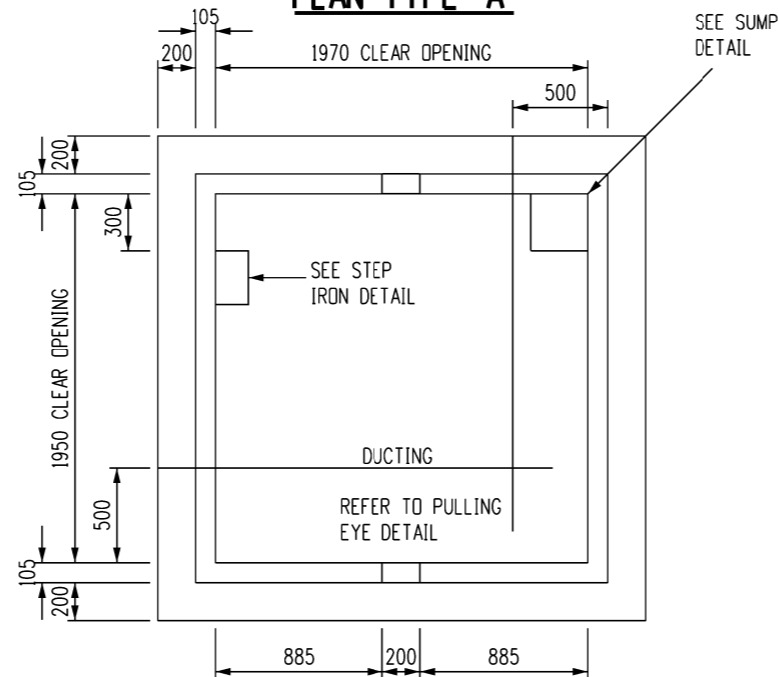


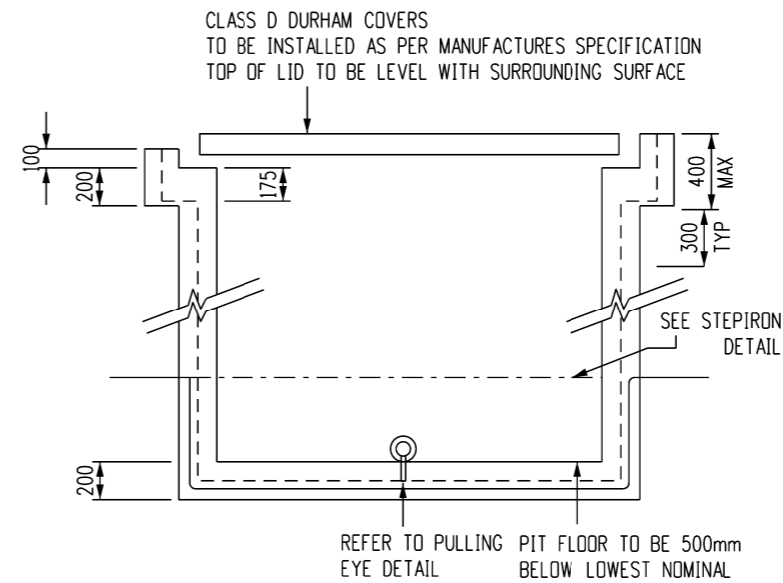
PLAN TYPE 'C'



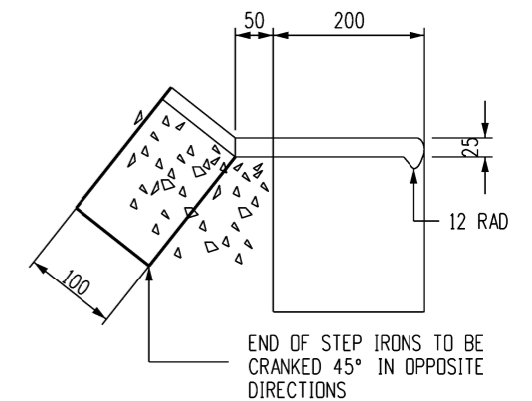
PLAN TYPE 'A'



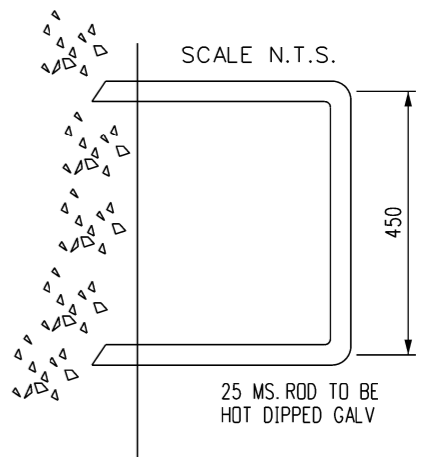
TYPICAL SECTION



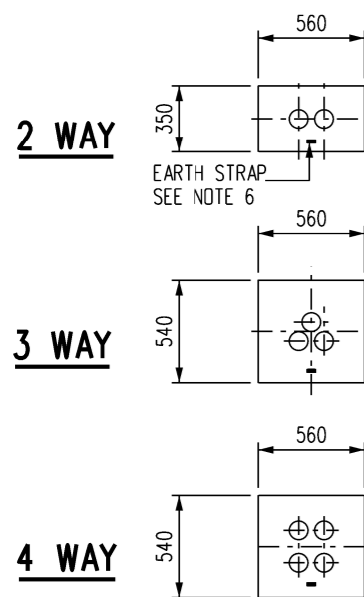
SCALE N.T.S.



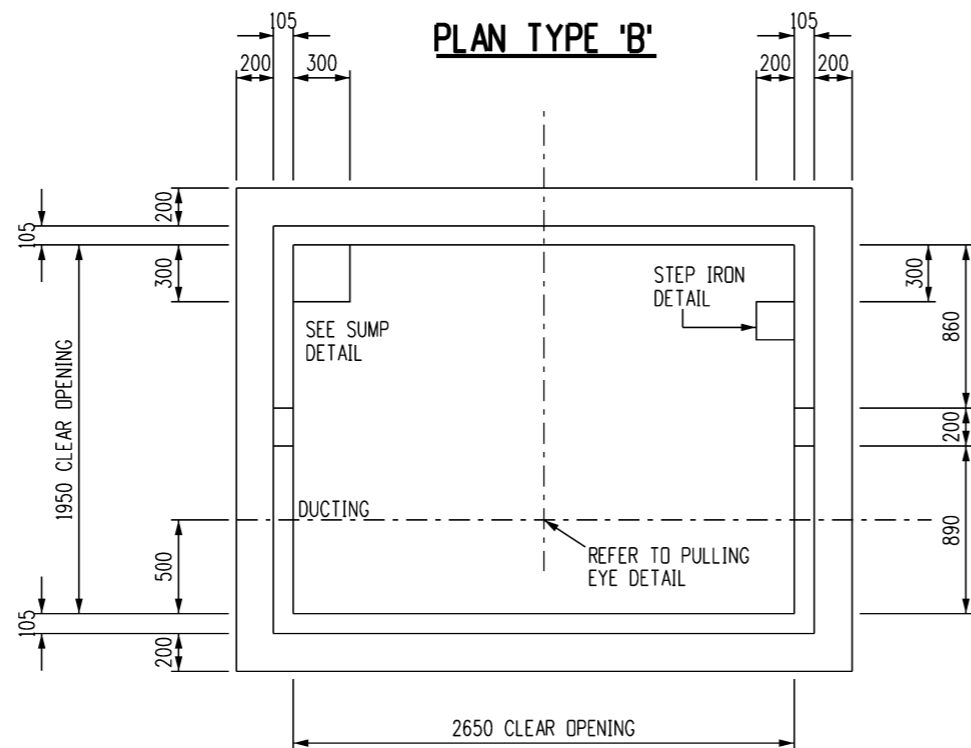
STEP IRON DETAIL



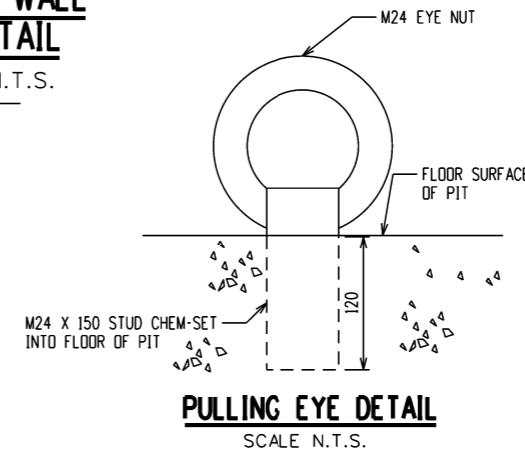
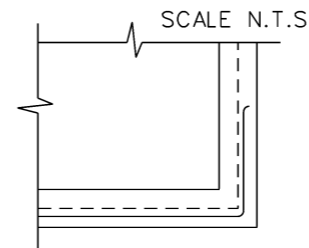
PIT WALL REINFORCING AT CONDUIT ENTRY



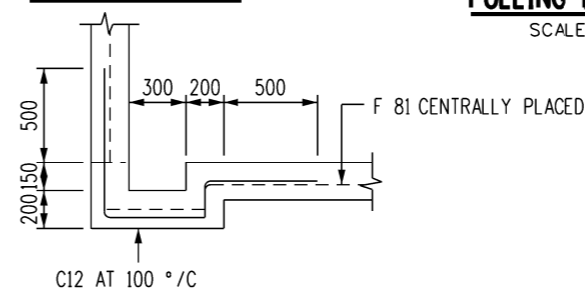
PLAN TYPE 'B'



TYPICAL SIDE END WALL REINFORCING DETAIL



SUMP DETAILS



1. ALL CONCRETE SHALL BE GRADE 20/20
2. PULLING EYE TO BE CONSTRUCTED OF M24 X 150 HOT DIPPED GALVANIZED STUD CHEM-SET INTO PIT FLOOR WITH M24 EYE NUT. REFER PULLING EYE DETAIL.
3. ALL REINFORCEMENT MESH F81 CENTRALLY PLACED IN WALLS.
4. ALL CONDUITS TO BE PROVIDED WITH DRAW WIRE AND CAPPED.
5. PWC TO INSPECT PRIOR TO POURING CONCRETE.
6. 25x6mm COPPER STRAP TO PROJECT 150mm EITHER SIDE OF PIT WALL.

| 1 | REDRAWN IN CAD, DIMENSIONS UPDATED | C.C. | OCT'11 | A.T. | S.C. |
|------------|------------------------------------|------|--------|------|------|
| NO | DESCRIPTION | DRN | DATE | CKD | APPD |
| AMENDMENTS | | | | | |



| | | | | |
|-------------------------------|-----------|--|----------------|------------|
| DES | A.T. | POWER STANDARD DRAWING | | |
| DRN | C.COPPINS | CIVIL STANDARD CABLE PITS PLANS & DETAILS | | |
| CKD | A.T. | | | |
| APPD | A.T. | A3 | DRAWING NUMBER | S02-2-6-10 |
| SCALE | 1:40 | | | |
| ISSUED | JULY'11 | CAD PRODUCT - DO NOT AMEND MANUALLY | | |
| ALL DIM. IN | mm | | | |
| DRAFTING STANDARD TO A.S.1100 | | AMDT | | |