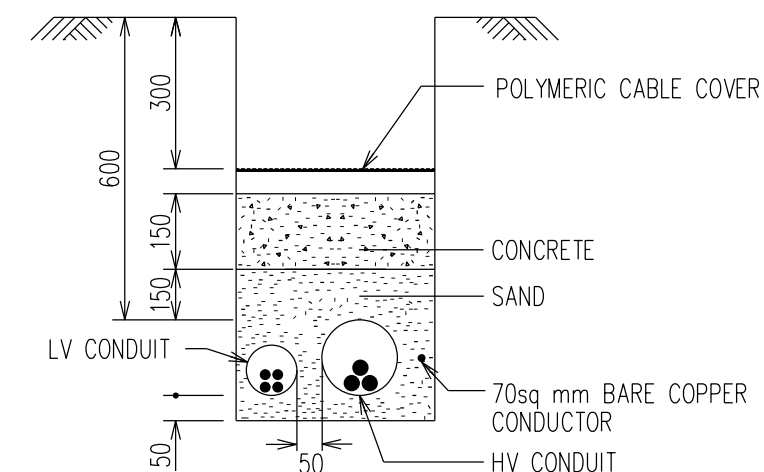
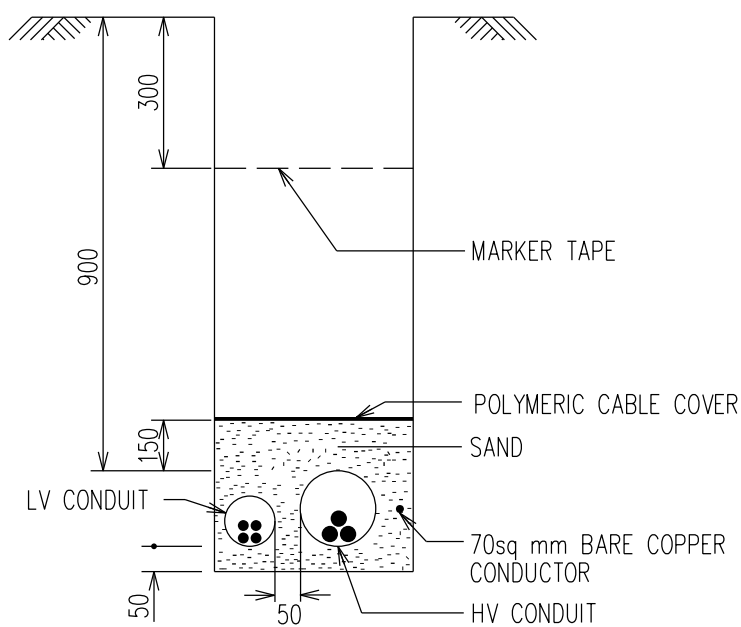


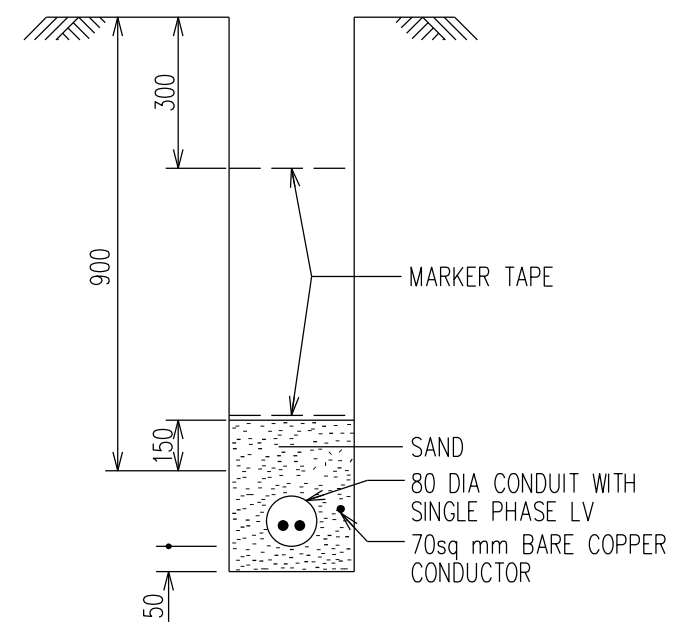
**ROAD CROSSING
(BETWEEN KERBS)**



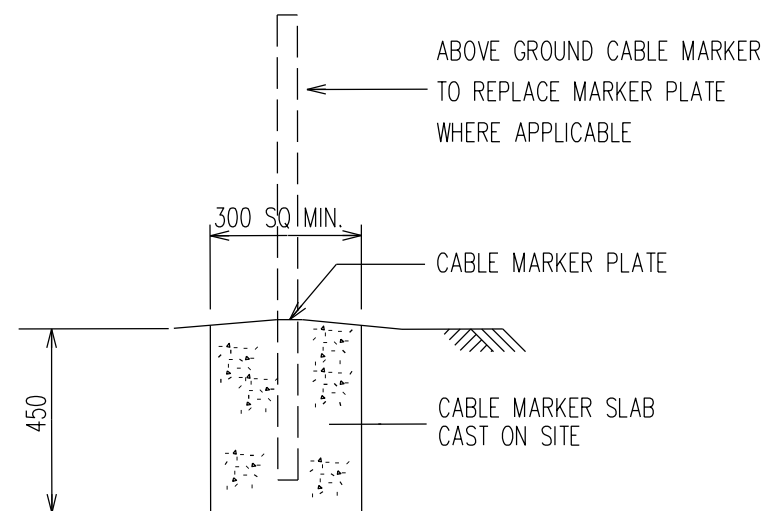
ROCK



DUCTED

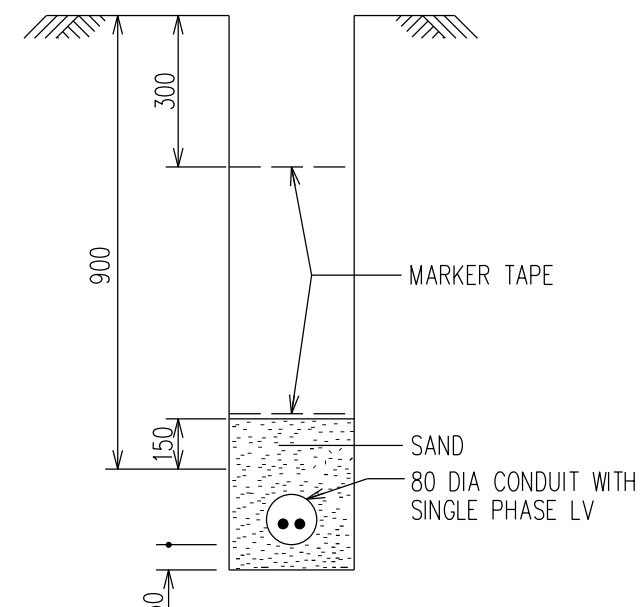


STREET LIGHTING CIRCUITS



CABLE MARKERS

REFER NOTE 13
DRAWING S02-2-6-01



HOUSE SERVICES

NOTE:

1. REFER TO DRAWING S02-2-6-01 FOR ALL TRENCHING NOTES.
2. POLYMERIC CABLE COVERS REQUIRED IN ALL TRENCH SECTIONS OUTSIDE OF THE FOOTPATH ALLOCATION EXCEPT FOR STREETLIGHT AND SERVICE TRENCHES.
3. POLYMERIC CABLE COVERS TO BE INSTALLED OVER AND EXTENDED 2m EITHER SIDE OF CABLE JOINTS AND 2m IN FRONT OF TERMINATIONS (eg PACKAGE SUBSTATIONS AND RMUs)

NO	DESCRIPTION	DRN	DATE	CKD	APPD
12	UPDATE TO STANDARD CABLE IN CONDUIT REPRESENTATION & TITLE CHANGE	P.H.	APR'18		B.C.
11	POLYMERIC CABLE COVERS REPLACED WITH MARKER TAPE AT STREETLIGHT AND HOUSE SERVICE TRENCH, NOTE 2 ADDED, CABLE MARKER SLAB AMENDED	A.T.	OCT'12		B.C.
10	POLYMERIC CABLE COVERS ADDED, EARTH CONDUCTOR MOVED, SAND DEPTH INCREASED	A.T.	APR'11		S.C.
9	CONDUIT SPACING ADDED, ROAD CLEARANCE CHANGED	C.W.M.	NOV'10		S.C.
8	EARTH STRAP CHANGED TO 70sq mm BARE COPPER CONDUCTOR	C.W.M.	DEC'09		S.C.
7	REVISED AND REDRAWN	g.l.	SEPT'91	*	N.S.

PowerWater

NORTHERN TERRITORY

DES	N.S.	POWER STANDARD DRAWING	
DRN	G.I.	CIVIL TRENCH SECTIONS OUTSIDE OF PWC ROAD RESERVE ALLOCATION ALL AREAS	
CKD	N.S.		
APPD	B.TK.		
SCALE	1:15		
ISSUED	JUNE'91	A3	DRAWING NUMBER S02-2-6-03
ALL DIM. IN mm			
DRAFTING STANDARD TO A.S.1100		CAD PRODUCT - DO NOT AMEND MANUALLY	

