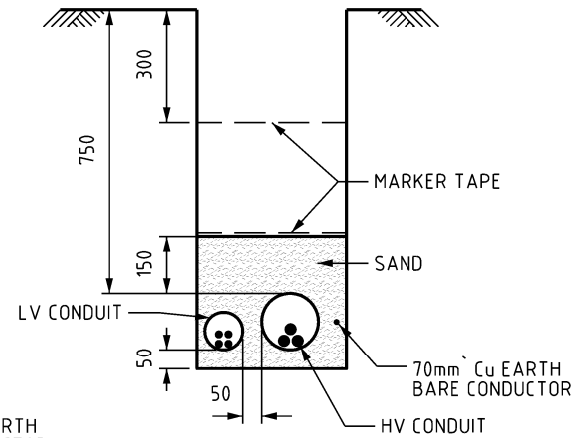


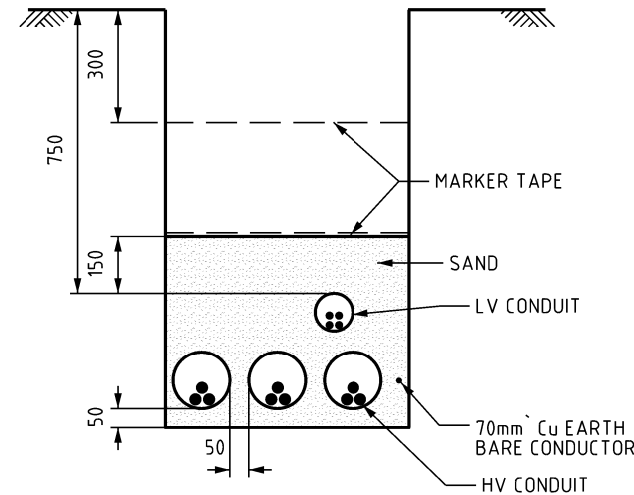
**DIRECT BURIED (LV ONLY)**

1:20



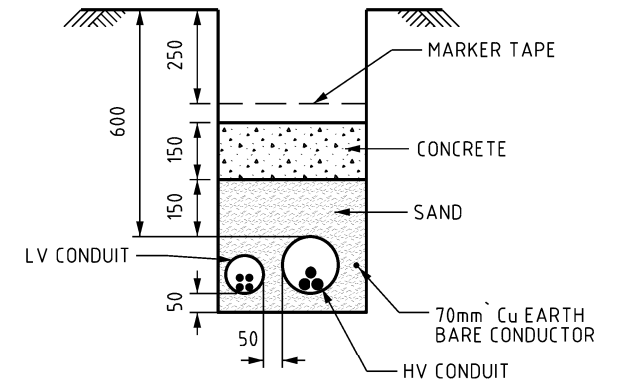
**DUCTED**

1:20



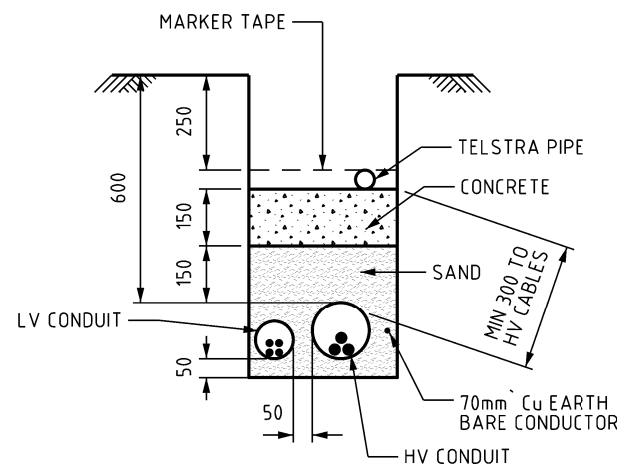
**MULTI LAYERED DUCTS**

1:20



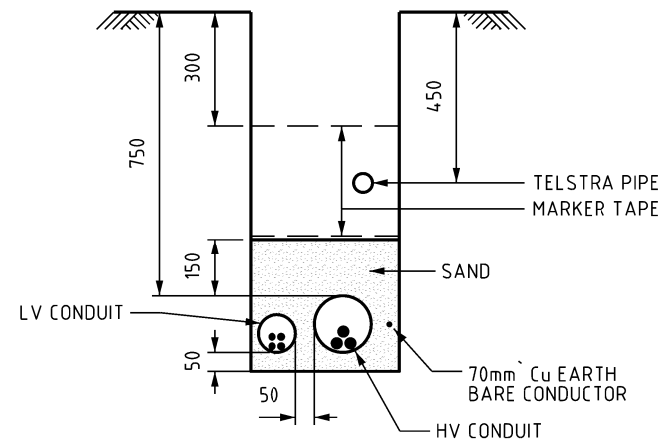
**ROCK**

1:20



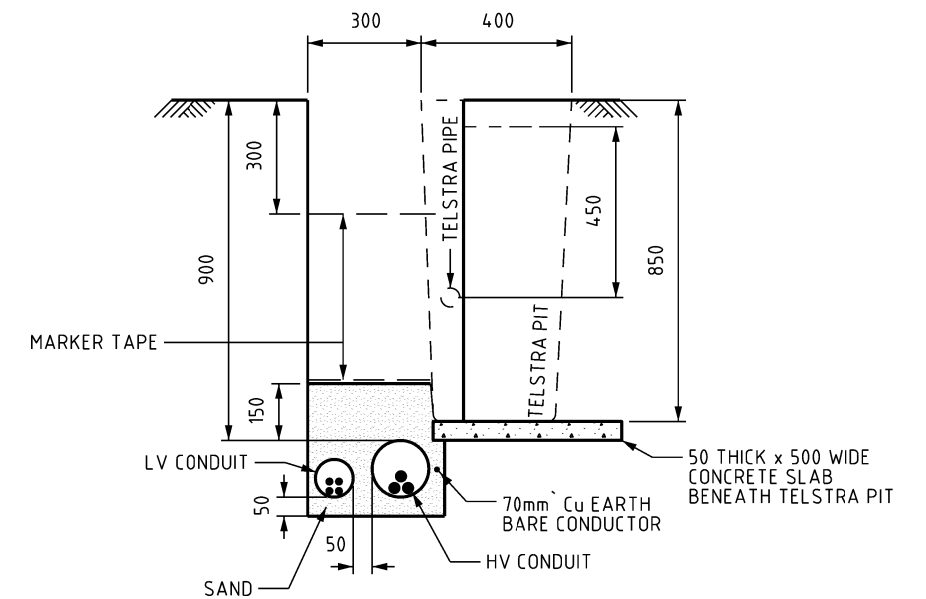
**TELSTRA SHARED IN ROCK**

1:20



**TELSTRA SHARED - DUCTED**

1:20



**SHARED AT TELSTRA PIT**

1:20

**NOTES:**

1. REFER TO DRAWING S02-2-6-01 FOR ALL TRENCHING NOTES
2. CABLES BENEATH TELSTRA EQUIPMENT MUST BE IN CONDUIT
3. 300mm HORIZONTAL SEPARATION BETWEEN ALL DIRECT BURIED CABLES AND TELSTRA
4. REPLACE MARKER TAPE WITH POLYMERIC CABLE COVERS WHEN:
  - WITHIN 15 METERS OF A RMU OR SUBSTATION
  - 7.5 METERS EITHER SIDE OF A CABLE JOINT
  - OUTSIDE OF FOOTPATH ALLOCATION REFER TO S02-2-6-03

DRG NO	DESCRIPTION	NO	DESCRIPTION	DRN	DATE	CKD	APPD
x	x	11	UPDATED ROCK TRENCH DEPTH	C.C.	DEC'18	B.V.	B.C.
		10	UPDATE TO STANDARD CABLE IN CONDUIT REPRESENTATION & TITLE CHANGE	P.H.	APR'18	I.B.	B.C.
		9	NOTE 4 ADDED, EARTH CONDUCTOR RELOCATED, SAND DEPTH INCREASED	A.T.	APR'11	B.C.	S.C.
		8	CONDUIT SPACING ADDED	C.M.	AUG'10	A.T.	S.C.
		7	EARTH STRAP CHANGED TO 70mm Cu CONDUCTOR	J.C.	DEC'08	A.T.	S.C.
		6	REDRAWN, TELSTRA PIT AMENDED & NOTE ADDED	A.S.	JAN'06	-	-
<b>ASSOCIATED DRAWINGS</b>		<b>AMENDMENTS</b>					



DES		POWER STANDARD DRAWING	
DES	C.CAMILLERI	CIVIL TRENCH SECTIONS WITHIN PWC ROAD RESERVE ALL LOCATIONS ALL AREAS	
DRN	A.SCHMID		
CKD	C.CAMILLERI		
APPD	-		
SCALE	1:20		
ISSUED	JANUARY 2006	A3	DRAWING NUMBER S02-2-6-02
ALL DIM. IN mm			
DRAFTING STANDARD TO A.S.1100		CAD PRODUCT - DO NOT AMEND MANUALLY	

